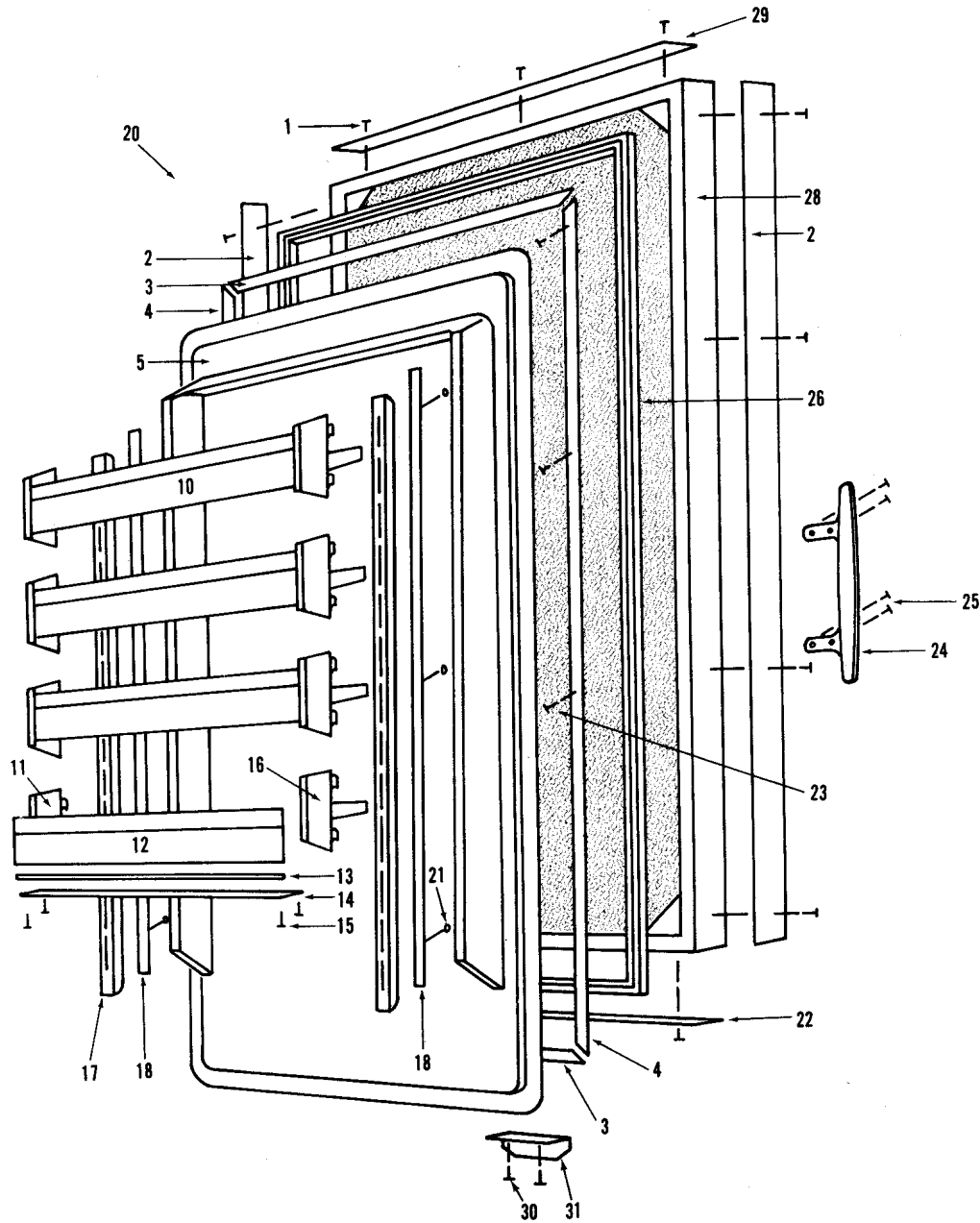


201 FD DOORS

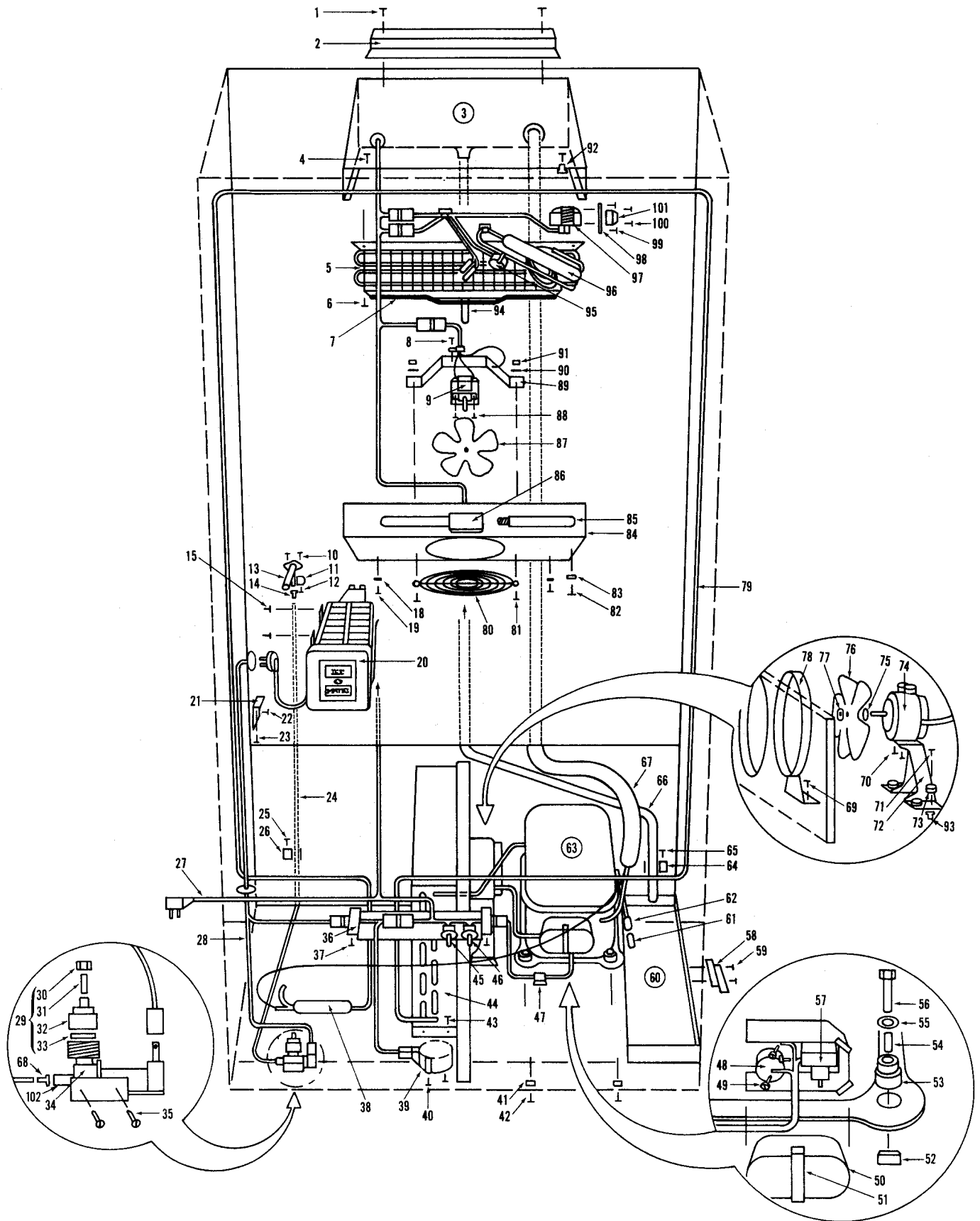


Item #	Part #	Description	Item #	Part #	Description
1	6-20-004-0	Screw, #4-24 x 1/2 Truss Head	19	2-2191-01	Side Door Trim, 2.07 x 59-1/8
2	2-2191-01	Side Door Trim, 2.07 x 59-1/8	20	4-13-049-1	Complete Door Assembly, Right Hand
3	3-42-022-0	Top & Bottom Gasket Retainer, 33.312		4-13-049-2	Complete Door Assembly, Left Hand
4	3-42-025-0	Side Gasket Retainer, 57.875	21	6-15-032-0	Nut, #8-32 Pa1 (D0832075)
5	0-18217-0	Freezer Door Liner	22	2-2181-02	Bottom Door Trim; Right Hand, 2.07 x 34-5/16
10	4-33-011-0	Door Shelf Assembly, 29-1/8		2-2181-01	Bottom Door Trim; Left Hand, 2.07 x 34-5/16
11	3-60-022-2	Left Side Door Shelf End Cap	23	6-20-041-0	Screw, #8 x 1/2 Slot Head Hex
12	3-51-011-0	Door Shelf Guard, 28.375	24	3-51-001-0	Door Handle; Cast, 13-1/2
13	1-2163-00	Door Shelf Support, 25-7/8	25	6-11-001-0	Bolt, #10-24 x 1/2 Flat Head
14	2-8061-01	Door Shelf Tray, 26.81	26	3-21-005-0	Door Gasket, 33.183 x 58.375
15	6-20-039-0	Screw, #6 x 3/8 PH T25 Flat Head	28	0-17047-0	Door Shell
16	3-60-022-1	Right Side Door Shelf End Cap	29	2-2181-01	Top Door Trim; Right Hand, 2.07 x 34-5/16
17	2-2145-09	Door Shelf Ladder, 43-5/16		2-2181-02	Top Door Trim; Left Hand, 2.07 x 34-5/16
18	4-15-021-0	Door Shelf Ladder Holder Assembly, 40.5	30	6-20-023-0	Screw, #8-18 x 1/2 Hex Head
			31	0-18029-0	Switch Depressor, S/S

201 FD SYSTEM VIEW

Item #	Part #	Description	Item #	Part #	Description
1	6-20-002-0	Screw, #7-16 x 1/2 Pan Head	52	1-8010-00	Compressor Mount; Nylon, 7/16" Square
2	0-23196-0	Blower Bracket, 13-7/8	53	3-15-017-0	Rubber Grommet, 15/16 x 1.25
3	0-23182-0	Blower Wrapper	54	6-16-007-0	Sleeve, 5/16 x 7/16 x 7/8
4	6-11-012-0	Bolt, #10-32 x 5/8 Truss Head	55	6-24-005-0	Flat Washer, 5/16
5	3-13-002-0	Freezer Evaporator Coil, 4 x 6 x 14	56	6-20-030-0	Screw, 5/16-18 x 1-1/2 Hex
6	6-20-003-0	Screw, #10-12 x 5/8 Truss Head	57	3-11-051-0	Start Relay (GE3ARR12-WR17)
7	4-32-090-0	Defrost Heater Assembly	58	0-16430-0	Drain Pan Support
8	6-20-014-0	Screw, #8-15 x 3/8 Truss Head	59	6-20-002-0	Screw, #7-16 x 1/2 Pan Head
9	4-20-016-0	Freezer Fan Motor, 23 Watt	60	3-49-005-0	Drain Pan, 1 x 6 x 19
10	6-20-008-0	Screw, #8-15 x 1/2 Truss Head	61	3-09-008-0	Valve Cap
11	6-12-012-0	Tube Clamp, 3/8 Steel	62	3-09-001-0	Base Valve, 1/2 x 1-3/8
12	6-20-033-0	Screw, #8-18 x 3/8 Pan Head	63	3-11-050-0	Compressor (AE1410A)
13	2-6008-02	Water Inlet Tube, 4-5/8"	64	6-12-005-0	Plastic Tube Clamp, 5/8
14	3-52-005-0	Brass Insert	65	6-20-002-0	Screw, #7-16 x 1/2 Pan Head
15	6-20-032-0	Screw, #8-32 x 1/2 Truss Head	66	1-6014-00	Drain Tube, 5/16" x 6'
18	3-21-001-0	Gasket, 1/16 x 3/16 x 1/2	67	4-25-042-0	Freezer Heat Exchanger
19	6-20-012-0	Screw, #10-12 x 1/2 Truss Head	68	3-52-012-0	Brass Insert, 3/16 x 9/32
20	3-14-007-0	Icemaker	69	6-20-043-0	Screw, #8-18 x 1/2
21	3-14-008-0	Icemaker-Canadian Use Only	70	6-20-049-0	Screw, #8-32 x 3/8 Type 25 Slotted Hex
22	625910	Bracket	71	6-20-043-0	Screw, #8-18 x 1/2
22	6-20-014-0	Screw, #8-15 x 3/8 Truss Head	72	2-8016-03	Fan Bracket, 2-1/4
23	488896	Screw, #8-16 x 3/8	73	3-22-016-0	Grommet, 3/16 x 7/16 x 9/32
24	2-6006-01	Plastic Water Tube, 48	74	3-15-028-0	Condenser Fan Motor; 1.5 Watt, 4 Pole
25	6-20-001-0	Screw, #10-12 x 3/4 Pan Head	75	3-21-034-0	Neoprene Silencer, 7/8"
26	6-12-003-0	Plastic Tube Clamp, 1/4	76	3-15-027-0	Fan Blade; 5 Prop, 7"
27	3-02-229-0	Power Cord, Gray	77	6-15-041-0	Nut, 1/4-20
28	4-32-062-0	Icemaker Wiring Harness	78	4-15-057-0	Fan Guard Assembly
29	3-52-011-0	Water Inlet Fitting Assembly	79	2-6002-78	Freezer Frame Tube, 204.563
30	3-52-023-0	Compression Nut	80	3-53-009-0	Fan Grille, 6-1/4" Diameter
31	3-52-022-0	Ball Sleeve	81	6-11-016-0	Bolt, 1/4 x 3/4 Hex Head
32	3-52-021-0	Water Valve Fitting	82	6-20-012-0	Screw, #10-12 x 1/2 Truss Head
33	3-21-003-0	Water Valve Gasket	83	3-21-001-0	Gasket, 1/16 x 3/16 x 1/2
34	3-09-002-0	Solenoid Valve	84	0-16316-0	Blower Cover
35	6-20-002-0	Screw, #7-16 x 1/2 Pan Head	85	3-03-004-0	Light Bulb, 40 Watt
36	0-16413-0	Switch Housing	86	3-05-002-0	Light Socket, 3/4" Double
37	6-20-002-0	Screw, #7-16 x 1/2 Pan Head	87	3-15-006-0	Fan Blade; 5 Prop, 5-1/2
38	3-01-405-0	Drier, 1/4 x .095	88	6-11-027-0	Bolt, #10-32 x 1/4 Round Head
39	3-08-105-0	Defrost Timer	89	0-23222-0	Fan Bracket, 7/8 x 3-1/2 x 8
40	6-20-034-0	Screw, #6-20 x 1/2 Pan Head	90	6-24-007-0	Lock Washer, 1/4 S/S
41	6-15-008-0	Nut, #10-24	91	6-15-013-0	Nut, 1/4-20 Hex S/S
42	6-11-002-0	Bolt, #10-24 x 3/8 Truss Head	92	6-15-009-0	Wellnut, #10-32
43	6-11-002-0	Bolt, #10-24 x 3/8 Truss Head	93	3-52-005-0	Brass Insert
44	3-12-008-0	Condenser, 3-5/16 x 8 x 13-7/8	94	3-01-332-0	Drain Tube Heater, 28.5
45	3-06-002-0	Door Switch, Normally Open (Fan)	95	4-32-093-0	Defrost Terminator Assembly
46	3-06-003-0	Door Switch, Normally Closed (Light)	96	3-01-101-0	Accumulator, 1-1/4 x 8-7/8
47	6-12-003-0	Plastic Tube Clamp	97	3-01-206-0	Control
48	3-11-052-0	Overload (MRT28AGK296)	98	3-01-209-0	Faceplate, 1-7/8 x 4-5/16
49	6-11-034-0	Screw, Slot Head	99	6-20-014-0	Screw, #8-15 x 3/8 Truss Head
50	3-11-062-0	Terminal Cover	100	6-11-005-0	Bolt, #8-32 x 3/8 Truss Head
51	3-11-063-0	Terminal Cover Strap	101	3-01-241-0	Control Knob
			102	3-52-003-0	Icemaker Nut; Nylon, 1/4

201 FD SYSTEM VIEW



201 FD COSMETIC VIEW

Item #	Part #	Description	Item #	Part #	Description
1	6-20-021-0	Screw, #8-32 x 1/2 Flat Head	38	4-18-013-0	Ice Bucket Assembly
2	2-2195-08	Left Side Main Frame Extrusion, Right Hand	39	3-41-004-0	Ice Bucket Handle
	2-2195-09	Left Side Main Frame Extrusion, Left Hand	40	2-2195-01	Right Side Main Frame Extrusion, Right Hand Door
4	6-20-023-0	Screw, #8-18 x 1/2 Hex Head		2-2195-02	Right Side Main Frame Extrusion, Left Hand Door
5	0-16426-0	Back Cover	41	6-22-001-0	Simmons Fastener, 1/2
6	4-11-002-2	Left Base Assembly	43	6-20-028-0	Screw, #8-18 x 1 Pan Head
7	3-57-004-0	Leveling Leg, 3/8-18 x 1-1/2	44	6-22-012-0	Screw Grommet, 3/8 x 3/4
8	3-42-012-0	Grille Spring, 1/4 x 9-3/8	45	6-20-045-0	Screw, #8-1 Type AB Flat Head
9	6-20-001-0	Screw, #10-12 x 3/4 Pan Head	46	3-41-002-1	Basket Slide, Cabinet Right
10	6-22-004-0	Rubber Bumper		3-41-002-2	Basket Slide, Cabinet Left
11	6-20-002-0	Screw, #7-16 x 1/2 Pan Head	47	2-8073-15	Top & Bottom Breaker Strip, 32-7/8
12	2-4013-08	Unit Fan Shroud	49	6-20-032-0	Screw, #8-32 x 1/2 Truss Head
13	4-28-020-0	Compressor Shroud Assembly	50	3-42-034-0	#8 Nylon Screw Insulator
14	0-16425-0	Unit Base	51	2-2216-04	Left Side Cantilever Shelf Ladder
15	6-20-001-0	Screw, #10-12 x 3/4 Pan Head	52	2-2216-03	Right Side Cantilever Shelf Ladder
16	4-11-002-1	Right Base Assembly	53	6-20-014-0	Screw, #8-15 x 3/8 Truss Head
17	6-11-023-0	Bolt, #10-24 x 1/2 Pan Head	54	0-23205-0	Freezer Duct Cover
18	6-11-021-0	Bolt, #10-24 x 1/2 Flat Head	55	2-8073-13	Side Breaker Strip, 57-1/8
19	3-54-037-0	Bottom Cabinet Hinge, Right Hand	56	6-20-008-0	Screw, #8-15 x 1/2 Truss Head
	3-54-038-0	Bottom Cabinet Hinge, Left Hand	57	2-8073-15	Top & Bottom Breaker Strip
20	6-11-001-0	Bolt, #10-24 x 1/2 Flat Head (Hinge Screw)	58	6-20-025-0	Screw, #8-18 x 1/4 Pan Head
21	6-20-007-0	Screw, #4-24 x 3/8 Flat Head (Shipping Screw)	60	4-15-048-0	Blower Baffle Assembly
22	3-54-019-0	Bottom Door Hinge, Right Hand	61	2-8074-01	Trim Mounting Strip
	3-54-020-0	Bottom Door Hinge, Left Hand	62	3-51-512-0	Baffle Extrusion, 31.63
23	6-24-016-0	Nylon Washer, 5/8 x 380-1/16 (Hinge Spacer)	63	3-60-030-0	Cantilever Shelf, 31"
	6-24-017-0	Nylon Washer, 5/8 x 380-3/32 (Hinge Spacer)	64	3-42-007-0	Hinge Bearing
24	3-42-007-0	Hinge Bearing, 1/4 x 5/8	65	6-20-007-0	Screw, #4-24 x 3/8 Flat Head
25	0-16272-0	Kickplate, 35-1/2	66	3-54-034-0	Right Side Upper Door Hinge
26	6-15-014-0	Spring Grip Nut, 1/8		3-54-035-0	Left Side Upper Door Hinge
27	3-58-010-0	Sub-Zero Name Plate	67	0-18256-0	Top Cabinet Hinge
28	4-24-001-0	Grille Assembly	68	6-11-007-0	Bolt, 1/4-20 x 5/8 Hex Head
29	6-20-008-0	Screw, #8-15 x 1/2 Truss Head	69	2-2107-01	Main Frame Angle
30	0-16410-0	Grille Cover, Right Hand	70	2-2195-15	Top Main Frame Extrusion, 36 (Right Hand Door)
	0-16411-0	Grille Cover, Left Hand		2-2195-16	Top Main Frame Extrusion, 36 (Left Hand Door)
31	4-18-043-0	Roll Out Basket Assembly	71	6-11-001-0	Bolt, #10-24 x 1/2 Flat Head UC
32	2-2124-01	Basket Handle, 29-1/4	72	4-15-076-1	Bottom Cabinet Hinge, Right Hand
33	3-60-035-0	Stationary Shelf, 31"		4-15-076-2	Bottom Cabinet Hinge, Left Hand
34	3-41-002-4	Basket Slide, Drawer Left	73	6-11-027-0	Bolt, #10-32 x 1/4 Round Head
	3-41-002-3	Basket Slide, Drawer Right	74	3-42-069-0	Bottom Door Hinge Cam, Right or Left Hand
35	6-11-009-0	Bolt, #10-24 x 1/2 Truss Head	75	0-18238-1	Bottom Door Hinge, Right Hand
36	6-24-004-0	Flat Washer, 1/4		0-18238-2	Bottom Door Hinge, Left Hand
37	6-24-003-0	Plastic Washer, 3/16 x .100	76	3-42-068-1	Bottom Cabinet Hinge Cam, Right Hand
				3-42-068-2	Bottom Cabinet Hinge Cam, Left Hand

201 FD COSMETIC VIEW

