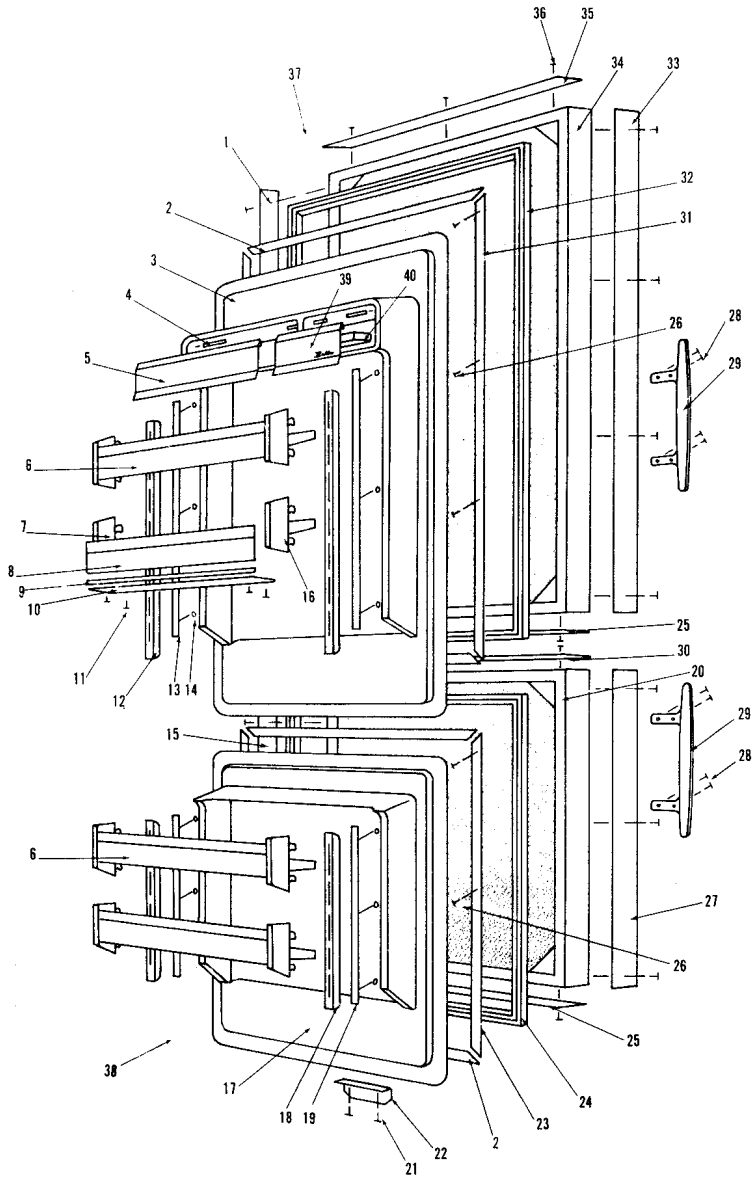


211 RFD DOORS

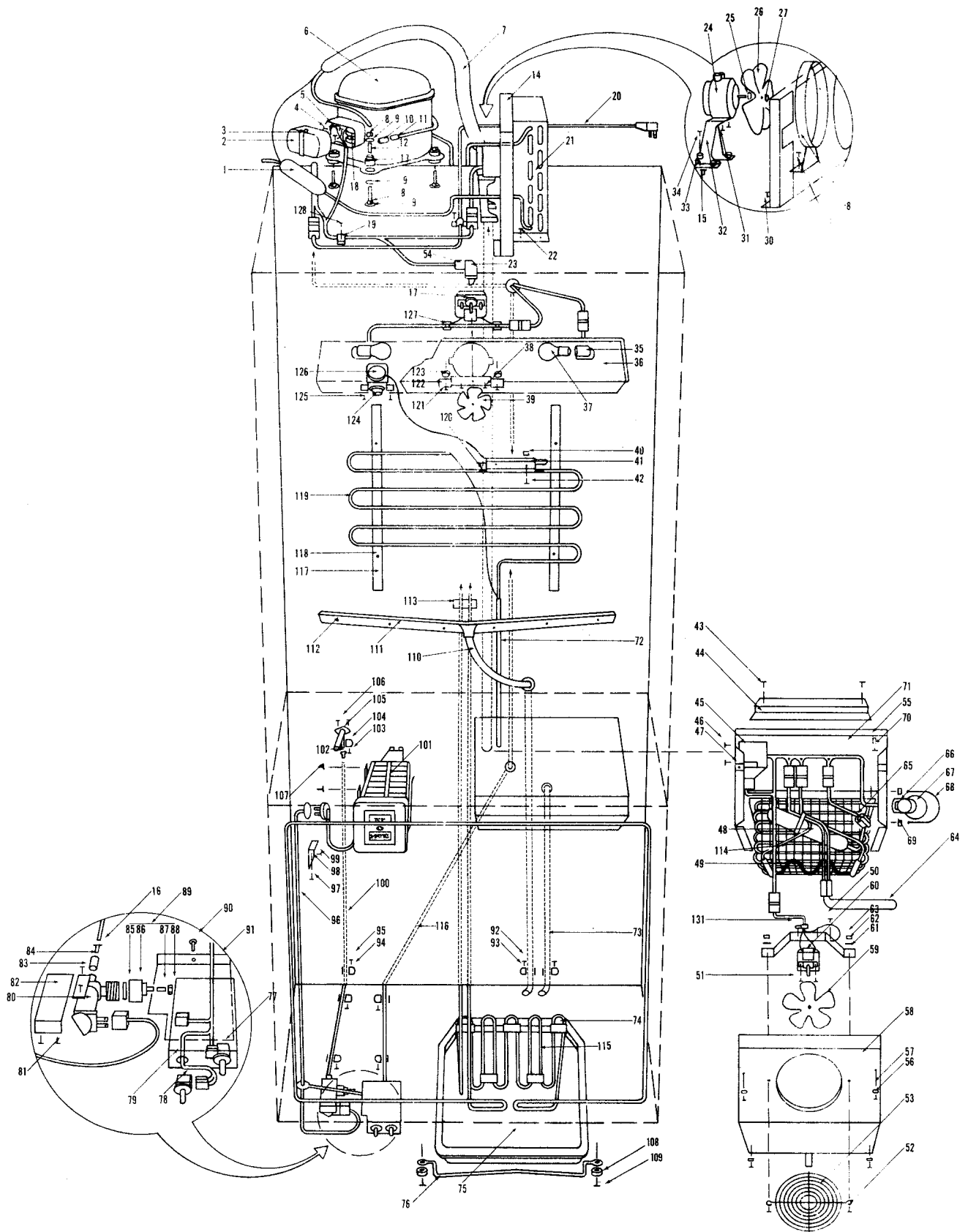


| Item # | Part # | Description | Item # | Part # | Description |
|--------|------------|--|--------|------------|---|
| 1 | 2-2182-03 | Refrigerator Side Door Trim, 2.07 x 41-5/8 | 24 | 3-21-007-0 | Freezer Door Gasket, 27.813 x 25.250 |
| 2 | 3-42-020-0 | Ref. & Freezer Top & Bottom Gasket Retainer, 27.062 | 25 | 2-2191-07 | Ref. & Freezer Bottom Door Trim; Right Hand, 2.07 x 28-5/16 |
| 3 | 0-18225-0 | Refrigerator Door Liner | 26 | 2-2191-06 | Ref. & Freezer Bottom Door Trim; Left Hand, 2.07 x 28-5/16 |
| 4 | 3-42-005-0 | Butter Door Rod, 3/16 x 2 | 27 | 6-20-041-0 | Screw, #8 x 1/2 Slot Head Hex |
| 5 | 3-48-034-0 | Dairy Door, 4.875 x 14.25 | 28 | 2-2182-04 | Freezer Side Door Trim, 2.07 x 25-9/16 |
| 6 | 4-33-012-0 | Door Shelf Assembly, 23-1/8 | 28 | 6-11-001-0 | Bolt, #10-24 x 1/2 Flat Head |
| 7 | 3-60-022-2 | Left Side Door Shelf End Cap | 29 | 3-51-001-0 | Door Handle; Cast, 13-1/2 |
| 8 | 3-51-012-0 | Door Shelf Guard, 22.375 | 30 | 2-2111-17 | Freezer Top Door Trim; Right Hand, 2 x 28-5/16 |
| 9 | 1-2165-00 | Door Shelf Support, 19-7/8 | 31 | 2-2111-18 | Freezer Top Door Trim; Left Hand, 2 x 28-5/16 |
| 10 | 2-8062-01 | Door Shelf Tray, 20.81 | 32 | 3-42-023-0 | Refrigerator Door Side Gasket Retainer, 40.438 |
| 11 | 6-20-039-0 | Screw, #6 x 3/8 T25 Flat Head Phillips | 32 | 3-21-006-0 | Refrigerator Door Gasket, 27.813 x 41.125 |
| 12 | 2-2145-03 | Refrigerator Door Shelf Ladder, 22-3/16 | 33 | 2-2182-03 | Refrigerator Side Door Trim, 2.07 x 41-5/8 |
| 13 | 4-15-018-0 | Refrigerator Door Shelf Ladder Holder Assembly, 19.5 | 34 | 0-17055-0 | Refrigerator Door Shell |
| 14 | 6-15-032-0 | Nut, #8-32 Pal (D0832075) | 35 | 2-2191-06 | Refrigerator Top Door Trim; Right Hand, 2.07 x 28-5/16 |
| 15 | 2-2182-04 | Freezer Side Door Trim, 2.07 x 25-9/16 | 36 | 2-2191-07 | Refrigerator Top Door Trim; Left Hand, 2.07 x 28-5/16 |
| 16 | 3-60-022-1 | Right Side Door Shelf End Cap | 37 | 6-20-004-0 | Screw, #4-24 x 1/2 Truss Head |
| 17 | 0-18228-0 | Freezer Door Liner | 38 | 4-13-044-1 | Complete Refrigerator Door Assembly, Right Hand |
| 18 | 2-2145-02 | Freezer Door Shelf Ladder, 14.25 | 38 | 4-13-044-2 | Complete Refrigerator Door Assembly, Left Hand |
| 19 | 4-15-017-0 | Freezer Door Shelf Ladder Holder Assembly, 12.5 | 39 | 4-13-050-1 | Complete Freezer Door Assembly, Right Hand |
| 20 | 0-17058-0 | Freezer Door Shell | 40 | 4-13-050-2 | Complete Freezer Door Assembly, Left Hand |
| 21 | 6-20-002-0 | Screw, #7-16 x 1/2 Pan Head | | 3-48-036-0 | Butter Door |
| 22 | 0-18028-0 | Switch Depressor, Black | | 3-44-001-0 | Butter Dish |
| 23 | 3-42-019-0 | Freezer Door Side Gasket Retainer, 24.562 | | | |

211 RFD SYSTEM VIEW

| Item # | Part # | Description | Item # | Part # | Description |
|--------|------------|--|--------|------------|---|
| 1 | 3-01-405-0 | Drier, 1/4 x .095 | 65 | 4-32-093-0 | Defrost Terminator Assembly |
| 2 | 3-11-062-0 | Terminal Cover | 66 | 3-05-003-0 | Light Sockets |
| 3 | 3-11-063-0 | Terminal Cover Strap | 67 | 3-03-003-0 | Light Bulb, 40 Watt |
| 4 | 6-11-034-0 | Screw, Slot Head | 68 | 3-03-002-0 | Light Guard, Wire |
| 5 | 3-11-052-0 | Overload (MRT-28AGK-296) | 69 | 6-15-012-0 | Nut, #6-32 Hex |
| 6 | 3-11-050-0 | Compressor (AE1410A) | 70 | 6-11-012-0 | Bolt, #10-32 x 5/8 Truss Head |
| 7 | 4-25-043-0 | Heat Exchanger Assembly | 71 | 0-23164-0 | Blower Wrapper |
| 8 | 6-15-022-0 | Nut, 5/16-18 Hex | 72 | 3-04-017-0 | Tube, .50 x .063 x 21 Clear |
| 9 | 6-24-005-0 | Flat Washer, 5/16 | 73 | 1-6014-00 | Freezer Drain Tube |
| 10 | 3-09-008-0 | Valve Cap | 74 | 6-22-021-0 | Stand-Off Heater |
| 11 | 3-09-001-0 | Base Valve, 1/2 x 1-3/8 | 75 | 3-49-006-0 | Drain Pan, 1.3 x 13.1 x 20 |
| 12 | 6-16-007-0 | Sleeve, 5/16 x 7/16 x 7/8 | 76 | 3-42-076-0 | Drain Pan Holder |
| 13 | 3-15-017-0 | Rubber Grommet, 15/16 x 1.25 | 77 | 3-06-003-0 | Door Switch, Normally Closed (Light) |
| 14 | 2-4013-09 | Unit Fan Shroud | 78 | 3-06-002-0 | Door Switch, Normally Open (Fan) |
| 15 | 3-52-012-0 | Brass Insert, 3/16 x 9/32 | 79 | 0-16414-0 | Switch Housing |
| 16 | 3-52-005-0 | Brass Insert | 80 | 3-09-002-0 | Solenoid Valve |
| 17 | 4-20-017-0 | Refrigerator Fan Motor, 23 Watt | 81 | 6-20-001-0 | Screw, #10-12 x 3/4 Pan Head |
| 18 | 3-11-051-0 | Start Relay (GE3ARR12-WR17) | 82 | 0-16200-0 | Solenoid Bracket |
| 19 | 6-12-003-0 | Plastic Tube Clamp, 1/4 | 83 | 6-20-006-0 | Screw, #8-32 x 1/2 Pan Head |
| 20 | 3-02-229-0 | Gray Power Cord | 84 | 3-52-003-0 | Icemaker Nut; Nylon, 1/4 |
| 21 | 3-12-014-0 | Condenser | 85 | 3-21-003-0 | Water Valve Gasket |
| 22 | 6-20-002-0 | Screw, #7-16 x 1/2 Pan Head | 86 | 3-52-021-0 | Water Valve Fitting |
| 23 | 4-20-034-0 | Light Switch Kit | 87 | 3-52-022-0 | Ball Sleeve |
| 24 | 3-15-028-0 | Condenser Fan Motor; 1.5 Watt, 4 Pole | 88 | 3-52-023-0 | Compression Nut |
| 25 | 3-21-034-0 | Neoprene Silencer, 7/8" | 89 | 3-52-011-0 | Water Inlet Fitting Assembly |
| 26 | 3-15-027-0 | Fan Blade; 7", 5 Prop | 90 | 6-20-006-0 | Screw, #8-32 x 1/2 Pan Head |
| 27 | 6-15-041-0 | 1/4-20 Nut | 91 | 0-16429-0 | Housing Cover |
| 28 | 4-15-059-0 | Fan Guard Assembly | 92 | 6-20-001-0 | Screw, #10-12 x 3/4 Pan Head |
| 29 | 6-20-001-0 | Screw, #10-12 x 3/4 Pan Head | 93 | 6-12-021-0 | U-Clamp, 5/8 |
| 30 | 6-20-001-0 | Screw, #10-12 x 2/4 Pan Head | 94 | 6-12-003-0 | Plastic Tube Clamp, 1/4 |
| 31 | 6-20-049-0 | Screw, #8-32 x 3/8 Slotted Hex Type 25 | 95 | 6-20-001-0 | Screw, #10-12 x 3/4 Pan Head |
| 32 | 1-8017-00 | Fan Bracket, 3-1/2 | 96 | 4-32-062-0 | Icemaker Wiring Harness |
| 33 | 3-22-016-0 | Grommet, 3/16 x 7/16 x 9/32 | 97 | 488646 | Screw |
| 34 | 6-20-028-0 | Screw, #8-18 x 1 Pan Head | 98 | 625910 | Bracket |
| 35 | 3-05-003-0 | Light Socket | 99 | 6-20-014-0 | Screw, #8-15 x 3/8 Truss Head |
| 36 | 0-21100-0 | Refrigerator Fan Shroud | 100 | 2-6006-01 | Plastic Water Tube, 48 |
| 37 | 3-03-003-0 | Light Bulb, 40 Watt | 101 | 3-14-007-0 | Icemaker |
| 38 | 6-11-027-0 | Bolt, #10-32 x 1/4 Round Head | | 3-14-008-0 | Icemaker-Canadian Use Only |
| 39 | 3-15-021-0 | Fan Blade, 4" | 102 | 3-52-005-0 | Brass Insert |
| 40 | 6-15-003-0 | Nut, #10-24 Hex S.S. | 103 | 6-20-033-0 | Screw, #8-18 x 3/8 Pan Head |
| 41 | 4-16-012-0 | Control Clamp | 104 | 6-12-012-0 | Tube Clamp, 3/8 CPS |
| 42 | 6-11-003-0 | Bolt, #10-24 x 1/2 Round Head | 105 | 2-6008-02 | Water Inlet Tube, 4-5/8 |
| 43 | 6-20-002-0 | Screw, #7-16 x 1/2 Pan Head | 106 | 6-20-008-0 | Screw, #8-15 x 1/2 Truss Head |
| 44 | 0-23197-0 | Blower Bracket, 8-7/8 | 107 | 6-20-032-0 | Screw, #8-32 x 1/2 Truss Head |
| 45 | 3-08-105-0 | Defrost Timer | 108 | 3-42-067-0 | Screw Spacer |
| 46 | 6-20-034-0 | Screw, #6-20 x 1/2 Pan Head | 109 | 6-20-044-0 | Screw, #10-12 x 11/16 Flat Head |
| 47 | 6-15-007-0 | Nut, #10A Self Retaining U-Type | 110 | 1-6014-00 | Refrigerator Drain Tube |
| 48 | 3-01-101-0 | Accumulator, 1-1/4 x 8-7/8 | 111 | 4-19-005-0 | Drain Trough Assembly, 1.75 x 30.00 |
| 49 | 4-32-091-0 | Defrost Heater Assembly | 112 | 6-20-012-0 | Screw, #10-12 x 1/2 Truss Head |
| 50 | 6-18-001-0 | Pop Rivet | 113 | 6-12-023-0 | Double 1/4 Tube Clamp |
| 51 | 6-11-027-0 | Bolt, #10-32 x 1/4 Round Head | 114 | 3-13-003-0 | Freezer Evaporator Coil, 4-1/2 x 6 x 9 |
| 52 | 6-11-016-0 | Bolt, 1/4 x 3/4 Hex Head | 115 | 2-6041-01 | Condensate Heater Loop |
| 53 | 3-53-009-0 | Fan Grille, 6-1/4 | 116 | 4-32-124-0 | Cabinet Wiring Harness |
| 54 | 3-02-227-0 | Refrigerator Switch Plug | 117 | 2-8040-02 | Evaporator Holder, 14-15/16 |
| 55 | 6-15-009-0 | Wellnut, #10-32 | 118 | 6-20-009-0 | Screw, #8-15 x 1-3/4 Truss Head |
| 56 | 6-20-012-0 | Screw, #10-12 x 1/2 Truss Head | 119 | 2-6005-12 | Refrigerator Evaporator Tube, 5/16 x 16.8 |
| 57 | 3-21-001-0 | Gasket, 1/16 x 3/16 x 1/2 | 120 | 3-04-003-0 | Control, Plastic Sleeve |
| 58 | 0-16218-1 | Blower Cover Without Light Hole | 121 | 6-11-032-0 | Bolt, #10-32 x 3/4 Truss Head |
| 59 | 3-15-006-0 | Fan Blade; 5 Prop, 5-1/2 | 122 | 0-21129-0 | Refrigerator Fan Bracket |
| 60 | 4-20-016-0 | Freezer Fan Motor, 23 Watt | 123 | 6-15-033-0 | Wellnut, #10-32 |
| 61 | 0-23222-0 | Fan Bracket, 7/8 x 3-1/2 x 8 | 124 | 3-01-232-0 | Control Knob |
| 62 | 6-24-007-0 | Lock Washer, 1/4 S.S. | 125 | 6-11-005-0 | Bolt, #8-32 x 3/8 Truss Head |
| 63 | 6-15-013-0 | Nut, 1/4-20 Hex S.S. | 126 | 3-01-234-1 | Refrigerator Control |
| 64 | 3-01-332-0 | Drain Heater, 28.5 | 127 | 6-12-016-0 | Plastic Cord Clip, 5/16 x 1/2 |
| | | | 128 | 6-20-001-0 | Screw, #10-12 x 3/4 Pan Head |

211 RFD SYSTEM VIEW



211 RFD COSMETIC VIEW

| Item # | Part # | Description | Item # | Part # | Description |
|--------|------------|--|--------|------------|--|
| 1 | 4-28-028-0 | Unit Shroud Assembly | 58 | 3-42-030-0 | Center Crisper Support, .29 x .31 x 6.25 |
| 2 | 6-20-023-0 | Screw, #8-18 x 1/2 Hex Head | 59 | 3-48-054-0 | Crisper Front Only (Meat), 11.531 |
| 3 | 0-16452-0 | Back Cover & Shroud | 60 | 4-18-046-0 | Crisper Basket Assembly (Meat), 11.88 x 15.95 |
| 4 | 6-20-023-0 | Screw, #8-18 x 1/2 Hex Head | 61 | 3-48-065-0 | Crisper Front Only (Vegetable), 11.531 |
| 5 | 2-2195-10 | Left Side Main Frame Extrusion (Right Hand Door) | 62 | 3-48-072-0 | Crisper Handle, .44 x 1.53 x 11.374 |
| | 4-12-024-0 | Left Side Main Frame Extrusion (Left Hand Door) | | 3-41-027-0 | Crisper Basket Only, 11.88 x 15.96 x 5.68 |
| 6 | 6-20-021-0 | Screw, #8-32 x 1/2 Flat Head | | 4-18-047-0 | Crisper Basket Assembly (Vegetable), 11.88 x 15.95 |
| 7 | 6-20-015-0 | Screw, #10-24 x 5/8 Round Head | 63 | 3-21-023-0 | Front Crisper Seal, 24.18 |
| 8 | 3-54-043-0 | Freezer Door Lower Hinge, Left Side | 64 | 4-15-050-0 | Crisper Glass Assembly, 25.19 x 15.50 |
| | 3-54-042-0 | Freezer Door Lower Hinge, Right Side | 65 | 4-15-038-0 | Crisper Trim Assembly, 25.375 |
| 9 | 6-11-001-0 | Bolt, #10-24 x 1/2 Flat Head (Hinge Screw) | 66 | 3-60-031-0 | Cantilever Shelf, 24-3/4 |
| 10 | 6-20-007-0 | Screw, #4-24 x 3/8 Flat Head (Shipping Screw) | 67 | 6-20-044-0 | Screw, #10 x 11/16 Type B Flat Head |
| 11 | 3-55-014-0 | 1/4-20 Self Thread Insert | 68 | 3-42-032-0 | Roller |
| 12 | 3-54-041-0 | Bottom Cabinet Hinge | 69 | 3-41-015-0 | Egg Tray |
| 13 | 6-24-016-0 | Nylon Washer, 5/8 x 380-1/16 (Hinge Spacers) | 70 | 3-45-016-0 | U-Clip |
| | 6-24-017-0 | Nylon Washer, 5/8 x 380-3/32 (Hinge Spacers) | 71 | 3-58-002-0 | Sub-Zero Nameplate |
| 15 | 6-11-023-0 | Bolt, #10-24 x 1/2 Pan Head | 72 | 6-15-014-0 | Spring Grip Nut, 1/8 |
| 16 | 6-24-007-0 | Lock Washer, 1/4 S/S | 73 | 6-20-036-0 | Screw, #6-32 x 7/8 Truss Head (Grille Screw) |
| 17 | 6-11-016-0 | Bolt, 1/4 x 3/4 Hex Head | 74 | 4-15-032-0 | Diffuser Glass Assembly, 5.25 x 25.313 |
| 18 | 3-54-027-0 | Door Closer | 75 | 4-24-002-0 | Grille Assembly, 11 x 30 |
| 19 | 0-18027-2 | Left Side Door Closer Cover | 76 | 6-20-007-0 | Screw, #4-24 x 3/8 Flat Head |
| | U-18027-1 | Right Side Door Closer Cover | 77 | 0-18256-0 | Top Cabinet Hinge |
| 20 | 6-24-006-0 | Star Washer, 1/4 | 78 | 6-11-007-0 | Bolt, 1/4-20 x 5/8 Hex Head |
| 21 | 6-20-001-0 | Screw, #10-12 x 3/4 Pan Head | 79 | 6-20-024-0 | Screw, #8-32 x 3/8 Phillips Head |
| 22 | 3-57-002-0 | Rear Leveling Leg, 3/8-18 x 4 | 80 | 2-2107-01 | Main Frame Angle, 1.5 x .25 |
| 23 | 4-11-003-2 | Left Base Assembly | 81 | 3-54-034-0 | Refrigerator Top Door Hinge, Right Hand |
| 24 | 3-57-004-0 | Front Leveling Leg, 3/8-18 x 1-1/2 | | 3-54-035-0 | Refrigerator Top Door Hinge, Left Hand |
| 25 | 6-20-001-0 | Screw, #10-12 x 3/4 Pan Head | 82 | 3-42-007-0 | Hinge Bearing |
| 26 | 4-11-003-1 | Right Base Assembly | 83 | 2-2195-23 | Top Main Frame Extrusion; Right Hand, 30 |
| 27 | 2-8073-07 | Freezer Right Side Breaker Strip, 24-1/8 | 84 | 2-2195-24 | Top Main Frame Extrusion; Left Hand, 30 |
| | 2-8073-08 | Freezer Left Side Breaker Strip, 24-1/8 | 85 | 3-45-012-0 | Grille Spring, 1/4 x 9-3/8 |
| 28 | 3-41-002-1 | Basket Slide, Cabinet Right | 86 | 6-20-001-0 | Screw, #10-12 x 3/4 Pan Head |
| | 3-41-002-2 | Basket Slide, Cabinet Left | 86 | 6-20-002-0 | Screw, #7-16 x 1/2 Pan Head |
| 29 | 6-20-045-0 | Screw, #8 x 1 Type AB Flat Head | 87 | 0-16435-0 | Fan Shroud Front Bracket |
| 30 | 6-20-014-0 | Screw, #8-15 x 3/8 Truss Head | 88 | 4-28-022-0 | Compressor Shroud Assembly |
| 31 | 6-22-001-0 | Simmons Fastener, 1/2 | 89 | 6-20-002-0 | Screw, #7-16 x 1/2 Pan Head |
| 32 | 6-22-012-0 | Screw Grommet, 3/8 x 3/4 | 90 | 2-8073-14 | Refrigerator Top Breaker Strip, 26-7/8 |
| 33 | 6-11-009-0 | Bolt, #10-24 x 1/2 Truss Head | 91 | 6-22-019-0 | Plastic Support |
| 34 | 6-24-004-0 | Flat Washer, 1/4 | 92 | 2-8073-05 | Refrigerator Right Side Breaker Strip, 39-13/16 |
| 35 | 6-24-003-0 | Plastic Washer, 3/16 x .100 | 93 | 2-8073-06 | Refrigerator Left Side Breaker Strip, 39-13/16 |
| 36 | 3-57-003-0 | Leveling Rod | | 4-12-021-0 | Right Side Main Frame Extrusion (Right Hand Door) |
| 37 | 0-16431-0 | Kickplate, 29-1/2 | | 2-2195-04 | Right Side Main Frame Extrusion (Left Hand Door) |
| 38 | 4-18-055-0 | Roll Out Basket Assembly | 94 | 2-2218-01 | Right Side Refrigerator Cantilever Shelf Ladder |
| 39 | 2-2202-01 | Roll Out Basket Handle, 23 | 95 | 6-20-014-0 | Screw, #8-15 x 3/8 Truss Head |
| 40 | 6-22-006-0 | Simmons Fastener U-Type | 96 | 6-22-007-0 | Support, .44 x .63 x 1.53 |
| 41 | 2-8073-14 | Freezer Bottom Breaker Strip, 26-7/8 | 97 | 6-20-014-0 | Screw, #8-15 x 3/8 Truss Head |
| 42 | 3-60-010-0 | Ice Bucket Shelf, 10 x 10.25 | 98 | 2-2218-02 | Left Side Refrigerator Cantilever Shelf Ladder |
| 43 | 3-60-036-0 | Stationary Shelf, 24-3/4 | 99 | 6-12-020-0 | Cable Clip, .22 x .79 x .50 |
| 44 | 3-54-020-0 | Freezer Door Mullion Hinge, Right Hand | 100 | 6-20-045-0 | Screw, #8 x 1 Type AB Flat Head |
| | 3-54-019-0 | Freezer Door Mullion Hinge, Left Hand | 101 | 4-18-062-3 | Right Crisper Slide Assembly |
| 45 | 3-42-007-0 | Hinge Bearing, 1/4 x 5/8 | | 4-18-062-4 | Left Crisper Slide Assembly |
| 46 | 3-54-039-0 | Cabinet Mullion Hinge, Right Hand | 102 | 3-42-032-0 | Roller |
| | 3-54-040-0 | Cabinet Mullion Hinge, Left Hand | 103 | 6-11-033-0 | Screw, #10-32 x 1/2 Chrome Plated |
| 47 | 6-11-021-0 | Bolt, #10-24 x 1/2 Flat Head UC | 104 | 4-18-063-0 | Center Crisper Slide Assembly |
| 48 | 4-18-013-0 | Ice Bucket Assembly | 105 | 2-8072-01 | Mullion Breaker Strip, 26-7/8 (Ref., Bottom; Frzr., Top) |
| 49 | 3-41-004-0 | Ice Bucket Handle, 1 x 7-3/8 | 106 | 6-20-008-0 | Screw, #8-15 x 1/2 Truss Head |
| 50 | 6-11-012-0 | Bolt, #10-32 x 5/8 Truss Head | 107 | 6-20-037-0 | Screw, #8-18 x 2 Truss Head |
| 51 | 6-12-003-0 | Plastic Tube Clamp, 1/4 | 108 | 6-16-009-0 | Spacer, .20 x .38 x 1.44 |
| 52 | 3-45-016-0 | U-Clip | 109 | 6-20-044-0 | Screw, #10 x 11/16 Type B Flat Head |
| 53 | 4-15-067-0 | Freezer Baffle Assembly | 110 | 3-55-016-0 | Hex Insert, #10-32 x 3/8 |
| 54 | 6-15-009-0 | Wellnut, #10-32 | 111 | 0-20055-0 | Cold Plate Cover |
| 55 | 3-54-019-0 | Refrigerator Door Mullion Hinge, Right Hand | 112 | 3-21-025-0 | Rear Crisper Seal |
| | 3-54-020-0 | Refrigerator Door Mullion Hinge, Left Hand | 113 | 2-2204-01 | Crisper Glass Front |
| 57 | 6-22-020-0 | Support; Barrel Type, .225 x .406 | | | |

211 RFD COSMETIC VIEW

