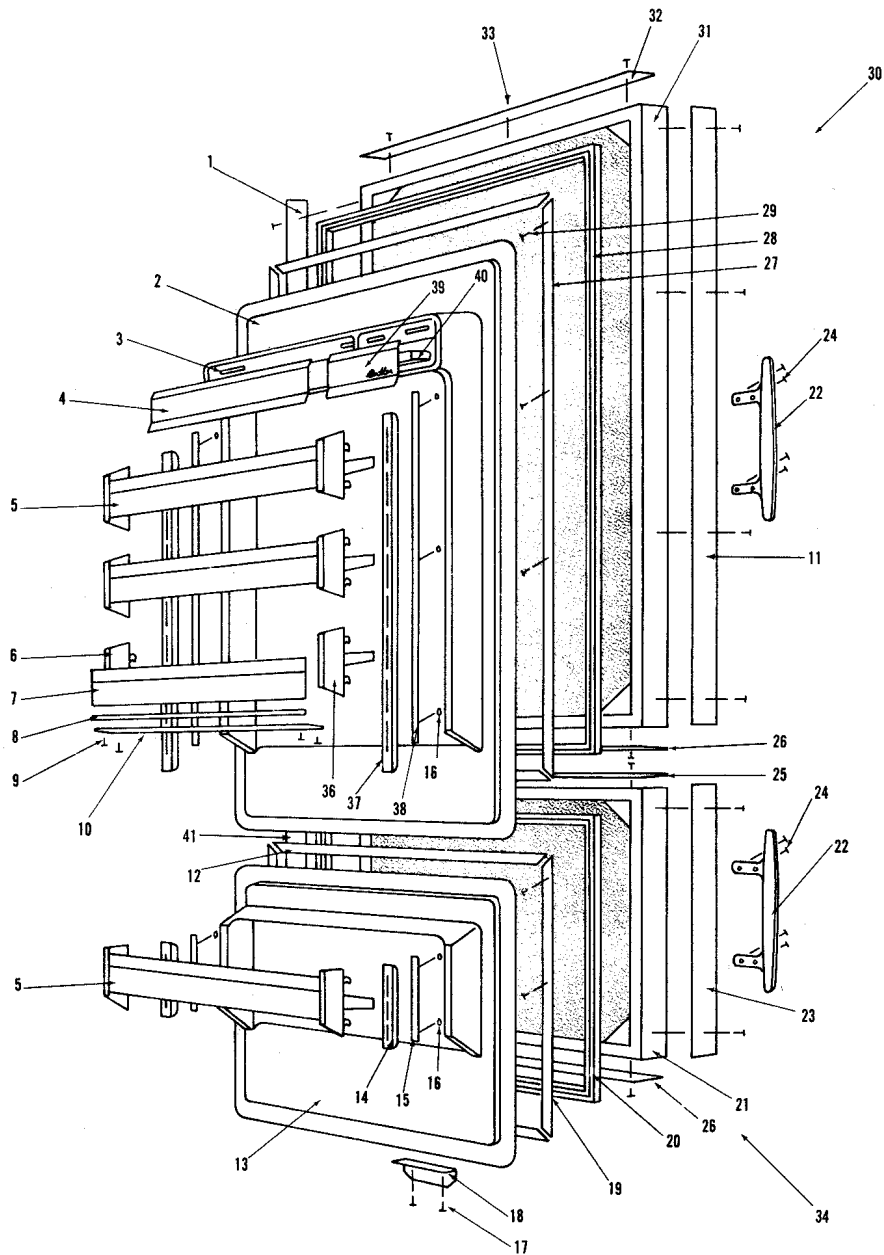


## 251 RFD DOORS

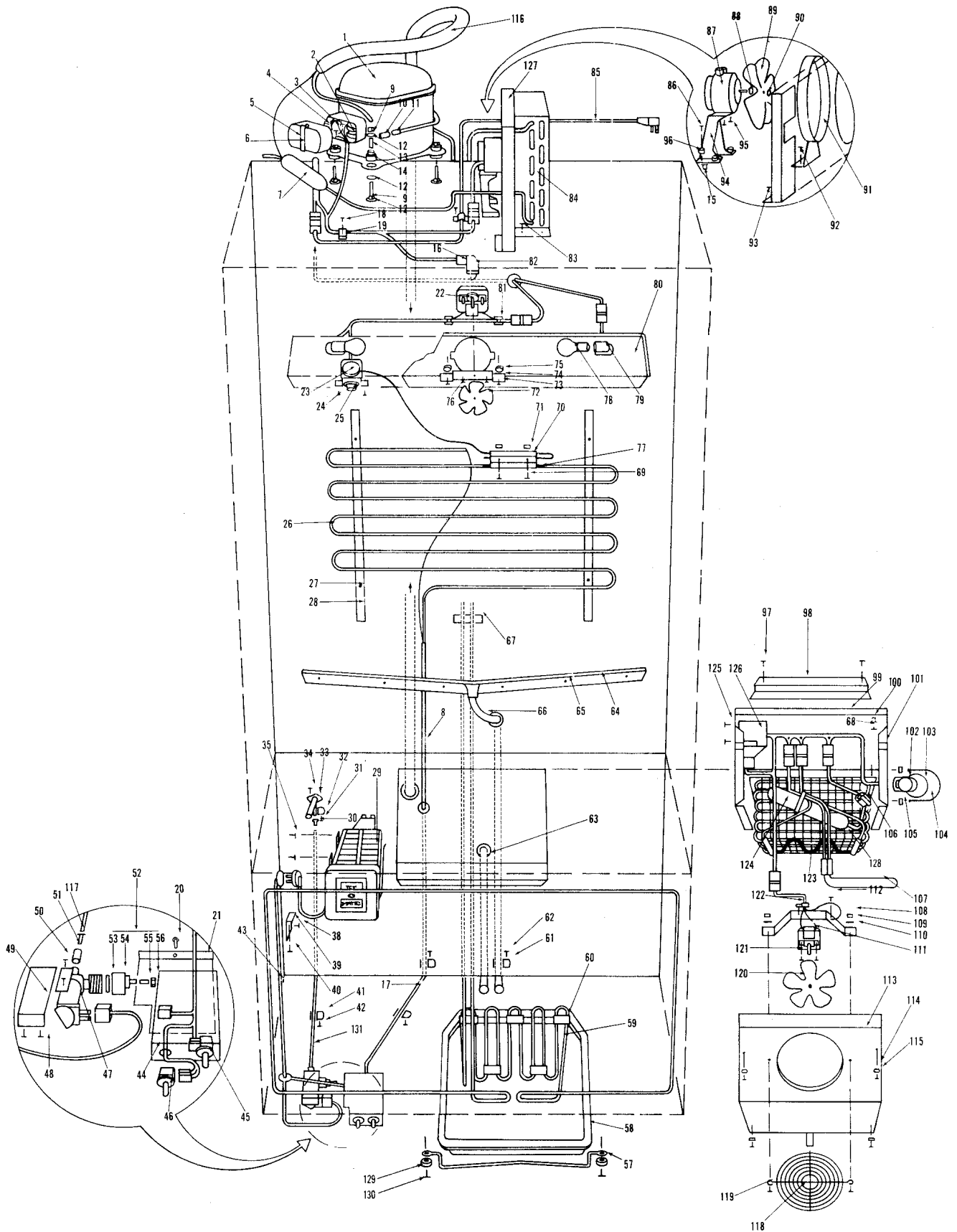


Item #	Part #	Description	Item #	Part #	Description
1	2-2182-05	Refrigerator Side Door Trim, 2.07 x 48-5/8	24	6-11-001-0	Bolt, #10-24 x 1/2 Flat Head
2	0-18227-0	Refrigerator Door Liner	25	2-2111-01	Freezer Top Door Trim, Right Hand
3	3-42-005-0	Butter Door Rod, 3/16 x 2		2-2111-02	Freezer Top Door Trim, Left Hand
4	3-48-035-0	Dairy Door, 4.875 x 20.25	26	2-2182-02	Ref. & Freezer Bottom Door Trim; RH, 2.07 x 34-5/16
5	4-33-011-0	Door Shelf Assembly, 29-1/8		2-2182-01	Ref. & Freezer Bottom Door Trim; LH, 2.07 x 34-5/16
6	3-60-022-2	Left Side Door Shelf End Cap	27	3-42-024-0	Refrigerator Door Side Gasket Retainer, 47.438
7	3-51-011-0	Door Shelf Guard, 28.375	28	3-21-010-0	Refrigerator Door Gasket, 33.813 x 48.125
8	1-2163-00	Door Shelf Tray Support, 25-7/8	29	6-20-041-0	Screw, #8 x 1/2 Slot Head Hex
9	6-20-039-0	Screw, #6 x 3/8 PH Type 25 Flat Head	30	4-13-046-1	Right Hand Complete Refrigerator Door Assembly
10	2-8061-01	Door Shelf Tray, 26.81		4-13-046-2	Left Hand Complete Refrigerator Door Assembly
11	2-2182-05	Refrigerator Side Door Trim, 2.07 x 48-5/8	31	0-17057-0	Refrigerator Door Shell
12	3-42-022-0	Top & Bottom Gasket Retainer, 33.312	32	2-2182-01	Ref. & Freezer Top Door Trim; RH, 2.07 x 34-5/16
13	0-18230-0	Freezer Door Liner		2-2182-02	Ref. & Freezer Top Door Trim; LH, 2.07 x 34-5/16
14	2-2145-01	Freezer Door Shelf Ladder, 6-1/8	33	6-20-004-0	Screw, #4-24 x 1/2 Truss Head
15	4-15-016-0	Freezer Door Shelf Ladder Holder Assembly, 5-3/8	34	4-13-052-1	Right Hand Complete Freezer Door Assembly
16	6-15-032-0	Nut, #8-32 Pal (D0832075)		4-13-052-2	Left Hand Complete Freezer Door Assembly
17	6-20-002-0	Screw, #7-16 x 1/2 Pan Head	36	3-60-022-1	Right Side Door Shelf End Cap
18	0-18028-0	Switch Depressor, Black	37	2-2145-04	Refrigerator Door Shelf Ladder
19	3-42-015-0	Freezer Door Side Gasket Retainer, 17.312	38	4-15-023-0	Refrigerator Door Shelf Ladder Holder Assembly
20	3-21-011-0	Freezer Door Gasket, 33.813 x 18.250	39	3-48-036-0	Butter Door
21	0-17060-0	Freezer Door Shell	40	3-44-001-0	Butter Dish
22	3-51-001-0	Door Handle; Cast, 13-1/2	41	2-2182-06	Freezer Side Door Trim, 2.07 x 18-9/16
23	2-2182-06	Freezer Side Door Trim, 2.07 x 18-9/16			

## 251 RFD SYSTEM VIEW

Item #	Part #	Description	Item #	Part #	Description
1	3-11-047-0	Compressor (AE1413A)	66	1-6014-00	Refrigerator Drain Tube
2	3-11-051-0	Start Relay (GE3ARR12-WR17)	67	6-12-023-0	Double 1/4 Tube Clamp
3	3-11-049-0	Overload (MRT22AHK-296)	68	6-11-012-0	Bolt, #10-32 x 5/8 Truss Head
4	6-11-034-0	Screw, Slot Head	69	6-11-003-0	Bolt, #10-24 x 1/2 Round Head
5	3-11-062-0	Terminal Cover	70	4-16-012-0	Control Clamp
6	3-11-063-0	Terminal Cover Strap	71	6-15-003-0	Nut, #10-24 Hex S.S.
7	3-01-405-0	Drier, 1/4 x .095	72	3-15-021-0	Fan Blade, 4"
8	3-04-017-0	Tube, .50 x .063 x 21 Clear	73	6-11-032-0	Bolt, #10-32 x 3/4 Truss Head
9	6-15-022-0	Nut, 5/16-18 Hex	74	0-21129-0	Refrigerator Fan Bracket
10	3-09-008-0	Valve Cap	75	6-15-003-0	Wellnut, #10-32
11	3-09-001-0	Base Valve, 1/2 x 1-3/8	76	6-11-027-0	Bolt, #10-32 x 1/4 Round Head
12	6-24-005-0	Flat Washer, 5/16	77	3-04-003-0	Control Plastic Sleeve
13	6-16-007-0	Sleeve, 5/16 x 7/16 x 7/8	78	3-03-003-0	Light Bulb
14	3-15-017-0	Rubber Grommet, 15/16 x 1.25	79	3-05-003-0	Light Socket
15	3-52-012-0	Brass Insert, 3/16 x 9/32	80	0-21099-0	Refrigerator Fan Shroud
16	3-02-227-0	Refrigerator Switch Plug	81	6-12-016-0	Plastic Cord Clip, 5/16 x 1/2
17	4-32-125-0	Cabinet Wiring Harness	82	4-20-034-0	Light Switch Kit
18	6-20-001-0	Screw, #10-12 x 3/4 Pan Head	83	6-20-002-0	Screw, #7-16 x 1/2 Pan Head
19	6-12-003-0	Plastic Tube Clamp, 1/4	84	3-12-014-0	Condenser
20	6-20-006-0	Screw, #8-32 x 1/2 Pan Head	85	3-02-229-0	Gray Power Cord
21	0-16429-0	Housing Cover	86	6-20-028-0	Screw, #8-18 x 1 Pan Head
22	4-20-017-0	Refrigerator Fan Motor, 23 Watt	87	3-15-028-0	Condenser Fan Motor; 1.5 Watt, 4 Pole
23	3-01-234-1	Refrigerator Control	88	3-21-034-0	Neoprene Silencer, 7/8"
24	6-11-005-0	Bolt, #8-32 x 3/8 Truss Head	89	3-15-027-0	Fan Blade; 7", 5 Prop
25	3-01-232-0	Control Knob	90	6-15-041-0	1/4-20 Nut
26	2-6005-14	Refrigerator Evaporator Tube	91	4-15-059-0	Fan Guard Assembly
27	6-20-009-0	Screw, #8-15 x 1-3/4 Truss Head	92	6-20-001-0	Screw, #10-12 x 3/4 Pan Head
28	2-8040-02	Evaporator Holder, 14-15/16	93	6-20-001-0	Screw, #10-12 x 3/4 Pan Head
29	3-14-007-0	Ice maker	94	1-8017-00	Fan Bracket, 3-1/2
30	3-14-008-0	Ice maker-Canadian Use Only	95	6-20-049-0	Screw, #8-32 x 3/8 Type 25 Slotted Hex
31	3-52-005-0	Brass Insert	96	3-22-016-0	Grommet, 3/16 x 7/16 x 9/32
32	6-20-033-0	Screw, #8-18 x 3/8 Pan Head	97	6-20-002-0	Screw, #7-16 x 1/2 Pan Head
33	6-12-012-0	Tube Clamp, 3/8 CPS	98	0-23197-0	Blower Bracket, 8-7/8
34	2-6008-02	Water Inlet Tube	99	0-23207-0	Blower Wrapper
35	6-20-008-0	Screw, #8-15 x 1/2 Truss Head	100	6-15-009-0	Wellnut, #10-32
36	6-20-032-0	Screw, #8-32 x 1/2 Truss Head	101	6-15-007-0	Nut, #10A Self Retaining U-Type
37	6-20-014-0	Screw, #8-15 x 3/8 Truss Head	102	3-05-003-0	Light Socket
38	625910	Bracket	103	3-03-003-0	Light Bulb, 40 Watt
39	488646	Screw	104	3-03-002-0	Wire Light Guard
40	6-12-003-0	Plastic Tube Clamp, 1/4	105	6-15-012-0	Nut, #6-32 Hex
41	6-20-001-0	Screw, #10-12 x 3/4 Pan Head	106	4-32-093-0	Defrost Terminator Assembly
42	4-32-062-0	Ice maker Wiring Harness	107	3-01-332-0	Drain Tube Heater, 28.5
43	0-16414-0	Switch Housing	108	6-15-013-0	Nut, 1/4-20 Hex S.S.
44	3-06-003-0	Door Switch, Normally Closed (Light)	109	6-24-007-0	Lock Washer, 1/4 S.S.
45	3-06-002-0	Door Switch, Normally Open (Fan)	110	0-23222-0	Fan Bracket, 7/8 x 3-1/2 x 8
46	3-09-002-0	Solenoid Valve	111	4-20-016-0	Freezer Fan Motor, 23 Watt
47	6-20-001-0	Screw, #10-12 x 3/4 Pan Head	112	6-18-001-0	Pop Rivet
48	0-16200-0	Solenoid Bracket	113	0-16218-1	Blower Cover Without Light Pole
49	6-20-006-0	Screw, #8-32 x 1/2 Pan Head	114	3-21-001-0	Gasket, 1/16 x 3/16 x 1/2
50	3-52-003-0	Ice maker Nut; Nylon, 1/4	115	6-20-012-0	Screw, #10-12 x 1/2 Truss Head
51	3-52-011-0	Water Inlet Tube Fitting Assembly	116	4-25-044-0	Heat Exchanger Assembly
52	3-21-003-0	Water Valve Gasket	117	3-52-005-0	Brass Insert
53	3-52-021-0	Water Valve Fitting	118	3-53-009-0	Fan Grille, 6-1/4
54	3-52-022-0	Ball Sleeve	119	6-11-016-0	Bolt, 1/4 x 3/4 Hex Head
55	3-52-023-0	Compression Nut	120	3-15-006-0	Fan Blade; 5 Prop, 5-1/2
56	3-42-076-0	Drain Pan Holder	121	6-11-027-0	Bolt, #10-32 x 1/4 Round Head
57	3-49-006-0	Drain Pan, 1.3 x 13.1 x 20	122	6-12-015-0	Wire Clamp; Stl w/Rub, 7/16
58	2-6041-01	Condensate Heater Loop	123	4-32-091-0	Defrost Heater Assembly
59	6-22-021-0	Stand-Off Heater	124	3-01-101-0	Accumulator, 1-1/4 x 8-7/8
60	6-12-021-0	U-Clamp, 5/8	125	6-20-034-0	Screw, #6-20 x 1/2 Pan Head
61	6-20-001-0	Screw, #10-12 x 3/4 Pan Head	126	3-08-105-0	Defrost Timer
62	1-6014-00	Freezer Drain Tube	127	2-4013-09	Unit Fan Shroud
63	4-19-005-0	Drain Trough Assembly, 1.75 x 30.00	128	3-13-003-0	Freezer Evaporator Coil
64	6-20-012-0	Screw, #10-12 x 1/2 Truss Head	129	3-42-067-0	Screw Spacer
65			130	6-20-044-0	Screw, #10 x 11/16 Type B Flat Head
			131	2-6006-03	Plastic Water Tube, 41"

# 251 RFD SYSTEM VIEW



## 251 RFD COSMETIC VIEW

Item #	Part #	Description	Item #	Part #	Description
1	4-28-029-0	Unit Shroud Assembly	57	3-45-012-0	Grille Spring, 1/4 x 9-3/8
2	6-20-023-0	Screw, #8-18 x 1/2 Hex Head	58	0-16435-0	Fan Shroud Front Bracket
3	2-2195-12	Left Side Main Frame Extrusion (Right Hand Door)	59	6-20-002-0	Screw, #7-16 x 1/2 Pan Head
	4-12-025-0	Left Side Main Frame Extrusion (Left Hand Door)	60	2-2107-01	Main Frame Angle, 1/5 x .25
4	0-16453-0	Back Cover & Shroud	61	6-20-024-0	Screw, #8-32 x 3/8 Phillips Head
5	6-20-023-0	Screw, #8-18 x 1/2 Hex Head	62	0-18256-0	Top Cabinet Hinge
6	6-20-021-0	Screw, #8-32 x 1/2 Flat Head	63	6-11-007-0	Bolt, 1/4-20 x 5/8 Hex Head
7	6-20-015-0	Screw, #10-24 x 5/8 Round Head	64	6-20-007-0	Screw, #4-24 x 3/8 Flat Head
8	6-11-001-0	Bolt, #10-24 x 1/2 Flat Head (Hinge Screw)	65	3-42-007-0	Hinge Bearing
9	6-20-007-0	Screw, #4-24 x 3/8 Flat Head (Shipping Screw)	66	3-54-034-0	Refrigerator Top Door Hinge, Right Hand
10	3-54-042-0	Freezer Door Lower Hinge, Right Hand		3-54-035-0	Refrigerator Top Door Hinge, Left Hand
	3-54-043-0	Freezer Door Lower Hinge, Left Hand	67	4-15-031-0	Diffuser Glass Assembly, 5.25 x 31.563
11	3-54-041-0	Bottom Cabinet Hinge	68	4-24-003-0	Grille Assembly, 11 x 36
12	3-55-014-0	1/4-20 Self Thread Insert	69	3-58-010-0	Sub-Zero Name Plate
13	6-24-016-0	Nylon Washer, 5/8 x 380-1/16	70	6-15-014-0	Spring Grip Nut, 1/8
	6-24-017-0	Nylon Washer, 5/8 x 380-3/32	71	3-41-015-0	Egg Tray
14	6-20-036-0	Screw, #6-32 x 7/8 Truss Head (Grille Screw)	72	3-45-016-0	U-Clip
15	6-11-023-0	Bolt, #10-24 x 1/2 Pan Head	73	3-60-030-0	Refrigerator Cantilever Shelf, 31
16	6-24-007-0	Lock Washer, 1/4 S.S.	74	4-15-037-0	Crisper Trim Assembly
17	6-11-016-0	Bolt, 1/4 x 3/4 Hex Head	75	4-15-049-0	Crisper Glass Assembly, 31.44 x 15.50
18	0-18027-1	Right Door Closer Cover	76	3-21-022-0	Front Crisper Seal, 30.44
	0-18027-2	Left Door Closer Cover	77	3-41-028-0	Crisper Basket Only, 15.00 x 15.96 x 5.68
19	6-24-006-0	Star Washer, 1/4		4-18-050-0	Crisper Basket Assembly (Veg.), 15.00 x 15.95
20	6-20-001-0	Screw, #10-12 x 3/4 Pan Head	78	3-48-073-0	Crisper Handle, .44 x 1.53 x 14.491
21	3-54-027-0	Door Closer	79	3-48-068-0	Crisper Front (Veg.), 14.647
22	3-57-002-0	Rear Leveling Leg, 3/8-18 x 4	80	4-12-022-0	Right Side Main Frame Extrusion (RH Door)
23	4-11-003-2	Left Base Assembly		2-2195-06	Right Side Main Frame Extrusion (LH Door)
24	3-57-004-0	Front Leveling Leg, 3/8-18 x 1-1/2	81	6-20-044-0	Screw, #10 x 11/16 Type B Flat Head
25	2-8073-15	Freezer Bottom Breaker Strip, 32-7/8	82	3-42-032-0	Roller
26	6-20-001-0	Screw, #10-12 x 3/4 Pan Head	83	3-48-067-0	Crisper Front Only (Meat), 14.647
27	4-11-003-1	Right Base Assembly		4-18-049-0	Crisper Basket Assembly (Meat), 15.00 x 15.95
28	6-20-045-0	Screw, #8 x 1 Type AB Flat Head	84	3-42-030-0	Center Crisper Support, .29 x .31 x 6.25
29	3-41-002-1	Basket Slide Cabinet, Right	85	6-22-020-0	Support; Barrel Type, .225 x .406
	3-41-002-2	Basket Slide Cabinet, Left	86	6-11-012-0**	Bolt, #10-32 x 5/8 Truss Head
30	6-20-014-0**	Screw, #8-15 x 3/8 Truss Head	87	6-12-003-0**	Plastic Tube Clamp, 1/4
31	6-22-001-0**	Simmons Fastener, 1/2	88	3-54-019-0	Refrigerator Door Mullion Hinge, Right Hand
32	6-22-012-0	Screw Grommet, 3/8 x 3/4		3-54-020-0	Refrigerator Door Mullion Hinge, Left Hand
33	2-8073-11	Freezer Right Side Breaker Strip, 17-1/8	89	3-54-020-0	Freezer Door Mullion Hinge, Right Hand
	2-8073-12	Freezer Left Side Breaker Strip, 17-1/8		3-54-019-0	Freezer Door Mullion Hinge, Left Hand
34	6-22-019-0	Support, .275 x .750	90	6-11-021-0	Screw, #10-24 x 1/2 Flat Head UC
35	2-8072-02	Mullion Breaker Strip, 32-7/8 (Ref., Bottom; Fzr., Top)	91	3-54-039-0	Cabinet Mullion Hinge, Right Hand
36	6-20-045-0	Screw, #8 x 1 Type AB Flat Head		3-54-040-0	Cabinet Mullion Hinge, Left Hand
37	3-42-032-0	Roller, .250 x .75	92	4-15-068-0	Freezer Baffle Assembly
38	4-18-062-3	Right Crisper Slide Assembly	93	3-45-016-0	U-Clip
	4-18-062-4	Left Crisper Slide Assembly	94	3-41-004-0	Ice Bucket Handle
39	6-20-044-0	Screw, #10 x 11/16 Type B Flat Head	95	4-18-013-0	Ice Bucket Assembly
40	6-20-008-0	Screw, #8-15 x 1/2 Truss Head	96	4-18-043-0	Roll Out Basket Assembly
41	4-18-063-0	Center Crisper Slide Assembly	97	0-16231-0	Kickplate, 35-1/2
42	0-20057-0	Cold Plate Cover	98	3-57-003-0	Leveling Rod, 26-3/4
44	6-16-009-0	Spacer, .20 x .38 x 1.44	99	3-60-035-0**	Stationary Shelf, 31
45	6-20-037-0	Screw, #8-18 x 2 Truss Head	100	3-41-002-4	Roll Out Basket Slide, Left Side
46	6-12-020-0	Cable Clip, .22 x .79 x .50		3-41-002-3	Roll Out Basket Slide, Right Side
47	6-20-014-0	Screw, #8-15 x 3/8 Truss Head	101	2-2124-01	Roll Out Basket Handle
48	2-2217-02	Left Side Refrigerator Cantilever Shelf Ladder	102	6-11-009-0	Bolt, #10-24 x 1/2 Truss Head
49	2-2217-01	Right Side Refrigerator Cantilever Shelf Ladder	103	6-24-004-0	Flat Washer, 1/4
50	6-20-014-0	Screw, #8-15 x 3/8 Truss Head	104	6-24-003-0	Plastic Washer, 3/16 x .100
51	6-22-007-0	Support, .44 x .63 x 1.53	105	3-60-010-0**	Ice Bucket Shelf, 10 x 10.25
52	2-8073-09	Refrigerator Right Side Breaker Strip, 46-13/16	106	6-22-006-0**	Simmons Fastener U-Type
	2-8073-10	Refrigerator Left Side Breaker Strip, 46-13/16	107	6-15-009-0**	Wellnut, #10-32
53	2-8073-15	Refrigerator Top Breaker Strip, 32-7/8	108	3-55-016-0	Screw, #10-32 x 3/8 Hex
54	2-2195-17	Top Main Frame Extrusion, 36 (Right Hand Door)	109	6-11-033-0	Screw, #10-32 x 1/2 Chrome Plate
	2-2195-18	Top Main Frame Extrusion, 36 (Left Hand Door)	110	3-21-025-0	Rear Crisper Seal
55	4-28-013-0	Compressor Shroud Assembly	111	2-2203-01	Crisper Glass Front
56	6-20-002-0	Screw, #7-16 x 1/2 Pan Head			

\*Obsolete as of Serial #279092

\*\*On Models 251 & 2511 Starting with Serial #279092

# 251 RFD COSMETIC VIEW

