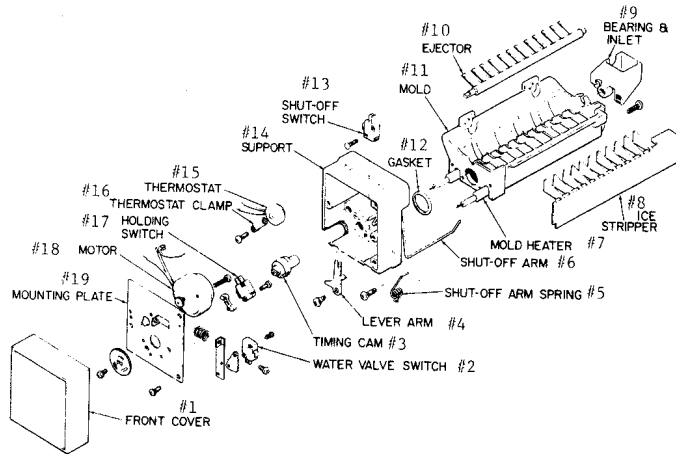


COMPACT ICEMAKER #3-14-001-0

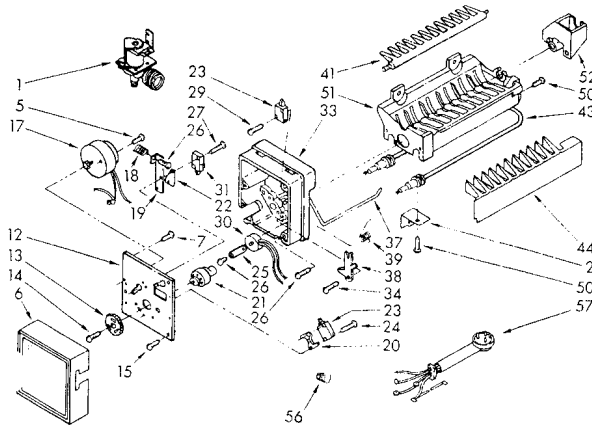
8 CAVITY



Item #	Part #	Description	Item #	Part #	Description
1	833873	Front Cover (Kit)	11	627170	Mold
2	627848	Water Switch	12	625828	Gasket
3	625913	Timing Cam	13	625851	Shut-Off Switch
4	625830	Lever Arm	14	625827	Support
5	480855	Shut-Off Arm Spring (Kit)	15	627180	Thermostat
6	627003	Shut-Off Arm	16	625829	Thermostat Clamp
7	625893	Mold Heater (Kit)	17	627848	Holding Switch
8	627753	Ice Stripper	18	798654	Motor (Kit)
9	833593	Bearing & Inlet (Kit)	19	625833	Mounting Plate
10	627169	Ejector			

ICEMAKER PARTS #3-14-007-0

12 CAVITY



Illus No.	Part No.	Description	Illus No.	Part No.	Description
1	3-09-002-0	Valve Assembly	24	488361	Screw, 4-40 x 1
2	625910	Bracket	25	625829	Clamp (Alternate)
5	488361	Screw (Use w/625846 Motor)	26	488372	Screw, 8-32 x 1
	488622	Screw (Use w/627106 Motor)	27	488362	Screw, 4-40 x 3/4
6	833873	Cover	29	488360	Screw, 4-24 x 3/4
7	488542	Screw (Ground)	30	627180	Thermostat
12	625833	Plate, Mounting	31	625851	Switch, S.P.S.T.
13	625914	Gear	33	625827	Support
14	488806	Screw	34	833587	Screw, Shoulder
15	488787	Screw, #8-18 x 1/2 (3)	37	627003	Arm, Shut-Off
17	798654	Motor	38	625830	Arm, Lever
	627106	Motor (Alternate)	39	480855	Spring, Shut-Off Arm
18	627163	Spring	41	627375	Ejector
19	625836	Plate Valve Switch	43	625893	Heater, Mold
20	625834	Spacer, Holding Switch	44	625840	Stripper, Ice
21	625913	Cam	50	488896	Screw, 8-16 x 3/8
22	984683	Insulator	51	833702	Mold & Heater Assembly (Includes illus. 43)
23	627848	Switch, S.P.D.T.	52	833593	Bearing & Inlet
			56	227991	Connector, Wire
			57	627151	Harness, Wiring

*In Canada, Utilize Part #3-14-008-0

*Because of a certain CSA rule, a special icemaker (Part #3-14-008-0) is used in all Canadian units. In all cases the internal components should not be repaired and instead the total mechanism is to be replaced; order Part #3-14-008-0.