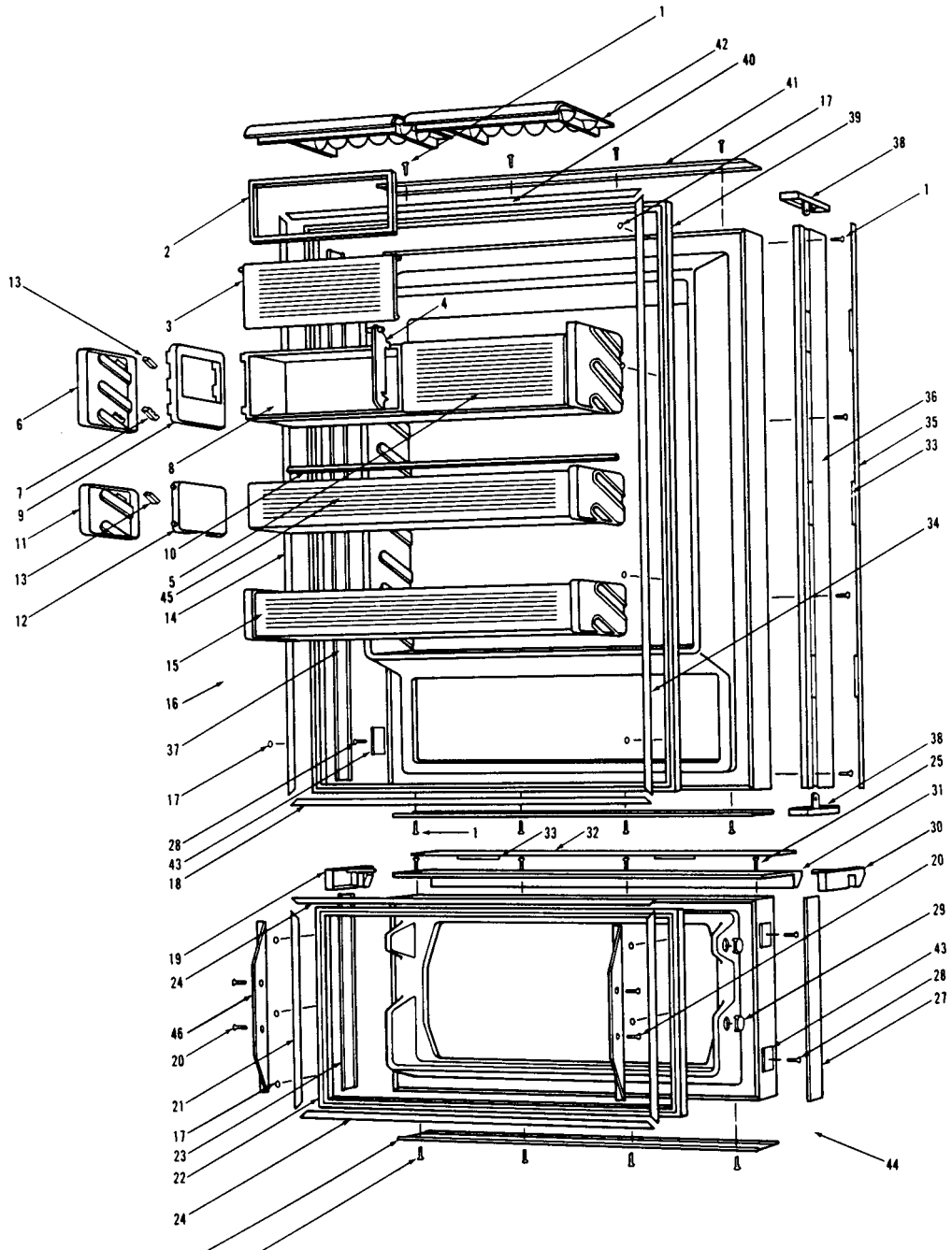


550 DOOR VIEW

Ref.	Part No.	Description	Ref.	Part No.	Description
1	6200720	Screw, #8-18 x 1/2 PH Truss HD	23	2225303	Door Trim, Side Fre
2	3210710	Dairy Door Seal	24	3420220	Gasket Retainer, 33.312"
3	3515600	Diary Door	25	6200720	Screw, #8-18 x 1/2 PH Truss HD
4	3421060	Dairy Compartment Center Divider	26	2225401	Door Trim, Bottom
5	4330300	Dairy Compartment Assembly	27	2225202	Door Trim, Side; Fre RS
6	3600851	Dairy Compartment Outer End Cap; RS	28	6180040	Pop Rivet, 3/16x1/8 Grip
	3600852	Dairy Compartment Outer End Cap; LS	29	3550230	White Plastic Plug, 3/4"
7	3550490	Dairy Compartment Retainer	30	4200490	Standard Handle End Cap Replacement Components
8	3600860	Dairy Compartment		4200700	Extended Handle End Cap Replacement Components
9	3600891	Dairy Compartment Inner End Cap RS	31	4130950	Door Handle Assembly, Fre
	3600892	Dairy Compartment Inner End Cap LS		EH550	Extended Full Length Handle Set
10	3510710	Door Shelf Support	32	4131010	Handle Molding Assembly, Fre
11	3600751	Door Shelf Outer End Cap, RS	33	3450450	Molding Magnet - 3"
	3600752	Door Shelf Outer End Cap, LS	34	3420240	Gasket Retainer, Side Ref, 47.438"
12	3600761	Door Shelf Inner End Cap, RS	35	4130990	Handle Molding Assembly, Ref
	3600762	Door Shelf Inner End Cap, LS	36	4130930	Door Handle Assembly, Ref
13	3550440	Door Shelf Retainer		EH550	Extended Full Length Handle Set
14	3420240	Gasket Retainer, Side Ref, 47.438"	37	2225204	Door Trim, Side; Ref
15	4330250	Door Shelf Assembly	38	4200490	Standard Handle End Cap Replacement Components
16	4131061	Door Assembly, Ref; RH		4200700	Extended Handle End Cap Replacement Components
	4131062	Door Assembly, Ref; LH	39	3211100	Door Gasket, Refrig.
17	6200410	Screw, #8 x 1/2" Slot Head Hex	40	3420220	Gasket Retainer, 33.312"
18	3420220	Gasket Retainer, 33.312"	41	2225402	Door Trim, Top RH/Bottom LH
19	4200490	Standard Handle End Cap Replacement Components		2225403	Door Trim, Top LH/Bottom RH
	4200700	Extended Handle End Cap Replacement Components	42	3410980	Egg Tray
20	6110450	Bolt, 1/4-20 x 1/2" Whiz Lock	43	3450460	Door Trim Clip
21	3420150	Gasket Retainer, 17.312"	44	4131050	Door Assembly, Fre
22	3211110	Door Gasket, Freezer	45	3600970	Door Shelf
			46	0182651	Freezer Door Support Rail, RH
			47	0182652	Freezer Door Support Rail, LH

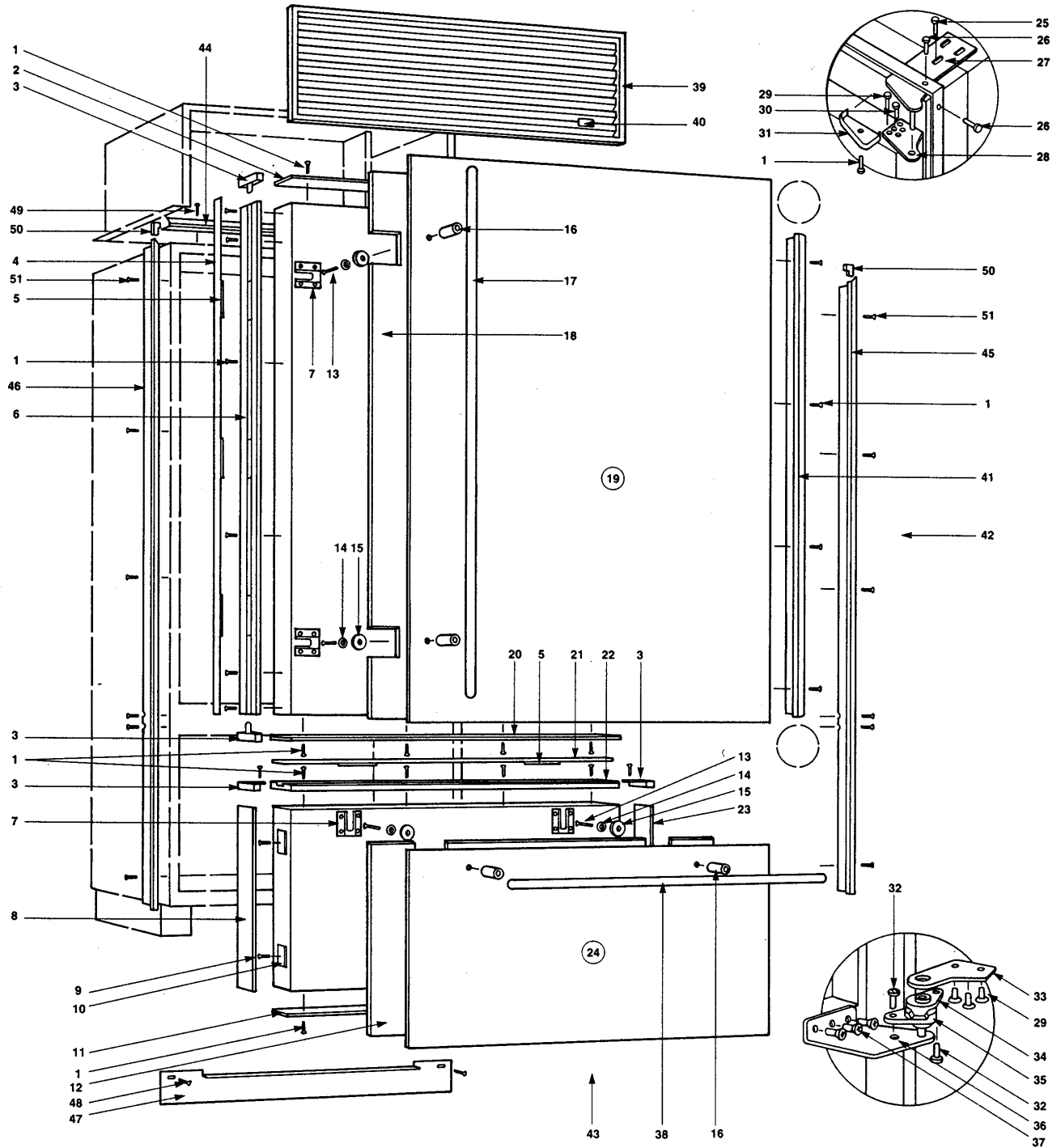
550 DOOR VIEW



550 STAINLESS STEEL EXTERNAL COSMETIC/DOOR VIEW

Ref.	Part No.	Description	Ref.	Part No.	Description
1	6200720	Screw, #8-18x1/2 PH Truss HD	28	4151471	Door Hinge Assy, Top; RH
2	2229405	Refrigerator Door Trim, Top RH / Bottom LH		4151472	Door Hinge Assy, Top; LH
	2229406	Refrigerator Door Trim, Top LH / Bottom RH	29	6110540	Bolt, #10-24 x 1/2" Flat Socket HD
3	4202510	Replacement Trim Cap Components	30	6200390	Screw, #6 x 3/8" T25 Flat Head PH
4	4131870	Handle/Trim Molding Assembly, Refrig.	31	3541011	Top Cabinet Hinge Cover, RH
5	3450450	Molding Magnet - 3"		3541012	Top Cabinet Hinge Cover, LH
6	4131900	Refrigerator Door Trim Assy. Handle Side	32	6110270	Bolt, #10-32 x 1/4" RD HD
7	0183770	Handle Mounting Bracket	33	0182381	Door Hinge, Bottom; RH
8	2229502	Door Trim, Freezer Left Side		0182382	Door Hinge, Bottom; LH
9	6180040	Pop Rivet, 3/16x1/8 Grip	34	3420690	Bottom Door Hinge Cam
10	3450460	Door Trim Clip	35	3420681	Bottom Cabinet Hinge Cam, RH
11	2229407	Door Trim, Freezer Bottom		3420682	Bottom Cabinet Hinge Cam, LH
12	0183760	Door Panel Backer, Freezer	36	4151641	Cabinet Hinge, Bottom; RH
13	6110670	Machine Screw, #10-24x1-1/2 FL		4151642	Cabinet Hinge, Bottom; LH
14	3421590	Door Handle Catch	37	6110010	bolt, #10-24 x 1/2" Flat Head UC
15	6240350	Fender Washer, .25x1.25x.06	38	3511180	SS Drawer Handle, Fre, 1"Dia x 30-5/16"
16	3511190	Handle Standoff, 1"D	39	SS3611	Grille assembly, Stainless Steel - 36x11
17	3511170	SS Door Handle, Refrig, 1"Dia x 44-1/4"	40	3580200	Name Plate
18	0183750	Door Panel Backer, Refrigerator	41	3511140	Door Trim, Hinge Side - Square Corner
19	SSFP550R	Stainless Steel Front Panel, Refrigerator	42	4131841	Door Assembly, Refrigerator SS Framed - RH
20	2229405	Door Trim, Refrigerator; Top RH/Bottom LH		4131842	Door Assembly, Refrigerator SS Framed - LH
	2229406	Door Trim, Refrigerator; Top LH/Bottom RH	43	4131850	Door Assembly, Freezer, SS Framed
21	4131880	Handle/Trim Molding Assembly, Freezer	44	2229604	Main Frame Top - RH
22	4131910	Freezer Door Trim Assembly, Handle Side		2229605	Main Frame Top - LH
23	2229501	Door Trim, Freezer Right Side	45	2229606	Main Frame, Right Side - RH
24	SSFP550F	Stainless Steel Front Panel, Freezer		2229607	Main Frame, Right Side - LH
25	6110070	Bolt, 1/4-20 x 3/4" Spinlock Zinc	46	2229608	Main Frame, Left Side - RH
26	6200070	Screw, #4-24 x 3/8" Flat HD		2229609	Main Frame, Left Side - LH
27	4151271	Cabinet Hinge Assembly, Upper; RH	47	0167820	Kickplate, Stainless Steel
	4151272	Cabinet Hinge Assembly, Upper; LH	48	6200050	Screw, #10-12 x 1/2" Pan HD
			49	6200010	screw, #10-12 x 3/4" Pan HD
			50	2210701	Main Frame Angle
			51	6200210	Screw, #8-32 x 1/2" Flat Head

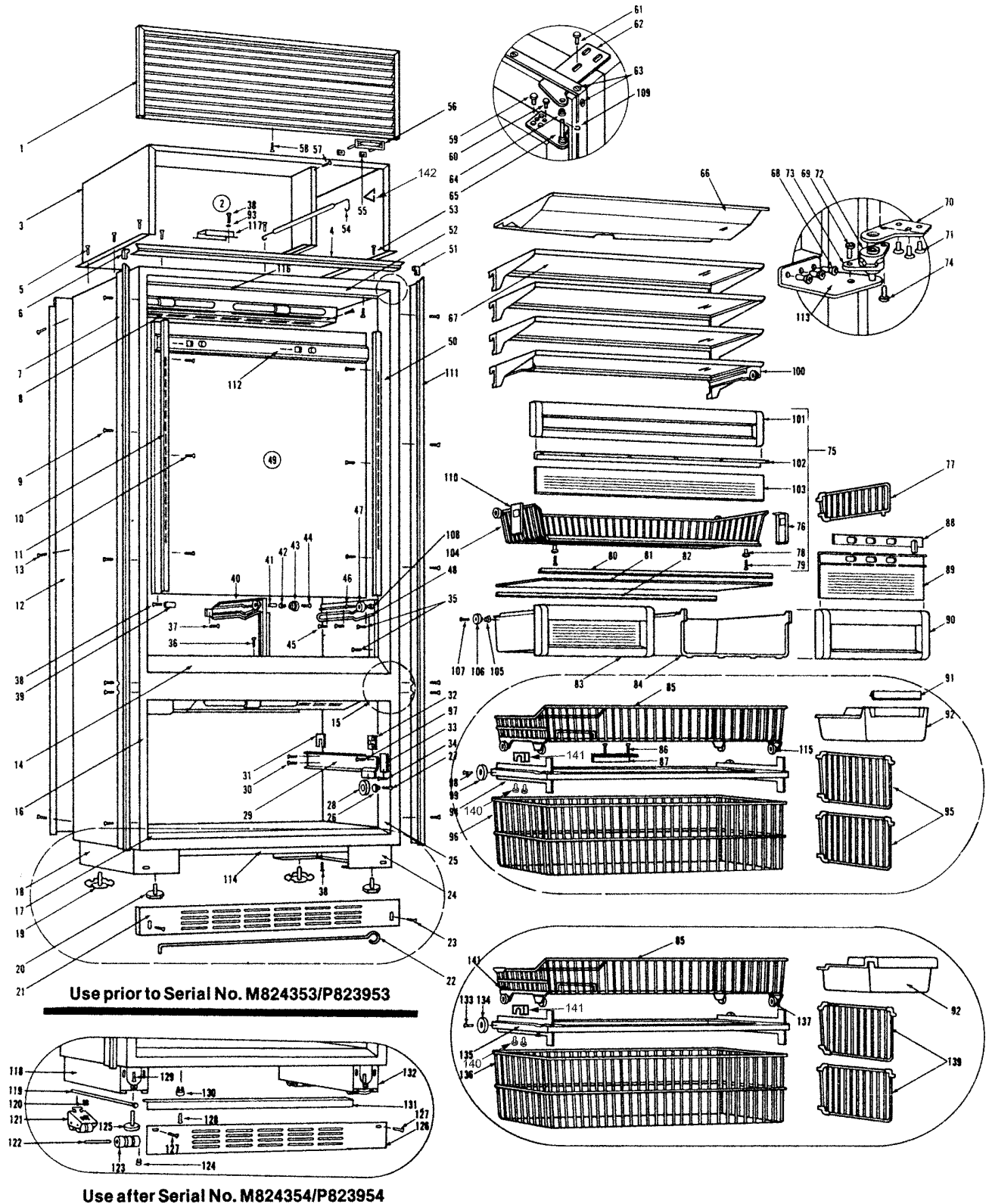
550 STAINLESS STEEL EXTERNAL COSMETIC/DOOR VIEW



550 COSMETIC VIEW

Ref.	Part No.	Description	Ref.	Part No.	Description
1	LG3611	Louvered Grille, 36 x 11	69	6110270	Bolt, #10-32 x 1/4" RD HD
2	4280450	Compressor Shroud Assembly	70	0182381	Door Hinge, Bottom; RH
3	4280480	Unit Shroud Assembly		0182382	Door Hinge, Bottom; LH
4	2225616	Top Main Frame, RH Dr Swing	71	6110010	Bolt, #10-24 x 1/2" Flat Head UC
	2225617	Top Main Frame, LH Dr Swing	72	3420690	Bottom Door Hinge Cam
5	6200230	Screw, #8-18 x 1/2" Hex Head		3420681	Bottom Cabinet Hinge Cam, RH
6	2210701	Main Frame Angle		3420682	Bottom Cabinet Hinge Cam, LH
7	2225609	Left Side Main Frame, RH Dr Swing	74	6110270	Bolt, #10-32 x 1/4" RD HD
	2225610	Left Side Main Frame, LH Dr Swing	75	4180850	Basket Assembly, Ref Roll-out
8	4200830	Light Diffuser/Fan Shroud Replacement Components; Ref.	76	3411001	Refrigerator Roll-Out Basket Retainer, RH
9	6200210	Screw, #8-32 x 1/2" Flat Head	77	3411160	Ref Roll-Out Bskt Divider
10	3601101	Cabinet Shelf Ladder RS	78	6220320	Screw Grommet
	3601102	Cabinet Shelf Ladder LS	79	6200700	Screw, #6-20 x 5/8" PH Flat HD SS
11	6200710	Screw, #8-18 x 3/8" Fillister HD	80	2301601	Front Crisper Seal
12	0164530	Back Cover and Shroud	81	4151060	Crisper Glass Assembly
13	6200230	Screw, #8-18 x 1/2" Hex Head	82	1301900	Rear Crisper Seal
14	2809501	Breaker Strip, Refrigerator Mullion	83	4180910	Crisper Drawer Assembly
15	2809701	Breaker Strip, Freezer Mullion	84	3411022	Crisper Drawer
16	2807341	Breaker Strip, Freezer; LS	85	4180990	Basket Assembly, Upper
17	1807300	Breaker Strip, 6' Length - NOTE: Must be cut to length		4181040	Basket Assembly, Freezer Upper
18	4110032	Left Base Assembly	86	6200140	Screw, #8-15 x 3/8" Truss HD
19	3570020	Rear Leveling Leg, #18-3/8 x 1-1/2"	87	0232940	Switch Depressor
20	3570050	Leveling Leg, #18-3/8 x 1"	8	3411052	Vent Slide
21	0165000	Kickplate, Vented	89	3411042	Crisper Drawer Glass
22	3570030	Leveling Rod, 26-3/4"	90	3411032	Crisper Front
23	6200050	Screw, #10-12 x 1/2" Pan HD	91	3410040	Icemaker Bucket Handle
24	4110031	Right Base Assembly	92	232870	Ice Bucket
25	2807340	Breaker Strip, Freezer; RS		3411340	Ice Bucket
26	3430040	Spacer	93	6240020	Star washer, 3/16"
27	6110440	Bolt, 1/4-20 x 3/4" Flat HD	94	4180670	Drawer Slide Assembly, Fre
28	3420900	Roller Bearing	95	3411310	Lower Freezer Basket Divider
29	4180681	Cabinet Slide Assy, Fre; Right	96	3411180	Lower Freezer Basket
	4180682	Cabinet Slide Assy, Fre; Left	97	6200590	Screw, #12 x 1" Type A Zinc Flat HD
30	6110330	Screw, #10-32 x 1/4" Chrome Plate	98	6110260	Bolt, 1/4-20 x 1/2" Flat HD
31	0232310	Drawer Slide Shim, Rear	99	3420900	Roller Bearing+CS8
32	0232300	Drawer Slide Shim, Front	100	4180790	Shelf Assembly, Ref Roll-out Basket
33	3420821	Cabinet Support Insulator RS	101	3410890	Refrigerator Roll-Out Basket Front
	3420822	Cabinet Support Insulator LS	102	3600920	Refrigerator Roll-Out Basket Glass Retainer
34	6200151	Screw, #10 x 3/4" Type 23 PH Round Head	103	3500280	Refrigerator Roll-Out Basket Glass
35	6200450	Screw, #8 x 1" Type AR Flat	104	NLA	Refrigerator Roll-Out Basket - See 4180850
36	3550460	White Cap plug	105	3430080	Roller Bushing
37	6200140	Screw, #8-15 x 3/8" Truss HD	106	3421110	Crisper Roller
38	6200010	Screw, #10-12 x 3/4" Pan HD	107	6200730	Screw, #10-16 x 3/4 PH Flat Head uc
40	4180940	Crisper Slide Assy; Center	108	3430080	Roller Bushing
	3410960	Center Crisper Slide	109	3450270	E-Ring / Retaining Ring
41	3550450	Hex Insert	110	3411002	Refrigerator Roll-Out Basket Retainer, LH
42	3430080	Roller Bushing	111	2225602	Right Side Main Frame, RH Dr Swing
43	3421100	Crisper Roller; Narrow		2225603	Right Side Main Frame, LH Dr Swing
44	6200740	Screw, #10-32 x 11/16" PH Flat HD UC	112	3012610	Control Panel, Ref
45	6200450	Screw, #8 x 1" Type AR Flat	113	4151151	Cabinet Hinge, Bot; RH
46	6200730	Screw, #10-16 x 3/4" PH Flat HD UC		4151152	Cabinet Hinge, Bot; LH
47	3421110	Crisper Roller	114	0164990	Kickplate Support
48	4180931	Crisper Slide Assy, RS	115	NLA	Upper Freezer Basket Roller- See 4180990 or 4101040.
	4180932	Crisper Slide Assy, LS	116	0211380	Light Diffuser Retainer
	3410941	Crisper Slide, RS	117	0165760	Switch Enclosure
	3410942	Crisper Slide, LS	118	4110333	Base Assembly (w/rollers) - Right or Left
49	0200730	Cold Plate / Evaporator Cover	119	6110520	Adjusting Screw
50	1807300	Breaker Strip, 6' Length - NOTE: Must be cut to length	120	6150670	J-Nut, #10-24
51	2210701	Main Frame Angle	121	4110331	Base Rear Roller Assy
52	1807300	Breaker Strip, 6' Length - NOTE: Must be cut to length	122	3550560	Straight Pin, Base Assy - .312" x 2.88"
53	6200010	Screw, #10-12 x 3/4" Pan HD	123	3421240	Cabinet Roller (3 per side)
54	3450120	Grille Spring, 1/4" x 9-5/8"	124	3450620	Canoe Clip
55	6150140	Spring Grip Nut, 1/8"	125	3570050	Leveling Leg, #18-3/8 x 1"
56	3580110	Nameplate	126	0166150	Kickplate, Vented
57	6200060	Screw, #8-32 x 1/2" Pan HD		4200871	Kickplate, Solid
58	6200770	Screw, #6-32 x 3/4" Pan HD	127	6200050	Screw, #10-12 x 1/2" Pan HD
59	6110010	Bolt, #10-24 x 1/2" Flat Head UC	128	6200010	Screw, #10-12 x 3/4" Pan HD
60	6200390	Screw, #6 x 3/8" T25 Flat Head PH	129	6200010	Screw, #10-12 x 3/4" Pan HD
61	6110070	Bolt, 1/4-20 x 3/4" Spinlock Zinc	130	6220050	Screw Grommet, 1/2" x 5/8"
62	0182560	Cabinet Hinge, Top	131	0166040	Kickplate Support
63	6200070	Screw, #4-24 x 3/8" Flat HD	132	4110333	Base Assembly (w/rollers) - Right or Left
64	3420070	Hinge Bearing	133	6110260	Bolt, 1/4-20 x 1/2" Flat HD
65	3540340	Door Hinge, Top RH	134	3420900	Roller Bearing
	3540350	Door Hinge, Top LH	135	4181050	Drawer Slide, Fre
66	4200830	Light Diffuser/Fan Shroud Replacement Components; Ref.	136	3411180	Lower Freezer Basket
67	4180760	Glass Shelf Assembly	137	NLA	Upper Freezer Basket Roller- See 4180990 or 4101040.
68	6110010	Bolt, #10-24 x 1/2" Flat Head UC	139	3411310	Lower Freezer Basket Divider
			140	6220110	Screw Grommet, 1/2" x 9/16"
			141	3420950	Upper Freezer Basket Restraint
			142	3450520	Grille Hook

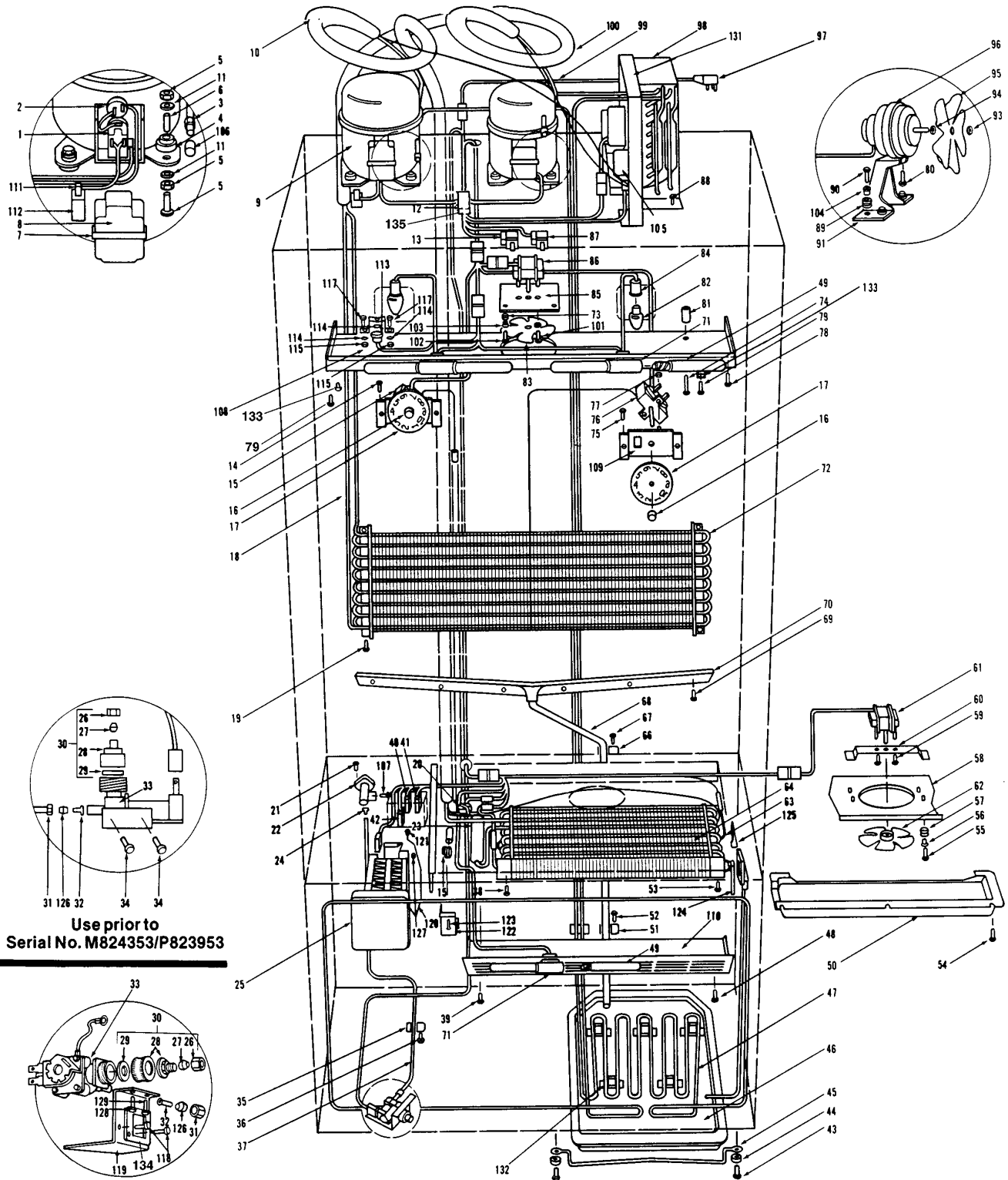
550 COSMETIC VIEW



550 SEALED SYSTEM VIEW

Ref.	Part No.	Description	Ref.	Part No.	Description
1	****	Start Relay, Refrigerator	64	3130120	Evaporator Coil, Fre
	****	Start Relay, Freezer	65	6200080	Screw, #8-15 x 1/2" Truss HD
2	****	Overload, Refrigerator	66	6120050	Tube Clamp, Plastic, 5/8"
	****	Overload, Freezer	67	6200230	Screw, #8-18 x 1/2" Hex Head
3	3090010	Compressor Base Valve - fits on 5/16"OD tubing - NOTE: Also see 3090100, 3090210, 3090220	68	1601400	Drain Tube, Wire - 1/2" x 72"
4	3150010	Rubber Grommet, Small, 5/8"	69	6200140	Screw, #8-15 x 3/8" Truss HD
	3150170	Rubber Grommet, Large, 15/16"	70	4190150	Drain Trough Assembly
5	6150220	Nut, 5/16-18 Hex Zinc	71	3050020	Light Socket, 3/4 Double
6	6160030	Spacer, 5/16 x 7/16 x 5/8"	72	3130270	Evaporator Coil, Ref
	6160070	Sleeve, 5/16 x 7/16 x 7/8"	73	3220250	Grommet, 3/16" x 7/16" x 9/32"
7	****	Compressor Cap Strap	74	6200090	Screw, #8-15 x 1-3/4" Truss HD
8	****	Compressor Cap	75	6180010	Pop Rivet, 1/8"
9	4201400	Service Freezer Compressor	76	4201260	Control, Refrig
10	4250910	Heat Exchanger, Freezer	77	6150320	Nut-Pal, #8-32
11	6240050	Flat Washer, 5/16"	78	6200140	Screw, #8-15 x 3/8" Truss HD
12	4322170	Cabinet Wiring Harness	79	6200130	Screw, #8-18 x 3/4" Truss HD
13	3060140	SPST Light Switch	80	6200490	Screw, #8-32 x 3/8" Slotted Hex T25
14	6180010	Pop Rivet, 1/8"	81	6220340	Screw Grommet / Stand-off
15	3014280	Control, Freezer	82	3030070	Light Bulb, 7W
16	3012560	Control Knob	83	3150210	Fan Blade, Ref Evap
17	3012810	Control Indicator	84	3050070	Light Socket
18	3011030	Refrigerator Accumulator, 7/8 x 15-5/8 (Prior to SN 681565)	85	0211620	Refrigerator Fan Bracket
19	6200140	Screw, #8-15 x 3/8" Truss HD	86	4200170	Refrigerator Fan Motor Replacement Components
20	3082060	Defrost Terminator	87	3060130	SPST Fan/Icemaker Switch
21	6200230	Screw, #8-18 x 1/2" Hex Head	88	6200010	Screw, #10-12 x 3/4" Pan HD
22	1600800	Water Inlet Tube, 6"	89	3220160	Grommet, 3/16" x 7/16" x 9/32"
23	3011010	Accumulator; 1-1/4 x 8-7/8	90	6200430	Screw, #8-18 x 1/2" PH Type-B Pan Head
24	3520050	Brass Insert, Solenoid	91	1801700	Fan Bracket, Condenser
25	4202850	Compact Icemaker Assembly - NOTE: Ice level mechanism not included.	92	3014230	Filter-Drier, High Side
	4200520	Complete Modular Icemaker Assembly	93	6150410	Nut, 1/4-20
26	NLA	Compression Nut - See 3520110	94	3210340	Neoprene Silencer, 7/8"
27	NLA	Ball Sleeve - See 3520110	95	3150320	Fan Blade, Cond, 5 prop, 7"
28	NLA	Water Valve Fitting - See 3520110	96	4200740	Condenser Fan Motor Replacement Components
29	3210030	Solenoid Gasket	97	4321820	Power Cord
30	3520110	Water Inlet Fitting Assembly	98	3120151	Dual Condenser
31	3520030	Icemaker Nylon Nut, 1/4"	99	4201670	Service Refrigerator Compressor
32	3520050	Brass Insert, Solenoid	100	4250960	Heat Exchanger, Refrigerator
33	4201440	Water / Solenoid Valve	101	6110270	Bolt, #10-32 x 1/4" RD HD
34	6200060	Screw, #8-32 x 1/2" Pan HD	102	6200130	Screw, #8-18 x 3/4" Truss HD
35	6120030	Tube Clamp, Plastic 1/4"	103	3520120	Brass Insert, Fan Bracket
36	6200010	Screw, #10-12 x 3/4" Pan HD	104	3520120	Brass Insert, Fan Bracket
37	2600617	Plastic Water Line	105	3081180	Service Defrost Timer, 6Hr / 21Min
38	6200120	Screw, #10-12 x 1/2" Truss HD	106	NLA	Valve Cap -See 3090010; 3090100; 3090210; 3090220.
39	6200120	Screw, #10-12 x 1/2" Truss HD	107	6200330	Screw, #8-18 x 3/8" Pan Head
40	3060030	Light Switch, Normally Closed	108	4160440	Fan Shroud Assembly, Ref
	3060140	SPST Light Switch	109	4151040	Control Bracket Assy.
41	3060020	Fan Switch, Normally Open	110	0232840	Evaporator Cover, Fre
	3060130	SPST Fan/Icemaker Switch	111	****	Run Capacitor
42	3060020	Fan Switch, Normally Open	112	4324110	Run Capacitor Wiring Harness
	3060130	SPST Fan/Icemaker Switch	113	4200850	Light Terminator
43	6200440	Screw, #10-16 x 11/16" Type B Flat Head	114	6240020	Star Washer, 3/16"
44	3420670	Screw Spacer	115	6150160	Nut, #8-32 Hex
45	3420760	Drain Pan Holder	117	6110050	Bolt, #8-32 x 3/8" Truss HD
46	0164940	Drain Pan, Plastic	118	6200010	Screw, #10-12 x 3/4" Pan HD
47	2604101	Condensate Heater Loop	119	0166190	Solenoid Bracket
48	6200120	Screw, #10-12 x 1/2" Truss HD	120	4202730	Ice Level Arm Package
49	3030040	Light Bulb, Long/Narrow; 40 Watt	121	3220170	Snap Bushing
50	0232560	Freezer Air Duct	122	0233160	Control Housing, Fre
51	6120050	Tube Clamp, Plastic, 5/8"	123	6200140	Screw, #8-15 x 3/8" Truss HD
52	6200230	Screw, #8-18 x 1/2" Hex Head	124	6120340	Aluminum Strap
53	6200120	Screw, #10-12 x 1/2" Truss HD	125	2606601	Aluminum Sleeve
54	6200120	Screw, #10-12 x 1/2" Truss HD	126	NLA	Solenoid Hose Fitting - See 3520110
55	6200430	Screw, #8-18 x 1/2" PH Type-B Pan Head	127	6220190	Support, .275 x .750"
56	3520120	Brass Insert, Fan Bracket	128	6200010	Screw, #10-12 x 3/4" Pan HD
57	3220250	Grommet, 3/16" x 7/16" x 9/32"	129	6200060	Screw, #8-32 x 1/2" Pan HD
58	0232850	Fan Shroud, Fre Evap	130	4201440	Water / Solenoid valve
59	6110270	Bolt, #10-32 x 1/4" RD HD	131	4280500	Condenser Fan Shroud Assembly
60	0232280	Fan Bracket, Fre		0166980	Shroud Support Bracket
61	4200160	Freezer Fan Motor Replacement Components	132	6220210	Stand-off Heater Clip
62	3150370	Fan Blade, Freezer Evap.	133	6220330	Plastic support
63	4321760	Defrost Heater Assembly	134	0166200	Solenoid Retainer
			135	3081120	Control Relay

550 SEALED SYSTEM VIEW



**Use prior to
Serial No. M824353/P823953**

**Use after
Serial No. M824354/P823954**