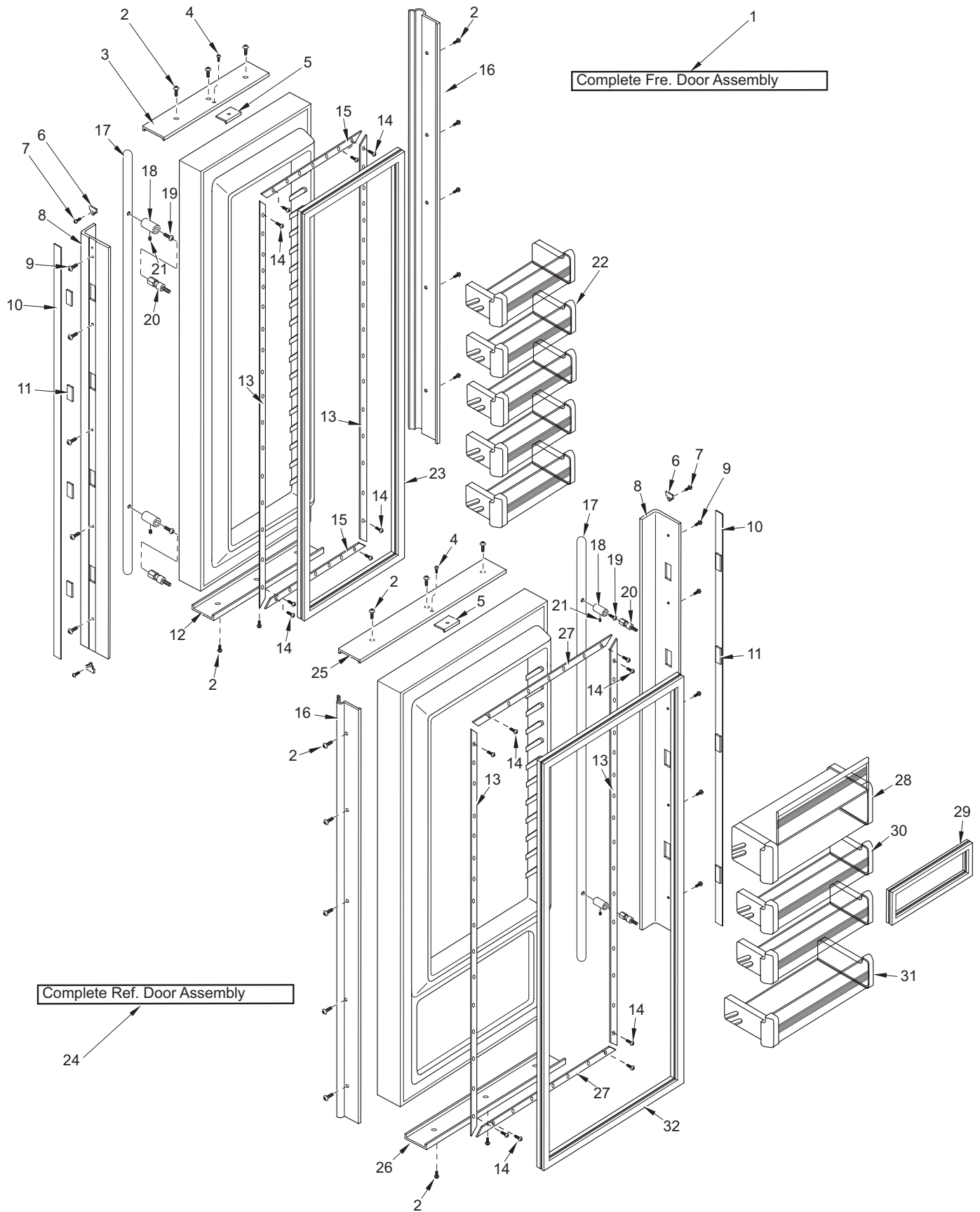


632 DOOR PARTS LIST

<u>Ref #</u>	<u>Part #</u>	<u>Description</u>	<u>Ref #</u>	<u>Part #</u>	<u>Description</u>
1	4132075	Freezer Door Assy, Frame/Overlay (See SN Breaks)	17	4132190	Handle Assy, SS Round End (Incl. Stand-offs) - (See SN Breaks)
	4132905	Freezer Door Assy, Frame/Overlay (See SN Breaks)		4133580	Handle Assy, SS Blunt (Incl Stand-offs) (See SN Breaks)
	4132495	Fre Door Assy, SS (See SN Breaks)		4133730	Handle Assy, SS OBR Standoffs (See SN Breaks)
	4134565	Fre Door Assy, SS (See SN Breaks)			
2	6200720	Screw, #8-18 x 1/2 PH Truss HD	18	3511320	Handle Stand-off 1"D (See SN Breaks)
3	2230603	Door Trim, Top; Freezer		3512150	Standoff, SS Oval (See SN Breaks)
4	6200720	Screw, #8-18 x 1/2 PH Truss HD	19	6110540	Bolt, #10-24 x 1/2 Flat Socket HD
5	4200940	Switch Depressor (Includes Screw)	20	3511330	Handle Mounting Stud
6	3413340	Handle/Trim End Cap	21	6110730	Set Screw #10-32 X 1/4 SS Cone
7	6180160	Rivet, Open End Blind, 1/8 x 3/16	22	4330460	Fre Door Shelf Assy (See SN Breaks)
8	4132220	Door Handle Assembly (Framed)		4330660	Fre Door Shelf Assy (See SN Breaks)
	4132320	Handle-Side Door Trim (Overlay)	23	3211090	Door Gasket, Fre (See SN Breaks)
9	6201300	Tapping Screw, #8 x 1/2		3212090	Door Gasket, Fre (See SN Breaks)
10	4131860	Handle/Trim Molding Assy	24	4132935	Refrigerator Door Assy, Frame/Overlay
11	3451000	Magnet, Trim Strip - 3"		4134555	Refrigerator Door Assy, SS
12	2230604	Door Trim, Bottom; Freezer	25	2230601	Door Trim, Top; Refrigerator
13	3420260	Gasket Retainer, 66.875"	26	2230602	Door Trim, Bottom; Refrigerator
14	6200410	Screw, #8 x 1/2 Slot Head Hex	27	3420200	Gasket Retainer, 27.062"
15	3420140	Gasket Retainer, 16.125"	28	4330450	Dairy Compartment Assy
16	3511130	Door Trim, Hinge Side - (SS Model)	29	3211830	Dairy Compartment Gasket
	3511131	Door Trim, Hinge Side - Mitered Corner	30	4330470	Refrig. Door Shelf Assy
			31	4330520	Gallon Door Shelf Assy (Sales Acc.)
			32	3212110	Door Gasket, Refrigerator



632 DOOR VIEW





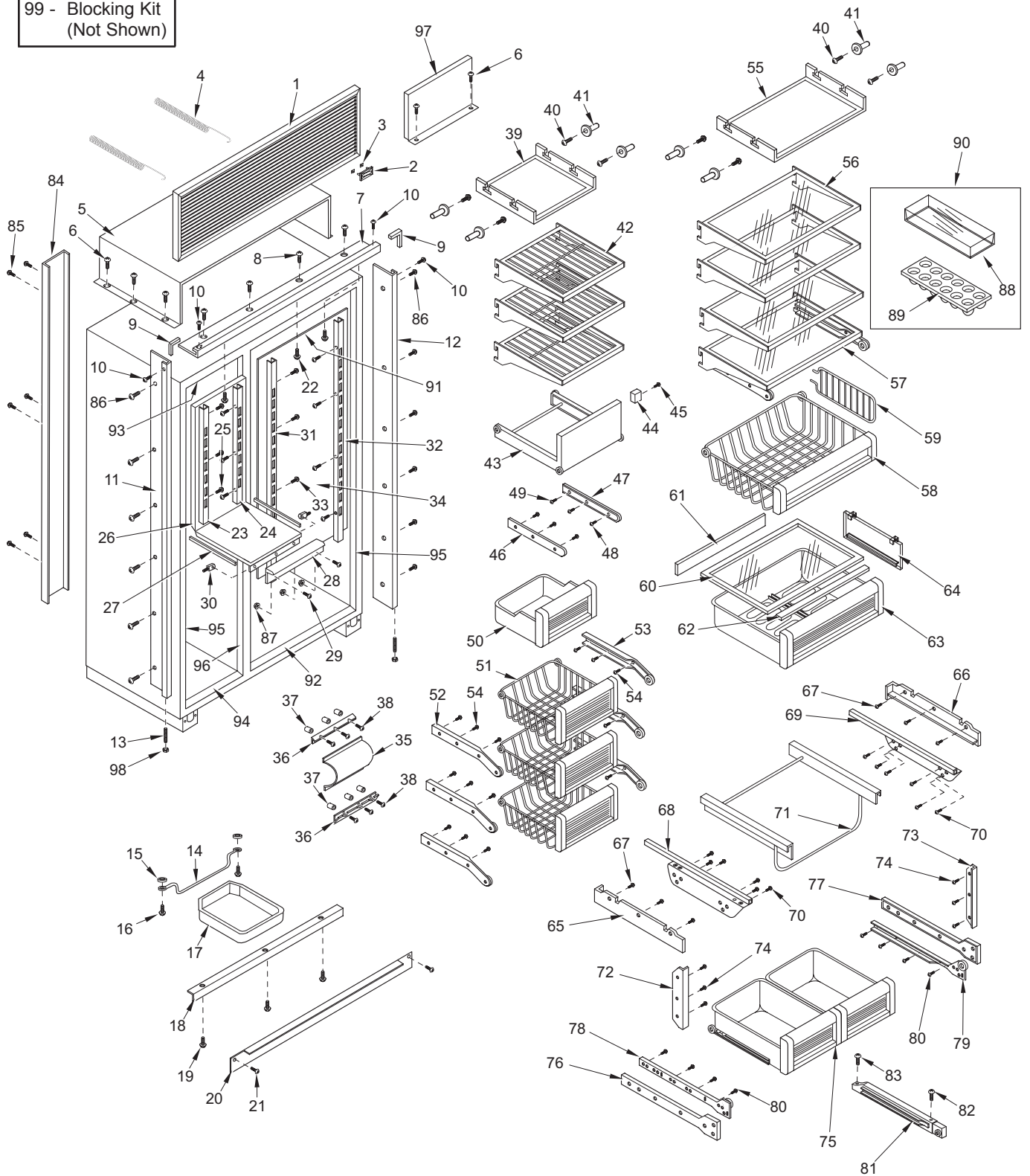
632 COSMETIC PARTS LIST

Ref #	Part #	Description	Ref #	Part #	Description
1	6LG4811	Louvered Grille Assy, 48" x 11"	46	3410932	Ice Bucket Slide, Left
	6PG4811	Panel Grille Assy, 48" x 11"	47	3410931	Ice Bucket Slide, Right
	6SG4811	SS Grille 48" x 11" (See SN Breaks)	48	6200450	Screw, #8 x 1" Type AR Flat
	6SG4811/S	SS Grille,48X11-CLSC (See SN Breaks)	49	6200710	Screw, #8-18 x 3/8" Fillister HD
2	3580230	Nameplate w/ Pegs	50	4181580	Ice Bucket Assy (See SN Breaks)
	3580210	Name Plate, Stick-on		4181830	Ice Bucket Assy (See SN Breaks)
3	6150140	Spring Grip Nut, 1/8"	51	4181570	Freezer Basket Assy (See SN Breaks)
4	3450900	Grille Spring		4181820	Freezer Basket Assy (See SN Breaks)
5	4281040	Unit Shroud Assy	52	4180972	Fre Bskt Slide Assy-LH (See SN Breaks)
6	6201270	Screw, #8-18 x 5/8" PH PN SS-Gnd		4181842	Fre Bskt Slide Assy-LH (See SN Breaks)
7	2229702	Main Frame, Top (See SN Breaks)	53	4180971	Fre Bskt Slide Assy-RH (See SN Breaks)
	2229709	Main Frame, Top (See SN Breaks)		4181841	Fre Bskt Slide Assy-RH (See SN Breaks)
8	6200010	Screw, #10-12 x 3/4 Pan HD	54	6200450	Screw, #8 x 1" Type AR Flat
9	2210701	Main Frame Angle	55	4161520	Refrig. Light Diffuser Assembly
10	6200070	Screw, #4-24 x 3/8 Flat HD	56	3601891	Glass Shelf, Spill Proof
11	4120590	Main Frame Assy, Left (See SN Breaks)	57	4181560	Refrig. Roll-out Shelf Assy
	4120830	Main Frame Assy, Left (See SN Breaks)	58	4181540	Refrig. Roll-out Basket Assy
12	4120580	Main Frame Assy,Right (See SN Breaks)	59	3411160	Ref Roll-Out Bskt Divider
	4120820	Main Frame Assy,Right (See SN Breaks)	60	4151770	Crisper Glass Assembly (Incl Seals)
13	3550190	Bottom Hinge Stud	61	3211770	Crisper Glass Seal, Rear
14	3420760	Drain Pan Holder	62	3211740	Crisper Glass Seal, Front
15	3420670	Screw Spacer	63	4181460	High Humidity Drawer Assembly
16	6201060	Screw, #8 x 1-1/4 Ph Flat Tap	64	3413100	Drawer Divider
17	0164940	Drain Pan	65	3421711	Top Crspr Glass Support, Narrow-RH
18	0169970	Kickplate Support	66	3421721	Top Crisper glass Support, Wide-RH
19	6200010	Screw, #10-12 x 3/4 Pan HD	67	6201130	Screw, #8x 1/2" PH FL HD SS
20	0260150	Kickplate, Black-Solid	68	4181421	Top Crisper Slide Assy, Narrow-RH
	0167810	Kickplate, Stainless Steel	69	4181411	Top Crisper Slide Assembly, Wide-RH
21	6200050	Screw, #10-12 x 1/2 Pan HD	70	6201270	Screw, #8-18 x 5/8" PH PN SS-Gnd
	6200720	Screw, #8-18 x 1/2 PH Truss HD	71	3421760	Humidity Drawer Slide-Frame
22	6201310	Screw, #8 x 1-3/4" Flat PH HD	72	3421732	Crisper Filler Strip, Wide
23	3601852	Fre Shelf Ladder, Lft (See SN Breaks)	73	3421731	Crisper Filler Strip, Narrow
	3602252	Fre Shelf Ladder, Lft (See SN Breaks)	74	6201270	Screw, #8-18 x 5/8" PH PN SS-Gnd
24	3601851	Fre Shelf Ladder, Right (See SN Breaks)	75	4181490	Small Storage Drawer Assembly
	3602251	Fre Shelf Ladder, Right (See SN Breaks)	76	3421691	Bot Crisper Slide Support, Narrow
25	6200710	Screw, #8-18 x 3/8 Fillister HD	77	3421692	Bot Crisper Slide Support, Wide
26	0233890	Freezer Duct/Shelf (See SN Breaks)	78	3413112	Bot Crisper Slide, Cabinet - Left
	0234370	Freezer Duct/Shelf (See SN Breaks)	79	3413111	Bot Crisper Slide, Cabinet - Right
27	3210830	Evaporator Shelf Seal (See SN Breaks)	80	6201230	Screw, #8 x 7/8" w/a #7 PH FT Head
	3212060	Evaporator Shelf Seal (See SN Breaks)	81	4181430	Center Crisper Slide Assembly
28	3413020	Evaporator Shelf Front (See SN Breaks)	82	6201120	Screw, #8-18 x 1.75 Truss SS
	3413740	Evaporator Shelf Front (See SN Breaks)	83	6200130	Screw, #8-18 x 3/4" Truss HD
29	6201290	Screw, #8-15 PH PN HD SS	84	0168120	Back Duct (See SN Breaks)
30	6220070	Support, .44 x .63 x 1.53"		0169600	Back Duct (See SN Breaks)
31	3601812	Refrig. Shelf Ladder, Left	85	6201060	Screw, #8x1-1/4" Ph Flat Tap
32	3601811	Refrig. Shelf Ladder, Right	86	6200210	Screw, #8-32 x 1/2" Flat Head
33	6200710	Screw, #8-18 x 3/8" Fillister HD	87	6150820	Palnut, .25
34	0200830	Refrig Evap Cover (See SN Breaks)	88	3412280	Egg Tray Cover
	0201160	Refrig Evap Cover (See SN Breaks)	89	3412270	Egg Tray
35	3500600	Fre Lower Light Diffuser	90	4131810	Egg Tray with Cover
36	0234110	Fre Lwr Light Diff Rtnr (See SN Breaks)	91	2811201	Breaker Strip, Ref. Top (See SN Breaks)
	0234380	Fre Lwr Light Diff Rtnr (See SN Breaks)	92	2811202	Breaker Strip, Ref Bot (See SN Breaks)
37	6220340	Screw Grommet / Stand-off	93	2811203	Breaker Strip, Fre Top (See SN Breaks)
38	6201010	Screw, #8-15 x 2" Pan Head	94	2811204	Breaker Strip, Fre Bot (See SN Breaks)
39	4160820	Fre Light Diffuser Assy (See SN Breaks)		4203910	Patch, Fre Face Frm Sill (See SN Breaks)
	4161440	Fre Light Diffuser Assy (See SN Breaks)	95	2811205	Brkr Strp, Fre/LS, Ref/RS(See SN Breaks)
40	6201330	Screw, #8-18 x 5/8" PH PN SS-Gnd	96	1811300	Breaker Strip, Mullion (See SN Breaks)
41	3520420	Insert / Diffuser Stand-off	97	4280950	Compressor Shroud Assembly
42	3601870	Freezer Wire Shelf (See SN Breaks)	98	6150200	Nut, 1/4-20 Hex
	3602200	Freezer Wire Shelf (See SN Breaks)	99	4201330	Blocking Components; 48"
43	4180830	Ice Bkt Carriage Assy (See SN Breaks)	100	3411890	Shim, Fre. Basket Slide (See SN Breaks)
	4181920	Ice Bkt Carriage Assy (See SN Breaks)		3121120	Shim, Fre. Basket Slide (See SN Breaks)
44	3421090	IM Carriage Guide	101	3411970	Shim, Ice Bucket Slide
45	6200340	Screw, #6-20 x 1/2" Pan Head			



632 COSMETIC VIEW

99 - Blocking Kit
(Not Shown)



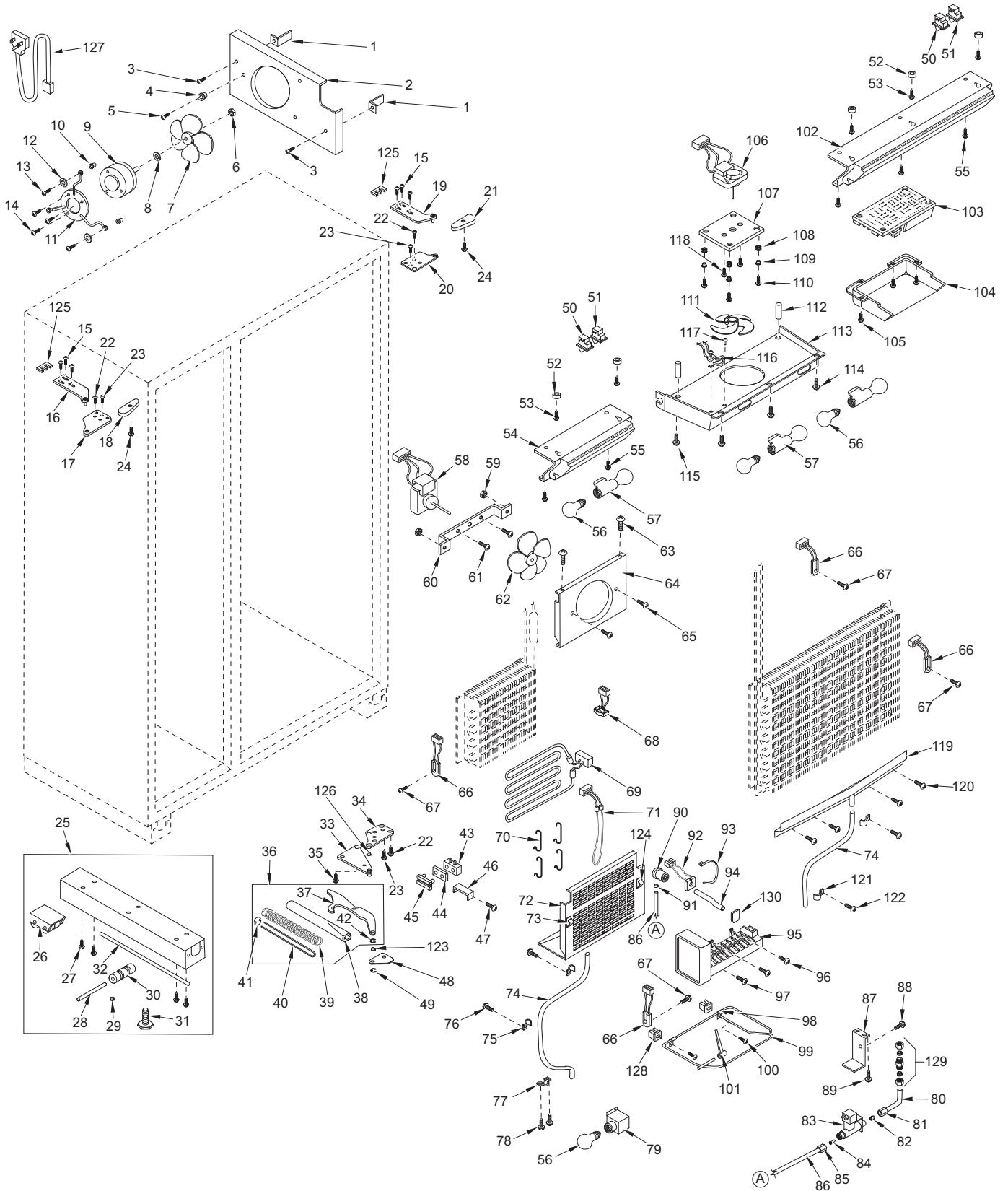
100 - Shim, Freezer Basket Slide (Not Shown)
101 - Shim, Ice Bucket Slide (Not Shown)



632 MECHANICAL PARTS LIST

Ref #	Part #	Description	Ref #	Part #	Description
1	3450290	Angle Bracket	65	6110020	Bolt, #10-24 x 3/8" Truss HD
2	0169980	Condenser Fan Shroud	66	3014350	Thermistor
3	6200010	Screw, #10-12 x 3/4" Pan HD	67	6201270	Screw, #8-18 x 5/8" PH PN SS-Gnd
4	3420670	Screw Spacer	68	3082060	Defrost Terminator
5	6200450	Screw, #8 x 1" Type AR Flat	69	4322130	Defrost Heater Assy (See SN Breaks)
6	6150410	Nut, 1/4-20		4324690	Defrost Heater Assy (See SN Breaks)
7	3150320	Fan Blade, Cond, 5 prop, 7"	70	1801100	Heater Clip
8	3210340	Neoprene Silencer, 7/8"	71	3013540	Drain Tube Heater
9	4200740	Motor Pkg, Cond Fan (blade not incl.) (See SN Breaks)	72	4151120	Fre Evap Cover Assy. (See SN Breaks)
	4200741	Motor Pkg, Cond Fan (blade not incl.) (See SN Breaks)		4151940	Fre Evap Cover Assy. (See SN Breaks)
10	6150330	Well Nut, .75D x .804", #10-32	73	6120160	Cord Clip, Plastic, 5/16 x 1/2"
11	3150650	Condenser Fan Bracket	74	1601400	Drain Tube, Wire - 1/2" x 72"
12	6240350	Fender Washer, .25x1.25x.06	75	6120050	Tube Clamp, Plastic, 5/8"
13	6201280	Machine Screw, #10-32 x 1-1/4"	76	6200010	Screw, #10-12 x 3/4" Pan HD
14	6200490	Screw, #8-32 x 3/8" Slotted Hex T25	77	6120210	U-Clamp, 5/8"
15	6110070	Bolt, 1/4-20x3/4 Spinlock Zinc	78	6200010	Screw, #10-12 x 3/4" Pan HD
16	4151272	Cabinet Hinge Assy, Upper LH	79	3050170	Light Sckt Sngl Straight (See SN Breaks)
17	4151472	Door Hinge Assy, Top LH		3050260	Socket, Light Med Base (See SN Breaks)
18	3541018	Top Cabinet Hinge Cover, LH		4161600	Light Assy, Lower Freezer
19	4151271	Cabinet Hinge Assy, Upper RH	80	2600297	Tube, Copper L-Shaped
20	4151471	Door Hinge Assy, Top RH	81	3520380	Compression Nut
21	3541017	Top Cabinet Hinge Cover, RH	82	3520370	Compression Sleeve
22	6110540	Bolt, #10-24 x 1/2" Flat Socket HD	83	4202790	Water Valve
23	6200390	Screw, #6 x 3/8" T25 Flat Head PH	84	3520050	Brass Insert, Solenoid
24	6200140	Screw, #8-15 x 3/8" Truss HD	85	3520030	Icemaker Nylon Nut, 1/4"
25	4110353	Base Assy (w/rollers)	86	2600617	Plastic Water Line
26	4110331	Base Rear Roller Assy	87	0168160	Solenoid Water Valve Bracket
27	6200010	Screw, #10-12 x 3/4" Pan HD	88	6200780	Screw, #10-24 x 1/2" PH Hex Washer
28	3550560	Straight Pin, Base Assy, .312" x 2.88"	89	6201270	Screw, #8-18 x 5/8" PH PN SS-Gnd
29	3450620	Canoe Clip	90	1607700	Water Inlet Tube
30	3421240	Cabinet Roller (Single)	91	6220470	Fill Tube Clamp
31	3570050	Leveling Leg, #18-3/8 x 1"	92	3013820	Fill Tube Heater
32	6110580	Adjusting Screw	93	6120450	Locking Cable Tie 9.7" BLK
33	4151281	Cabinet Hinge Assy, Lower RH	94	3024110	Fill Tube Extension
	4151282	Cabinet Hinge Assy, Lower LH	95	4200521	Icemaker Assembly
34	4151241	Door Hinge, Bottom RH	96	6200120	Screw, #10-12 x 1/2" Truss HD
	4151242	Door Hinge, Bottom LH	97	6200060	Screw, #8-32 x 1/2" Pan HD
35	6110070	Bolt, 1/4-20x3/4 Spinlock Zinc	98	6120280	Tube Clamp, Nylon, 3/16"
36	4201111	Door Closer Assy, RH	99	3421220	Icemaker Control Arm
	4201112	Door Closer Assy, LH	100	6200120	Screw, #10-12 x 1/2" Truss HD
37	0183111	Door Closer Arm - RH	101	3421070	Connecting Rod
	0183112	Door Closer Arm - LH	102	4160902	Control Panel Assy (See SN Breaks)
38	3421300	Door Closer Housing		4161542	Control Panel Assy (See SN Breaks)
39	3450530	Door Closer Spring	103	4202800	Control Board Pkg-Dual (See SN Breaks)
	3450710	Low Pull Door Closer Spring		4203520	Control Board Package (See SN Breaks)
40	3421290	Door Closer Linkage	104	3412790	Control Board Enclsr (See SN Breaks)
41	0165980	Door Closer Spring Retainer		3413940	Control Board Enclsr (See SN Breaks)
42	3421260	Door Closer Bearing	105	6201270	Screw, #8-18 x 5/8" PH PN SS-Gnd
43	3450570	Door Closer Cushion	106	4200170	Refrig. Fan Mtr Cmpnts (Blade not Incl.)
44	0165970	Door Closer Guide Support	107	0211620	Refrigerator Fan Brkt (See SN Breaks)
45	3421310	Door Closer Guide		0212520	Refrigerator Fan Brkt (See SN Breaks)
46	0166360	Door Stop Cushion Retainer	108	3220250	Grommet, 3/16" x 7/16" x 9/32"
47	6180010	Pop Rivet, 1/8"	109	3520410	Brass Insert, Fan
48	DS90	Door Stop - 90 Degree	110	6110270	Bolt, #10-32 x 1/4" RD HD
	DS105	Door Stop - 105 Degree	111	3150640	Fan blade, Ref/Fre Evap.
49	3450560	E - Ring, 7/16"	112	6220540	Screw Grommet / Stand-off
50	3060140	SPST Light Switch	113	4161510	Refrig. Fan Shroud Assembly
51	3060130	SPST Fan/Icemaker Switch	114	6201270	Screw, #8-18 x 5/8" PH PN SS-Gnd
52	6160240	Nylon Spacer	115	6201010	Screw, #8-15 x 2" Pan Head
53	6200720	Screw, #8-18 x 1/2 PH Truss HD	116	3082140	Light Terminator
54	4160771	Freezer Front Pnl Assy (See SN Breaks)	117	6180010	Pop Rivet, 1/8"
	4161951	Freezer Front Pnl Assy (See SN Breaks)	118	6110270	Bolt, #10-32 x 1/4" RD HD
55	6201270	Screw, #8-18 x 5/8" PH PN SS-Gnd	119	4190160	Drain Trough Assembly (See SN Breaks)
56	3030030	Light Bulb, 40 Watt		0260550	Drain Trough Assembly (See SN Breaks)
57	3050180	Light Socket, Double (See SN breaks)	120	6201270	Screw, #8-18 x 5/8" PH PN SS-Gnd
	3050250	Sckt, Light Md Base Dbl (See SN breaks)	121	6120050	Tube Clamp, Plastic, 5/8"
	4161610	Light Assy, Upper Freezer (Incl. Socket)	122	6200120	Screw, #10-12 x 1/2" Truss HD
58	4200160	Freezer Fan Motor (Blade not Incl.)	123	3450550	E-Ring / Klipping , 5/16"
59	6150030	Nut, #10-24 Hex SS	124	6120330	Wire Clip
60	0232770	Fan Bracket, Freezer	125	0168680	Shim - Hinge
61	6110270	Bolt, #10-32 x 1/4" RD HD	126	3421270	Hinge Bearing, 3/8" x 5/8"
62	3150060	Fan Blade, Freezer; 5 Prop; 5-1/2"	127	4321820	Power Cord
63	6201270	Screw, #8-18 x 5/8" PH PN SS-Gnd	128	6220220	Screw Grommet, 1/32" X 3/8" SQ.
64	0234040	Fre Evap Fan Shroud (See SN Breaks)	129	3520250	Water Inlet Fitting Assy
	0234440	Fre Evap Fan Shroud (See SN Breaks)	130	3140360	Fill Cup Plug

632 MECHANICAL VIEW



632 SEALED SYSTEM PARTS LIST

<u>Ref #</u>	<u>Part #</u>	<u>Description</u>
1	4202250	Compressor, Freezer (DA73) (See SN Breaks)
	4202280	Compressor, Freezer (EMI60HER) (See SN Breaks)
2	3111350	Relay, (8EA403) (Used with RG108 Compressor)
	3111041	Relay, (PTH490D-AS100) (Used with DA73 Compressor)
	3111460	Relay, (1351408) (Used with EMI60HER Compressor)
	3111390	Overload, (4TM419TFB) (Used with RG108 Compressor)
	3111430	Overload, (4TM419MFB) (Used with DA73 Compressor)
	3111470	Overload, (4TM757NFB) (Used with EMI60HER Compressor)
	3111133	Capacitor,(15Mf) (Used with RG108 Compressor)
	3111070	Running Capacitor, (12Mf) (Used with DA73 Compressor)
3	4251260	Heat Exchanger, Freezer
4	4201880	Compressor, Refrig. (EMI30HER
5	3111370	Relay, (1351400 - For EMI30HER Comp)
	3111410	Overload, (4TM734LFB - For EMI30HER Comp)
6	4251300	Heat Exchanger, Refrigerator
7	3120330	Condenser, Dual
8	3014230	Filter-Drier, High Side
9	6120170	Locking Cable Tie, Red, 11-1/2"
10	0168040	Drier Bracket
11	6201270	Screw, #8-18 x 5/8" PH PN SS-Gnd
12	3130470	Evaporator Coil, Fre (See SN Breaks)
	3130530	Evaporator Coil, Fre (See SN Breaks)
13	3011130	Freezer Accumulator
14	6201270	Screw, #8-18 x 5/8" PH PN SS-Gnd
15	3130260	Evaporator, Refrig.
16	6201270	Screw, #8-18 x 5/8" PH PN SS-Gnd
17	2600138	Drain Pan Heater Loop
18	3421410	Drain Pan Heater Loop Support
19	6200010	Screw, #10-12 x 3/4" Pan HD
20	6200010	Screw, #10-12 x 3/4" Pan HD
21	6150220	Nut, 5/16-18 Hex Zinc
22	6240050	Flat Washer, 5/16"
23	3150010	Rubber Grommet, Small, 5/8"
	3150170	Rubber Grommet, Large, 15/16"
24	6160030	Spacer, 5/16 x 7/16 x 5/8"
	6160070	Sleeve, 5/16 x 7/16 x 7/8"
25	3014100	Suction Line Drier (Service Only)

632 SEALED SYSTEM VIEW

25 - Suction Line Drier
(Not Shown)

