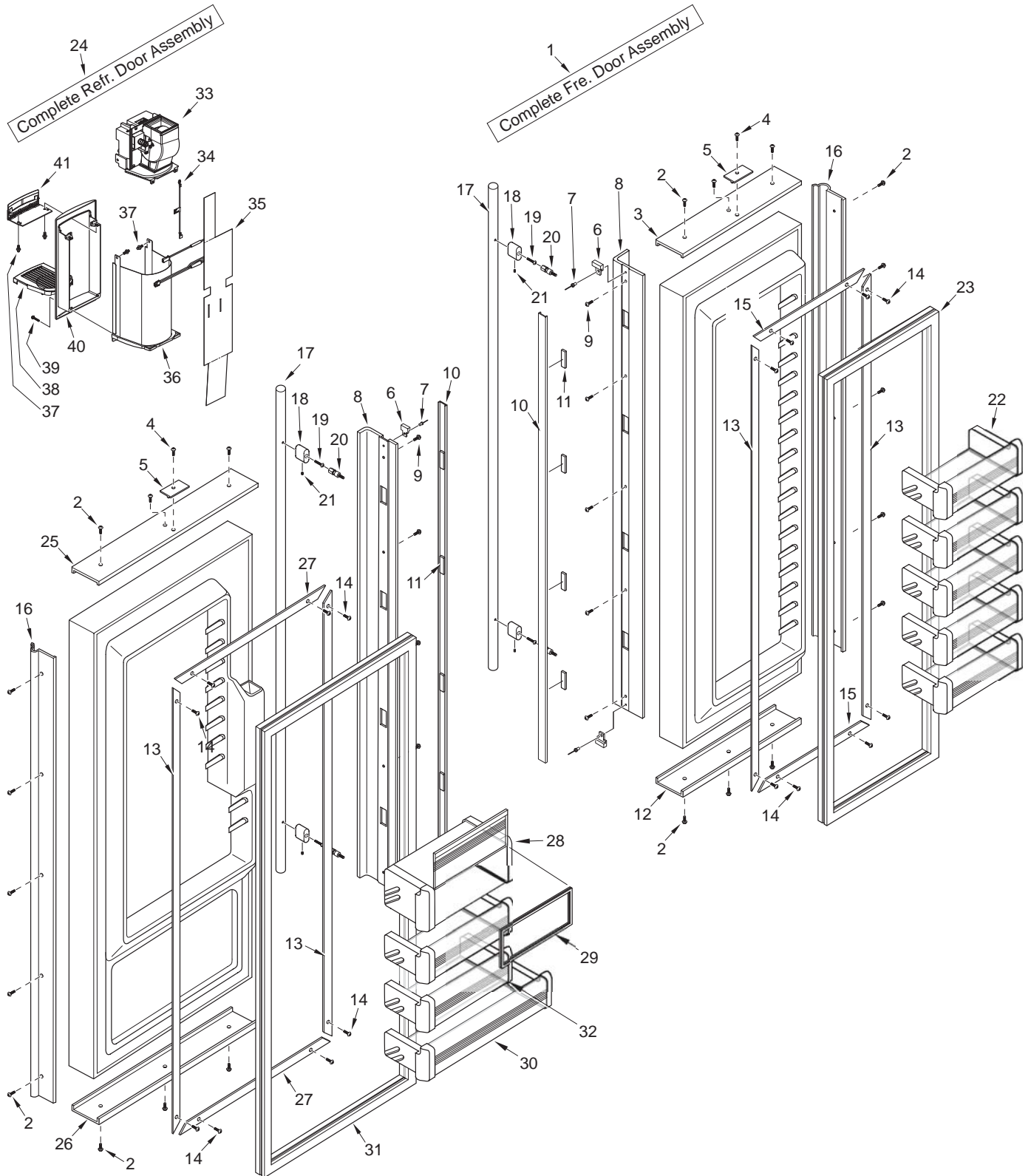


685-2 DOOR PARTS LIST (Starting with Serial #M2271174/P2273569)

<u>Ref #</u>	<u>Part #</u>	<u>Description</u>	<u>Ref #</u>	<u>Part #</u>	<u>Description</u>
1	4133175	Freezer Door Assy, Frame/Overlay	22	4330650	Fre Door Shelf Assy
	4133235	Fre Door Assy, SS	23	3212190	Door Gasket, Fre
NOTE:	Freezer door assy's do NOT incl. hinges or handle.		24	4135131	Door Assy, SRVC Ref 685 Frmd/Olay
2	6200720	Screw, #8-18 x 1/2 PH Truss HD		4135145	Door Assy, SRVC Ref 685 Stainless Steel
3	2230617	Door Trim, Top; Freezer	NOTE:	Refrig. Door Assy's incl. top hinge assy & dispenser assy; Do NOT incl. bot hinge, handle, bezel or grille.	
4	6200720	Screw, #8-18 x 1/2 PH Truss HD	25	2230615	Door Trim, Top; Refrigerator
5	4200940	Switch Depressor (Includes Screw)	26	2230616	Door Trim, Bottom; Refrigerator
6	3413340	Handle/Trim End Cap	27	3421620	Gasket Retainer, 23.125"
7	6180160	Rivet, Open End Blind, 1/8" X 3/16"	28	4330620	Dairy Compartment Assembly
8	4132220	Door Handle Assembly (Framed)	29	3211910	Dairy Compartment Gasket
	4132320	Handle-Side Door Trim (Overlay)	30	4330550	Refrig. Door Shelf Assembly (Regular)
9	6201300	Tapping Screw, #8 x 1/2"		4330540	Gallon Door Shelf Assy (Sales Acc.)
10	4131860	Handle/Trim Molding Assembly	31	3212180	Door Gasket, Refrigerator
11	3451140	Magnet, Trim Strip - 3"	32	4330630	Upper Refrig. Door Shelf Assembly
12	2230618	Door Trim, Bottom; Freezer	33	4204291	PCKG, Dispenser Assy
13	3420260	Gasket Retainer, 66.875"	34	3021480	Wiring Harness, Ground
14	6200410	Screw, #8 x 1/2" Slot Head Hex	35	3070390	Heater, Glasswell
15	3421610	Gasket Retainer, 13.813"	36	4204294	PCKG, Glasswell Liner/Sump
16	3511131	Door Trim, Hinge Side - Mitered Corner	37	6180330	Rivet, Plastic 1/4 DIA
	3511130	Door Trim, Hinge Side - (SS Model)	38	3414250	Grille, Glasswell
17	4133730	Handle Assy, SS OBR Standoffs	39	6201630	Screw, #8-16 X 1 SS (SS Units)
18	3512150	Standoff, SS Oval		6201640	Screw, #8-16 X 1-1/2 SS (Frmd/Olay)
19	6110720	Bolt #10-24X1/2 Socket HD Cap	40	4204293	PCKG, Dispenser Bezel/S
20	3511520	Handle Mounting Stud	41	4204292	PCKG, Dispenser Control Panel
21	6110730	Set Screw #10-32 X 1/4 SS Cone			



685-2 DOOR VIEW (Starting with Serial #M2271174/P2273569)

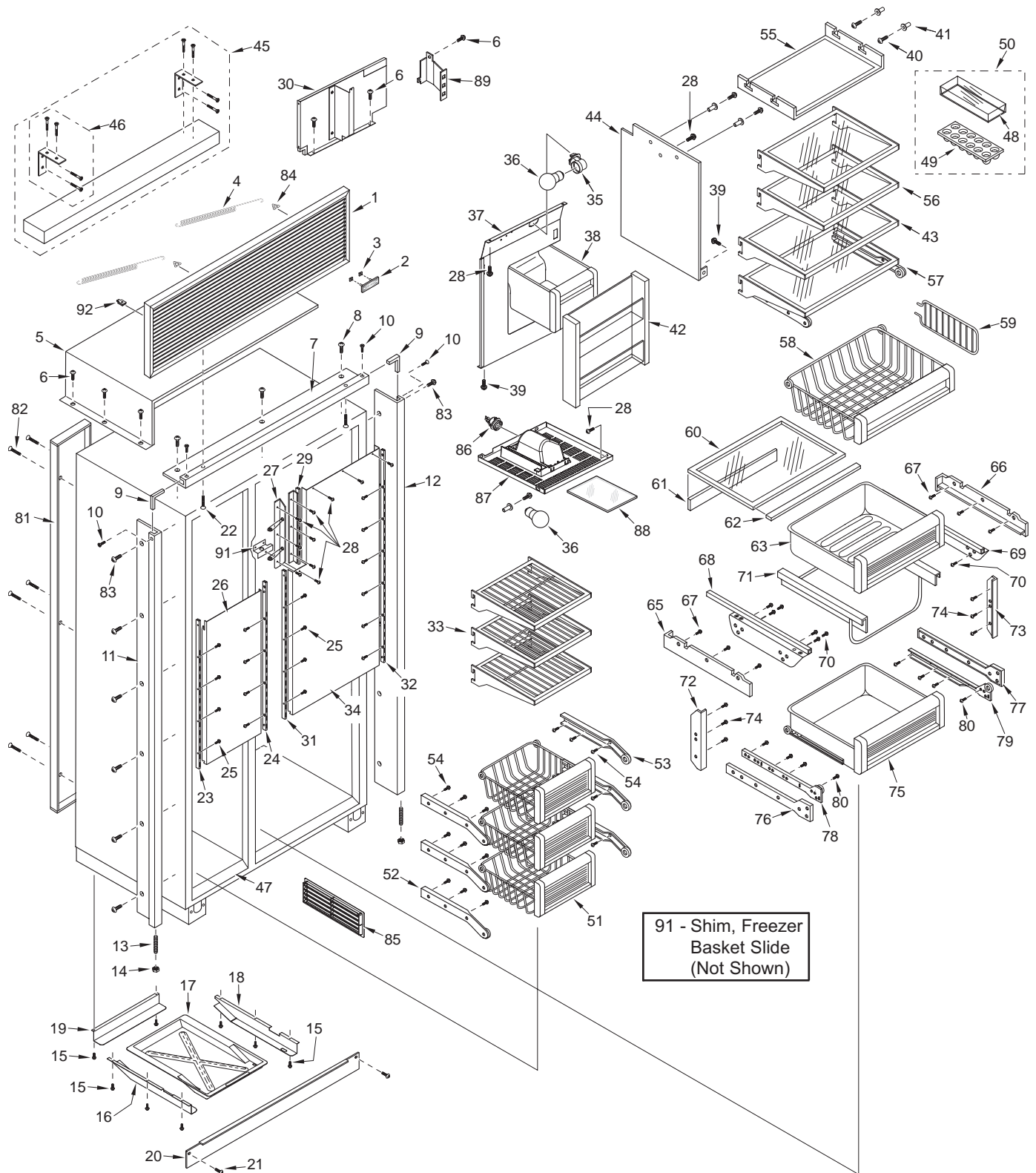


685-2 COSMETIC PARTS LIST (Starting with Serial #M2271174/P2273569)

Ref #	Part #	Description	Ref #	Part #	Description
1	6LG4211	Louvered Grille Assembly, 42" x 11"	44	0212420	Cover, Water Tank
	6PG4211	Panel Grille Assembly, 42" x 11"	45	4202860	Blocking Components; 42"
	6SG4211/S	SS Grille, 42X11-CLSC	46	4201340	Blocking Hardware Package
2	3580270	Logo, Stainless 3 1/2", (Stick-on)	47	4203920	Patch, Fre Face Frm Sill
	3580280	Logo, Framed 3 1/2" (With Pegs)	48	3412280	Egg Tray Cover
3	6150140	Spring Grip Nut, 1/8"	49	3412270	Egg Tray
4	3450900	Grille Spring	50	4131810	Egg Tray with Cover
5	4281450	Unit Shroud Assembly	51	4181970	Freezer Basket Assy
6	6200230	Screw, #8-18 x 1/2" Hex Head	52	4181842	Fre Bskt Slide Assy-LH
7	2234023	Frame, Main Top 42	53	4181841	Fre Bskt Slide Assy-RH
8	6200010	Screw, #10-12 x 3/4" Pan HD	54	6200450	Screw, #8 x 1" Type AR Flat
9	2210701	Main Frame Angle	55	4161490	Refrig. Light Diffuser Assembly
10	6200070	Screw, #4-24 x 3/8" Flat HD	56	3602100	Glass Shelf, Refrig Upper, Spill Proof
11	4120870	Frame Assy, Main Left-LH	57	4181650	Refrig. Roll-out Shelf Assy
12	4120860	Frame Assy, Main Rt-RH	58	4181530	Refrig. Roll-out Basket Assy
13	3550190	Bottom Hinge Stud	59	3411160	Ref Roll-Out Bskt Divider
14	6150200	Nut, 1/4-20 Hex	60	4151760	Crisper Glass Assembly (Incl Seals)
15	6200010	Screw, #10-12 x 3/4" Pan HD	61	3211780	Crisper Glass Seal, Rear
16	0262010	Support, Drain Pan, LH	62	3211750	Crisper Glass Seal, Front
17	2120121	Pan, Drain Vac Form	63	4181450	High Humidity Drawer Assembly
18	0262000	Support, Drain Pan, RH	64	N/A	
19	0262020	Support, Drain Pan, Rear	65	3421711	Top Crspr Glass Support, Narrow-RH
20	0169820	Kickplate, Solid (Black)	66	3421721	Top Crisper glass Support, Wide-RH
	0168210	Kickplate, Stainless Steel	67	6201130	Screw, #8x 1/2" PH FL HD SS
21	6200050	Screw, #10-12 Pan Hd	68	4181421	Top Crisper Slide Assy, Narrow-RH
	6200720	Screw, #8-18x1/2 Ph Tr Hd (SS Model)	69	4181411	Top Crisper Slide Assembly, Wide-RH
22	6201310	Screw, #8 x 1-3/4" Flat PH HD	70	6201270	Screw, #8-18 x 5/8" PH PN SS-Gnd
23	3602350	Fre Shelf Ladder, Left	71	3421780	Humidity Drawer Slide-Frame
24	3602340	Fre Shelf Ladder, Right	72	3421732	Crisper Filler Strip, Wide
25	6200710	Screw, #8-18 x 3/8" Fillister HD	73	3421731	Crisper Filler Strip, Narrow
26	0201320	Freezer Duct	74	6201270	Screw, #8-18 x 5/8" PH PN SS-Gnd
27	4151400	Tank Cover Bracket Assembly	75	4181480	Small Storage Drawer Assembly
28	6201270	Screw, #8-18 x 5/8" PH PN SS-Gnd	76	3421691	Bott Crisper Slide Support, Narrow
29	4151410	Refrig. Upper Left Shelf Ladder Assy	77	3421692	Bott Crisper Slide Support, Wide
30	4281680	Shroud Assy, Compressor	78	3413112	Bot Crisper Slide, Cabinet - Left
31	3602060	Refrig. Shelf Ladder, Lower Left	79	3413111	Bot Crisper Slide, Cabinet - Right
32	3601811	Refrig. Shelf Ladder, Right	80	6201230	Screw, #8 x 7/8" w/a #7 PH FT Head
33	3602210	Freezer Wire Shelf	81	0261640	Duct, Back
34	0201140	Cover, Ref Evap	82	6201060	Screw, #8x1-1/4" PH FLAT TAP
35	3050230	Socket, Light Med Base Sngl	83	6201550	Screw, #8-18 Lw Prfl
36	3030030	Light Bulb, 40 Watt	84	3450520	Grille Hook
37	4162720	Light Assy, Fre Evap Front	85	3414180	Grille, Fre Air Duct
38	4181690	Ice Bucket Assy	86	3050260	Socket, Light Med Base
39	6200140	Screw, #8-15 x 3/8" Truss HD	87	4162740	Light Assy, Lower Fre
40	6201330	Screw, #8-18 x 5/8" PH PN SS-Gnd	88	3500720	Freezer Lower Light Diffuser
41	3520420	Insert / Diffuser Stand-off	89	0262080	Bracket, Cond Shroud
42	4181860	Juice Can Rack Assy	90	0169850	Bracket, Cold Plate Cover
43	3602041	Glass Shelf, Spill Proof	91	2121120	Shim, Fre Basket Slide



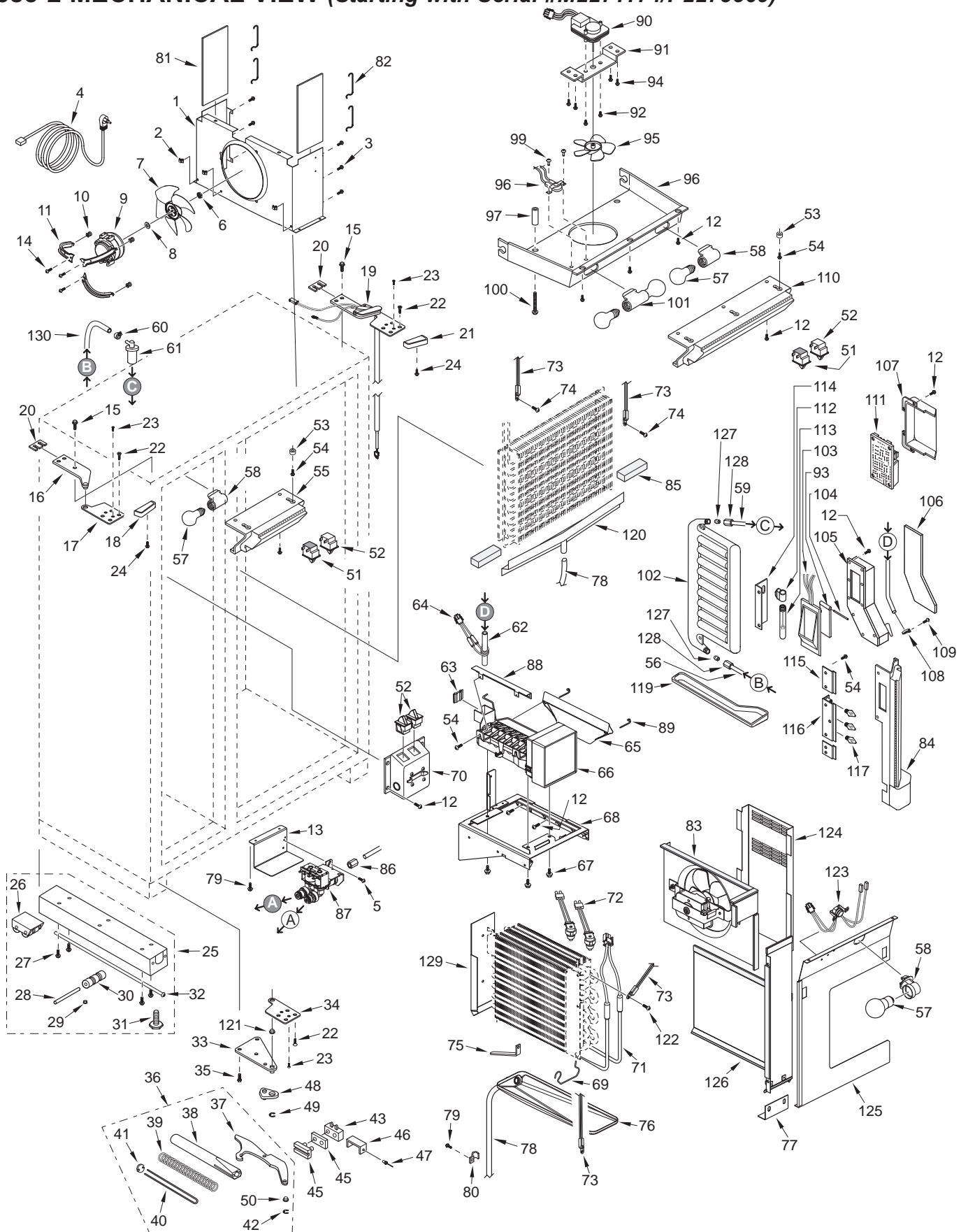
685-2 COSMETIC VIEW (Starting with Serial #M2271174/P2273569)



685-2 MECHANICAL PARTS LIST (Starting with Serial #M2271174/P2273569)

Ref #	Part #	Description	Ref #	Part #	Description
1	0262520	Shroud, Cond Fan	63	3140360	Fill Cup Plug
2	6120460	Push-in Wire Tie PWMS-H25-M	64	3070210	Fill Tube Heater
3	6201420	Screw	65	3140400	Icemaker Rudder Arm
4	3025560	Cord Assy, Power Supply	66	4200522	Icemaker Assembly
5	6200060	Screw, #8-32 x 1/2" Pan HD	67	6201000	Screw #8-32X3/8 Thread Forming
6	6150410	Nut, 1/4-20	68	4182041	SRVC Assy, Ice Bucket Main Frame
7	3150800	Blade, Condenser Forward-SW	69	3451050	Clip, Defrost Heater
8	3210340	Neoprene Silencer, 7/8"	70	4220420	Auger Motor Assy (Incl motor & switches)
9	4200740	Motor Pkg, Cond Fan (blade not incl.)	71	3070230	Heater, Defrost
10	3220360	Grommet, Mtg Brkt	72	3082060	Defrost Terminator
11	0261150	Brkt, Cond Mounting (3)	73	4204150	Thermistor, ASM Srvc Pkg
12	6201270	Screw, #8-18 x 5/8" PH PN SS-Gnd	74	6201270	Screw, #8-18 x 5/8" PH PN SS-Gnd
13	0262090	Bracket, Water Valve	75	0261810	Heat Conductor, Drain Tube
14	6201580	Screw, #8-36 X 1/2 Nylon Patch	76	3000040	Drain Trough, Fre Evap
15	6110070	Bolt, 1/4-20x3/4 Spinlock Zinc	77	0262050	Bracket, Drain Pan
16	4151272	Cabinet Hinge Assy, Upper LH	78	1601400	Drain Tube, Wire - 1/2" x 72"
17	4151472	Door Hinge Assy, Top LH	79	6200010	Screw, #10-12 x 3/4" Pan HD
18	3541018	Top Cabinet Hinge Cover, LH	80	6120050	Tube Clamp, Plastic, 5/8"
19	4325200	W/H, Ref Door Hinge	81	3212460	Gasket, Condenser
20	0168680	Shim - Hinge	82	1801100	Heater Clip
21	3541017	Top Cabinet Hinge Cover, RH	83	4220640	Assy, Fre Evap Fan Shroud
22	6110540	Bolt, #10-24 x 1/2" Flat Socket HD	84	4161463	Vertical Cntrl Pnl Assy
23	6200390	Screw, #6 x 3/8" T25 Flat Head PH	85	6231490	Tape, Foam XLPE
24	6200140	Screw, #8-15 x 3/8" Truss HD	86	3520250	Water Inlet Fitting Assy
25	4110353	Base Assy (w/rollers)	87	3090330	Valve, Water Dual Quick Connect
26	4110331	Base Rear Roller Assy	88	0262630	Bracket, Ice Deflector
27	6200010	Screw, #10-12 x 3/4" Pan HD	89	6120470	Wire Tie, Black
28	3550560	Straight Pin, Base Assy - .312" x 2.88"	90	4200170	Refrig. Fan Mtr Cmpnts (Blade not Incl.)
29	3450620	Canoe Clip	91	0211620	Refrig Fan Bracket
30	3421240	Cabinet Roller (Single)	92	6110270	Bolt, #10-32 x 1/4" RD HD
31	3570050	Leveling Leg, #18-3/8 x 1"	93	4203810	Mullion Chute HTR Rplcmnt
32	6110580	Adjusting Screw	94	6201270	Screw, #8-18 x 5/8" PH PN SS-Gnd
33	4151281	Cabinet Hinge Assy, Lower RH	95	3150640	Fan blade, Ref/Fre Evap.
	4151282	Cabinet Hinge Assy, Lower LH	96	4161480	Refrig. Fan Shroud Assy
34	4151241	Door Hinge, Bottom RH	97	6220540	Screw Grommet / Stand-off
	4151242	Door Hinge, Bottom LH	98	3082140	Light Terminator
35	6110070	Bolt, 1/4-20x3/4 Spinlock Zinc	99	6180010	Pop Rivet, 1/8"
36	4201111	Door Closer Assy, RH	100	6201010	Screw, #8-15 x 2" Pan Head
	4201112	Door Closer Assy, LH	101	3050250	Sckt, Light M Base Dbl
37	NA	See 4201111, 1112, 1115 or 1116	102	4181710	Water Resrvr Tank Assy (Incl water lines)
38	NA	See 4201111, 1112, 1115 or 1116	103	3515940	Mullion Chute Door
39	3450530	Door Closer Spring	104	3421360	Chute Door Rod
	3450710	Low-Pull Door Closer Spring	105	4181230	Ice Chute/Water Nozzle Assembly
40	3421290	Door Closer Linkage	106	3411530	Ice Chute Cover
41	0165980	Door Closer Spring Retainer	107	3413810	Control Enclosure
42	3421260	Door Closer Bearing	108	6120120	Tube Clamp, 3/8" Stl w/nut
43	3450570	Door Closer Cushion	109	6200330	Screw, #8-18 x 3/8" Pan Head
44	0165970	Door Closer Guide Support	110	4162931	Front Assy, Ref
45	3421310	Door Closer Guide	111	4204280	Cntrl Board, Dual Dispense
46	0166360	Door Stop Cushion Retainer	112	3050220	Socket, Light Base Sngl
47	6180010	Pop Rivet, 1/8"	113	3030040	Light Bulb, Long/Narrow; 40 watt
48	DS90	Door Stop-90 Degree	114	0212790	Bracket, Display Light
	DS105	Door Stop-105 Degree	115	0212270	Control Panel Retainer, Upper
49	3450560	E-Ring, 7/16"	116	0212280	Control Panel Retainer, Mid
50	3450550	E-Ring / Klipping , 5/16"	117	3030070	Light Bulb, 7W
51	3060140	SPST Light Switch (White)	118	0212290	Control Panel Retainer, Lower
52	3060130	SPST Fan/Icemaker Switch (White)	119	0212960	Mullion Trough
53	6160240	Nylon Spacer	120	0212600	Drain Trough Assembly
54	6200720	Screw, #8-18 x 1/2 PH Truss HD	121	3421270	Hinge Bearing, 3/8" x 5/8"
55	4162911	Front Assy, Fre	122	6200120	Screw, #10-12 x 1/2" Truss HD
56	3024220	Tube, Plastic Water -118-3/8"	123	3021590	Wire Hrns, Fre Upper Light
57	3030030	Light Bulb, 40 Watt	124	4152180	Cover Assy, Fre Fan
58	3050230	Socket, Light Med Base Sngl	125	4162720	Light Assy, Fre Evap Front
59	2600617	Plastic Water Line	126	4152140	Cover Assy, Fre Evap
60	6220470	Fill Tube Clamp	127	3520050	Brass Insert, Solenoid
61	1607700	Water Inlet Tube	128	3520340	Water Tank Compression Nut
62	2605411	Water inlet Tube extension, 2.06"	129	0235720	Bracket, Drain Deflector
			130	3024230	Tube, Plastic Water

685-2 MECHANICAL VIEW (Starting with Serial #M2271174/P2273569)



685-2 SEALED SYSTEM PARTS LIST (Starting with Serial #M2271174/P2273569)

<u>Ref #</u>	<u>Part #</u>	<u>Description</u>
1	4202280	SRVC Compressor, Freezer (EMI60HER)
2	3111460	Relay, (1351408) (Used with EMI60HER Comp)
	3111470	Overload, (4TM757NFB) (Used with EMI60HER Comp)
	3111070	Running Capacitor, (12Mf) - (Used with DG51C Comp)
	3112210	Electrical Assy, DC51C - (Used with DG51C Comp)
3	4251590	Heat Exchanger, Freezer
4	4201880	SRVC Compressor, Refrig. (EMI30HER)
5	3111370	Relay, (1351400) - (Used with EMI30HER Comp)
	3111410	Overload, (4TM734LFB) - (Used with EMI30HER Comp)
	3111070	Running Capacitor, (12Mf) - (Used with EMUSC30HSC Comp)
	3112211	Electrical Assy, EMU30HSC - (Used with EMUSC30HSC Comp)
	3112212	Electrical Assy, (Used with EMT30HSC Comp)
6	4251570	Heat Exchanger, Refrigerator
7	3120510	Condenser, Wire on Tube
8	3014230	Filter-Drier, High Side
9	6120170	Locking Cable Tie, Red, 11-1/2"
10	0168040	Drier Bracket
11	6201270	Screw, #8-18 x 5/8" PH PN SS-Gnd
12	4211720	Evap Assy, Fre (INCL: Heat Exchanger & Electricals)
13	NA	
14	6201270	Screw, #8-18 x 5/8" PH PN SS-Gnd
15	3130630	Evaporator, Refrigerator
16	6201270	Screw, #8-18 x 5/8" PH PN SS-Gnd
17	2600138	Drain Pan Heater Loop
18	3421410	Drain Pan Heater Loop Support
19	6200010	Screw, #10-12 x 3/4" Pan HD
20	NA	
21	6150220	Nut, 5/16-18 Hex Zinc
22	6240050	Flat Washer, 5/16"
23	3150010	Rubber Grommet, Small, 5/8"
	3150170	Rubber Grommet, Large, 15/16"
24	6160030	Spacer, 5/16 x 7/16 x 5/8"
	6160070	Sleeve, 5/16 x 7/16 x 7/8"
25	3014100	Suction Line Drier (Service Only)



685-2 SEALED SYSTEM VIEW (Starting with Serial #M2271174/P2273569)

