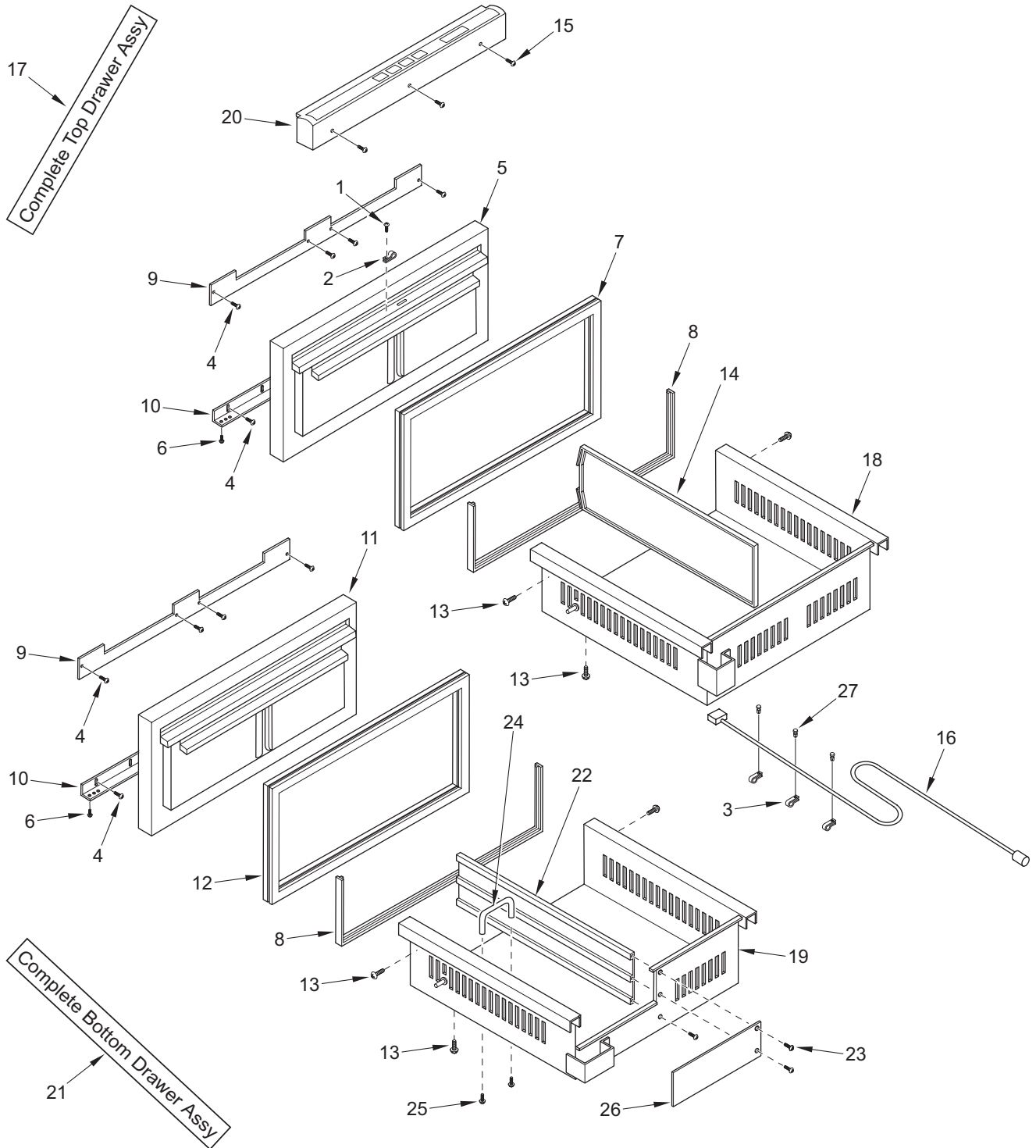


**700BF/I-3 DRAWER VIEW PARTS LIST**

<u>Ref #</u>	<u>Part #</u>	<u>Description</u>
1	6200080	Screw, #8-15 x 1/2" Truss HD
2	6120190	Tube Clamp, Steel, 3/16"
3	6120280	Clamp, Tube Nylon 3/16"
4	6200720	Screw, #8-18 x 1/2 PH Truss HD
5	4131730	Upper Drawer Front Assy
6	6201500	Screw, #10X3/4 Drill PH Hex Was
7	3212220	Gasket, Drawer-UPR
8	3211560	Seal, Tub White 37-5/8"
9	3421930	Bracket, Door Panel-Upper
10	3421940	Bracket, Door Panel-Lower
11	4131750	Lower Drawer Front Assy
12	3212230	Gasket, Drawer-LWR
13	6200110	Screw, #10-12 x 5/8" Truss SS
14	3601340	Divider, Top Drawer
15	6200700	Screw, #6-20 x 5/8" PH Flat HD SS
16	3025480	Wire Harness, Display Flexible
17	4136460	Drawer Assy, Upr BF Srvc
18	3414750	Tub, Upper BF Drawer
19	3414210	Tub, Lower Drawer
20	4163011	Ctrl Assy, BF/BFI Srvc
21	4135310	Drawer Assy, LWR
22	3601420	Divider, Ice Drawer
23	6200710	Screw, #8-18X3/8" Fillister HD
24	3511040	3" Wire Pull (with IM only)
25	6200080	Screw, #8-15X1/2" Truss HD (with IM only)
	3550400	Hole Plug (w/o IM only)
26	3414230	Filler Plate, Drawer tub
27	6180340	Snap Rivet, Plastic White 13/64

NOTE: *Drawer panels on this model are a sales accessory. For part numbers of complete door panel sets or components of the door panel sets, contact the factory.*

700BF/I-3 DRAWER VIEW

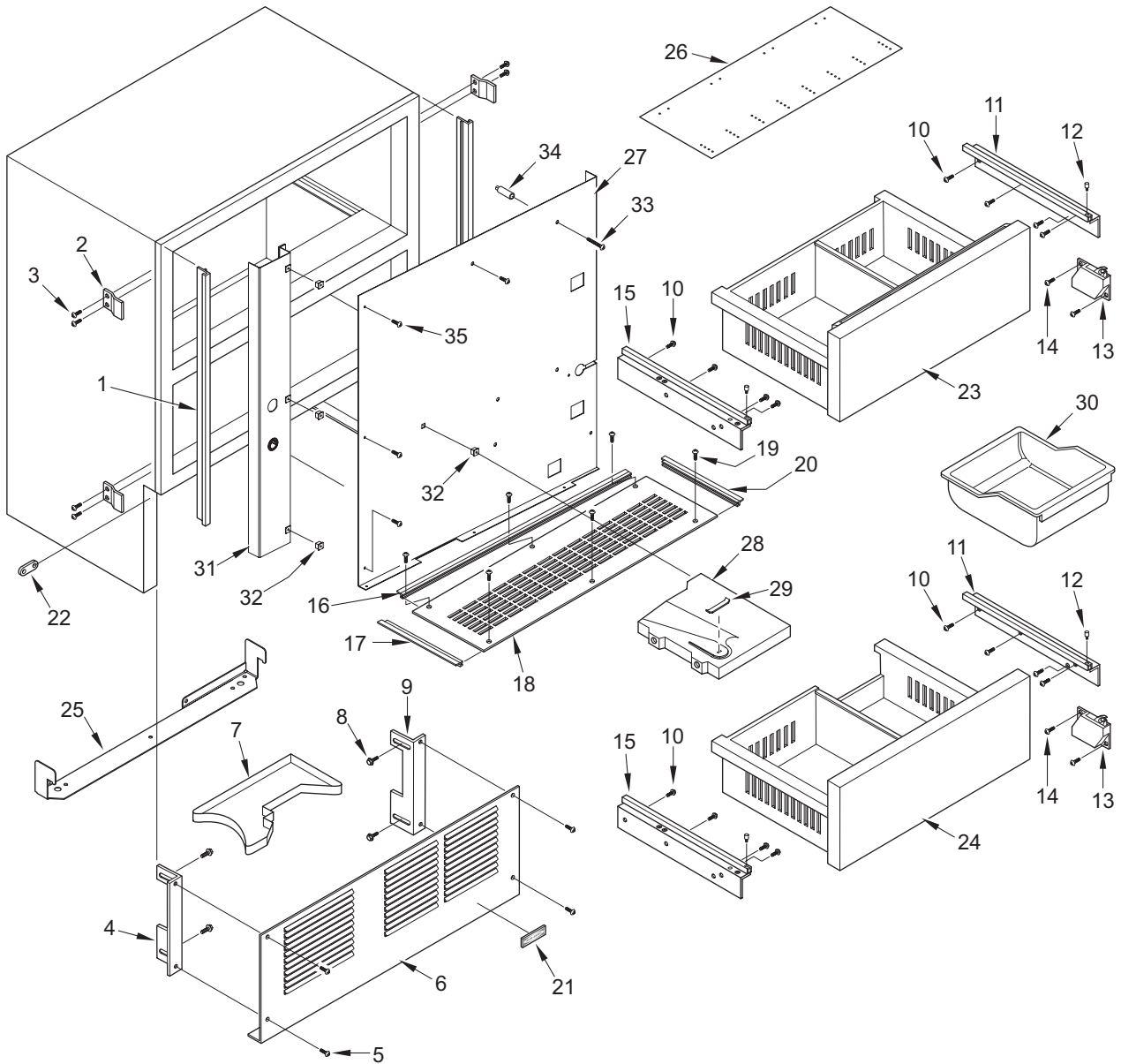




700BF/I-3 COSMETIC VIEW PARTS LIST

<u>Ref #</u>	<u>Part #</u>	<u>Description</u>
1	3516020	Molding, Side
2	3421510	Bracket, Ref to Cab
3	6201180	Screw, Tapping, #8 x 1/2" PH FL HD
4	0167662	Kickplate Brkt,LH
5	6200050	Screw, #10-12 x 1/2" Pan HD
6	3530430	Grille, Kickplate
7	0167450	Pan, Drain TB & UC
8	6200780	Screw, #10-24 x 1/2" PH Hex
9	0167661	Kickplate Brkt,RH
10	6200140	Screw, 1/4-20 x 1/2" Sems But HD
11	4134430	Drawer Assy, Slide-RH
12	3550720	Pin, White Thread
13	3541020	Closer, Drawer
14	6200110	Screw, #10-12 x 5/8" Truss SS
15	4134440	Drawer Assy, Slide-LH
16	3211493	Sump Cover Seal-Back
17	3211492	Sump Cover Seal-LS
18	4151900	Evap. Sump Cover Assy. (Incl. Seals)
19	6200080	Screw, #8-15 x 1/2" Truss HD
20	3211491	Sump Cover Seal-RS
21	3580170	Nameplate
22	3421460	Bracket-Unit to Unit
23	NA	See Drawer View & Drawer Parts List
24	NA	See Drawer View & Drawer Parts List
25	0167550	Bracket, Anti Tip
26	3754220	Door Panel Drilling Template
27	4152332	Air Duct Assy Main, BF Svc
28	0233491	Wire Tray
29	3450780	Clip, Wire
30	3412080	Bucket, Ice
31	4152331	Air Duct Assy LH, BF Svc
32	6220220	Screw Grommet, 1/32 x 3/8" SQ
33	6201010	Screw, #8-15 x 2" Pan Head
34	6160310	Standoff, Nylon 1"
35	6201270	Screw, #8-18 x 5/8" PH PN SS-Gnd

700BF/I-3 COSMETIC VIEW

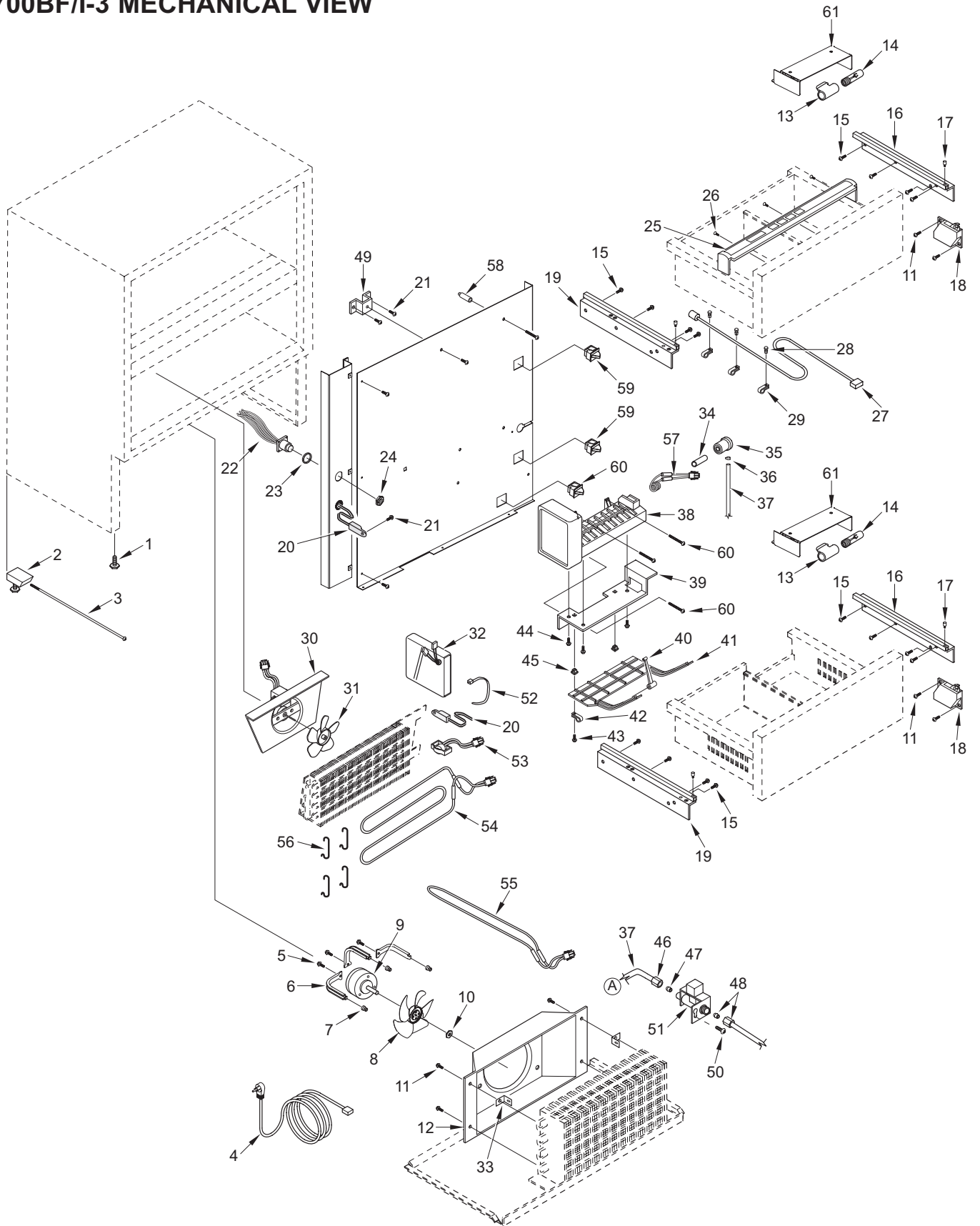




700BF/I-3 MECHANICAL VIEW PARTS LIST

<u>Ref #</u>	<u>Part #</u>	<u>Description</u>	<u>Ref #</u>	<u>Part #</u>	<u>Description</u>
1	3570060	Bolt, Leveler 3/8-16X2-1/8	34	2605405	Tube, Extension Fill
2	4202000	Rear Leveler Assembly	35	1607600	Tube, Inlet
3	3421500	Adjusting Rod	36	6220470	Fill Tube Clamp
4	3025570	Retractor Assy, Power Cord	37	2600617	Plastic Water Line (See SN Breaks)
5	6201000	Screw #8-32X3/8 Thread Forming		3026450	Tube,Plstc Water Pex (See SN Breaks)
6	0261150	Bracket, Cond Fan Mtg	38	4200520	Modular Ice maker (See IM Breakdown at back of this parts manual)
7	3220360	Grommet, Mtg Brkt			
8	3150800	Blade, Condenser FW-SW	39	0167700	Bracket, Ice maker
9	4200740	Motor Pkg, Cond Fan	40	3421070	Rod, Connecting
10	6150410	Nut, 1/4-20	41	3140300	Arm, Ice maker Cntrl
11	6200030	Screw, #10-12 x 5/8", Truss CP	42	6120280	Clamp, Tube Nylon 3/16"
12	4281320	Shroud Assy, Cond Fan	43	6200080	Screw, #8-15 x 1/2" Truss HD
13	3050220	Socket, Light Int Base Sngl	44	6201000	Screw #8-32X3/8 Thread Forming
14	3030060	Bulb, Light 25W 1X2-1/2	45	6220220	Screw Grommet, 1/32 x 3/8" SQ
15	6201140	Screw, 1/4-20X1/2" Sems But HD	46	3520030	Ice maker Nylon Nut, 1/4"
16	4134430	Drawer Assy, Slide-RH	47	3520050	Brass Insert, Solenoid
17	3550720	Pin, White Thread	48	3520470	PCKG, Valve Fitting
18	3541020	Closer, Drawer		3024910	Tube,Plstc Water Pex (See SN Breaks)
19	4134440	Drawer Assy, Slide-LH	49	0167690	Bracket, Grounding
20	4204150	Thermistor, ASM Srvc Pkg	50	6200780	Screw, #10-24X1/2" PH Hex Washer
21	6201270	Screw, #8-18 x 5/8" PH PN SS-Gnd	51	4202790	Water Valve (See SN Breaks)
22	4204020	Wire Harness, Display Replacement		3090390	Valve, Wtr Qck Cnct (See SN Breaks)
23	6160370	Gasket, Rubber 13/16 MP3	52	6120450	Locking Cable Tie 9.7" BLK
24	6151010	Nut, Plastic 13/16-28 UNS	53	3082090	Terminator, Defrost
25	4163011	Ctrl Assy, BF/BFI Srvc	54	3070020	Heater, Defrost
26	6200700	Screw, #6-20 x 5/8" PH Flat HD SS	55	3013540	Heater, Drain Tube
27	3025480	Wire Harness, Display Flexible	56	1801100	Clip, SS Heater Blower
28	6180340	Snap Rivet, Plastic White 13/64	57	3070210	Heater, Fill Tube
29	6120280	Clamp, Tube Nylon 3/16"	58	6160310	Standoff, Nylon 1"
30	4201940	Evap Fan Motor Assy	59	3060140	SPST Light Switch
31	3150060	Blade, Fan 5-Prop 5-1/2"	60	3060130	SPST Fan/Ice maker Switch
32	4162751	Control Assy, Base Main Board Srvc	61	0212932	Bracket, Light Srvc-Base
33	3450290	Bracket, Angle #8a			

700BF/I-3 MECHANICAL VIEW



**700BF/I-3 SEALED SYSTEM VIEW PARTS LIST**

<u>Ref #</u>	<u>Part #</u>	<u>Description</u>
1	4201860	Compressor Assy, FGS70
2	3112214	Electrical Assy, EGU70 (Used w/Production EGU70HLC Comp)
	3111270	Capacitor, 20 Mf (Used w/Production and Service Comp)
	3111350	Relay (Used w/Service FGS70 Comp)
	3111380	Overload (Used w/Service FGS70 Comp)
3	6150220	Nut, 5/16-18 Hex Zinc
4	6240050	Flat Washer, 5/16"
5	6160070	Sleeve, 5/16 x 7/16 x 7/8"
6	3150170	Rubber Grommet, Large, 15/16"
7	4311120	Tray, Unit Assy
8	4204240	Evap/Heat Exchanger Assy, Freezer
9	3014230	Filter-Drier, High Side
10	6120170	Locking Cable Tie, Red, 11-1/2"
11	3120310	Condenser
12	6180040	Pop Rivet, 3/16X1/8 Grip
13	6230370	Adhesive Back Foam Strip, 1 x 1/2"
14	3014100	Suction Line Drier (Service Only)



700BF/I-3 SEALED SYSTEM VIEW

