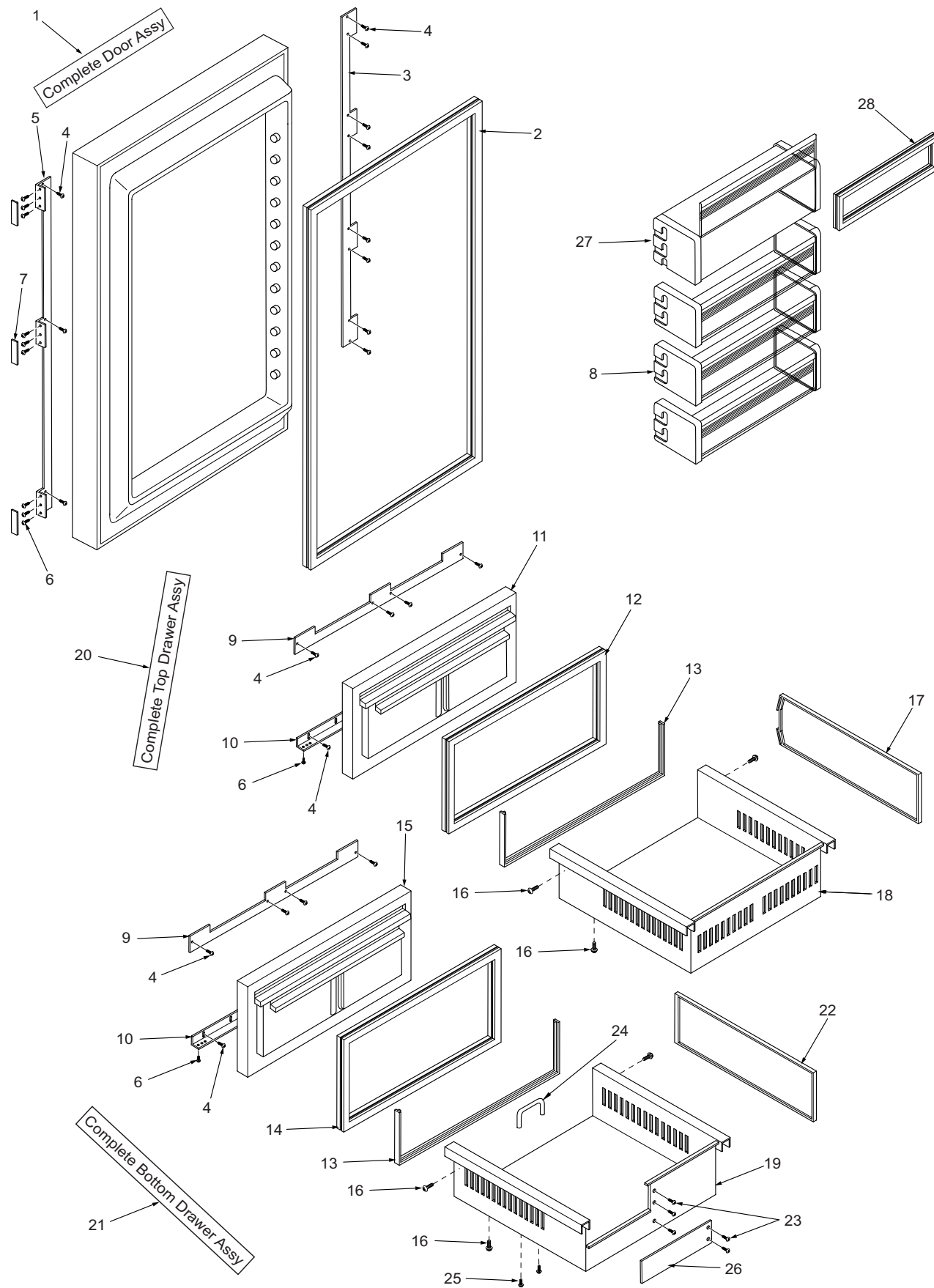

700TC/I-2 DOOR & DRAWER VIEW PARTS LIST

<u>Ref #</u>	<u>Part #</u>	<u>Description</u>
1	4202011	Door Assy, RH (<i>Hinges not include</i>)
	4202012	Door Assy, LH (<i>Hinges not include</i>)
2	3211510	Door Gasket
3	0183610	Door Panel Brkt-Handle Side
4	6200720	Screw, #8-18 x 1/2 PH Truss HD
5	0183600	Door Panel Brkt-Hinge Side
6	6201500	Screw, #10X3/4 Drill PH Hex Was
7	3421490	Panel Bracket Cover
8	4181270	Door Shelf Assembly
9	0183580	Drawer Panel Bracket-Upper
10	0183590	Drawer Panel Bracket-Lower
11	4131720	Upper Drawer Front Assembly
12	3211520	Upper Drawer Gasket
13	3211560	Seal, Tub White 37-5/8"
14	3211540	Lower Drawer Gasket
15	4131750	Lower Drawer Front Assy
16	6200110	Screw, #10-12 x 5/8" Truss SS
17	3414020	Divider, Top Drawer
18	3414000	Tub, Upr Drawer
19	3414010	Tub, Lwr Drawer
20	4134410	Drawer Assy, Top
21	4134420	Drawer Assy, Bottom w/IM
22	3414030	Divider, Bottom Drawer
23	6200710	Screw, #8-18 x 3/8" Fillister HD
24	3511040	3" Wire Pull (with IM only)
25	6200080	Screw, #8-15 x 1/2" Truss HD (with IM only)
	3550400	Hole Plug (w/o IM only)
26	3412420	Filler Plate, Drawer Tub Lower (w/o IM only)
27	4181260	Dairy Compartment Assembly (Includes Seal)
28	3211550	Diary Compartment Seal

NOTE: Door/Drawer panels on this model are a sales accessory. For part numbers of complete door panel sets or components of the door panel sets, contact the factory.

700TC/I-2 DOOR & DRAWER VIEW



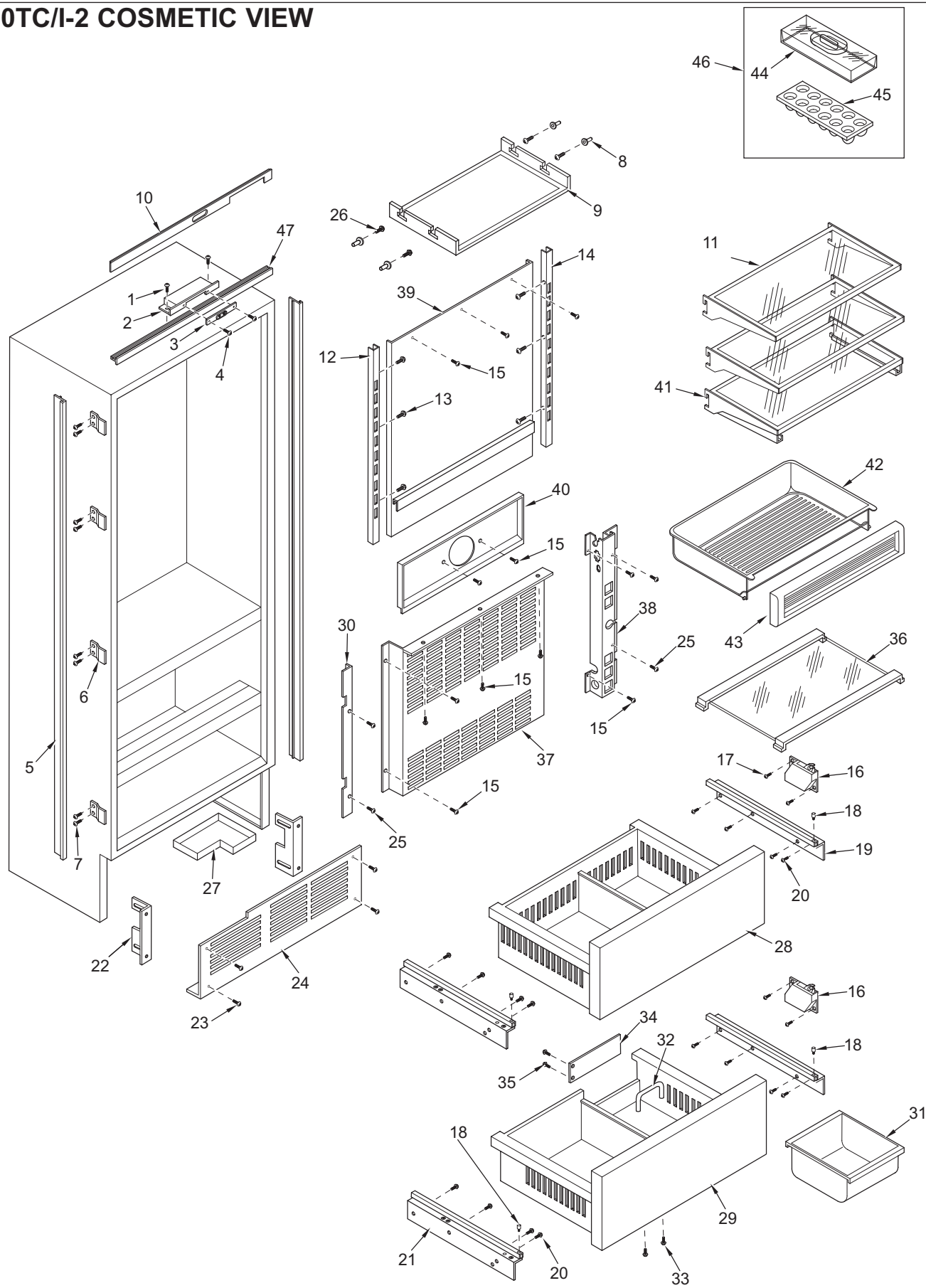
700TC/I-2 COSMETIC VIEW PARTS LIST

<u>Ref #</u>	<u>Part #</u>	<u>Description</u>	<u>Ref #</u>	<u>Part #</u>	<u>Description</u>
1	6200010	Screw, #10-12 x 3/4" Pan HD	24	3530430	Kickplate/Grille
2	0212470	Box, Ref Switch	25	6201120	Screw, #8-18 x 1.75 Truss SS
3	3450920	Bracket, Switch Mounting	26	6201330	Screw, #8 PH-Pan Head 1"
4	6200210	Screw, #8-32 x 1/2" Flat Head	27	0168880	Pan, Drain
5	3516010	Molding, Side	28	4134410	Drawer Assy, Top
6	3421510	Bracket, Unit to Cabinet	29	4134420	Drawer Assy, Bottom w/IM
7	6200720	Screw, Tap, #8 x 1/2" PH FL HD	30	0234680	Cover, Heat Exchanger
8	3520420	Insert / Diffuser Stand-off	31	3412080	Ice Bucket
9	4161140	Light Diffuser Assy	32	3511040	3" Wire Pull (with IM only)
10	3516451	Molding, Top RH	33	6200080	Screw, #8-15 x 1/2" (with IM only)
	3516452	Molding, Top LH		3550400	Hole Plug (w/o IM only)
11	3602320	Shelf, Glass Cantilever	34	3412420	Filler Plate, Drawer (w/o IM only)
12	3602270	Shelf Ladder, Left	35	6200710	Screw, #8-18 x 3/8" Fillister HD
13	6200710	Screw, #8-18 x 3/8" Fillister HD	36	4181330	Lower Glass Tray
14	3602280	Shelf Ladder, Right	37	4161190	Cold Plate Assy, Fre
15	6201270	Screw, #8-18 x 5/8" PH PN SS-Gnd	38	0260350	Enclosure, Switch
16	3541020	Drawer Closer	39	4281110	Cold Plate Assy
17	6200110	Screw, #10-12 x 5/8" Truss SS	40	4281300	Plate Assy, Fre Orifice
18	3550720	White Thread Pin	41	4181291	Shelf Assy, Deli-RH
19	4134430	Drawer Assy, Slide-RH		4181292	Shelf Assy, Deli-LH
20	6201140	Screw, 1/4-20 x 1/2" Sems But HD	42	3412090	Tray, Deli - 4"
21	4134440	Drawer Assy, Slide-LH		4181300	Tray Assy, Deli - 4" (Complete)
22	0167661	Kickplate Bracket - RS	43	3412100	Front, Deli - 4"
	0167662	Kickplate Bracket - LS	44	3412280	Egg Tray Cover
	6200780	Screw, #10-24 x 1/2" PH Hex Wash	45	3412270	Egg Tray
23	6200050	Screw, #10-12 x 1/2" Pan HD	46	4131810	Egg Tray with Cover
			47	4152070	Trim Assy, Top

NOT PICTURED

3580170	Nameplate
3754220	Door Panel Drilling Template
3421460	Bracket, Unit to Unit

700TC/I-2 COSMETIC VIEW





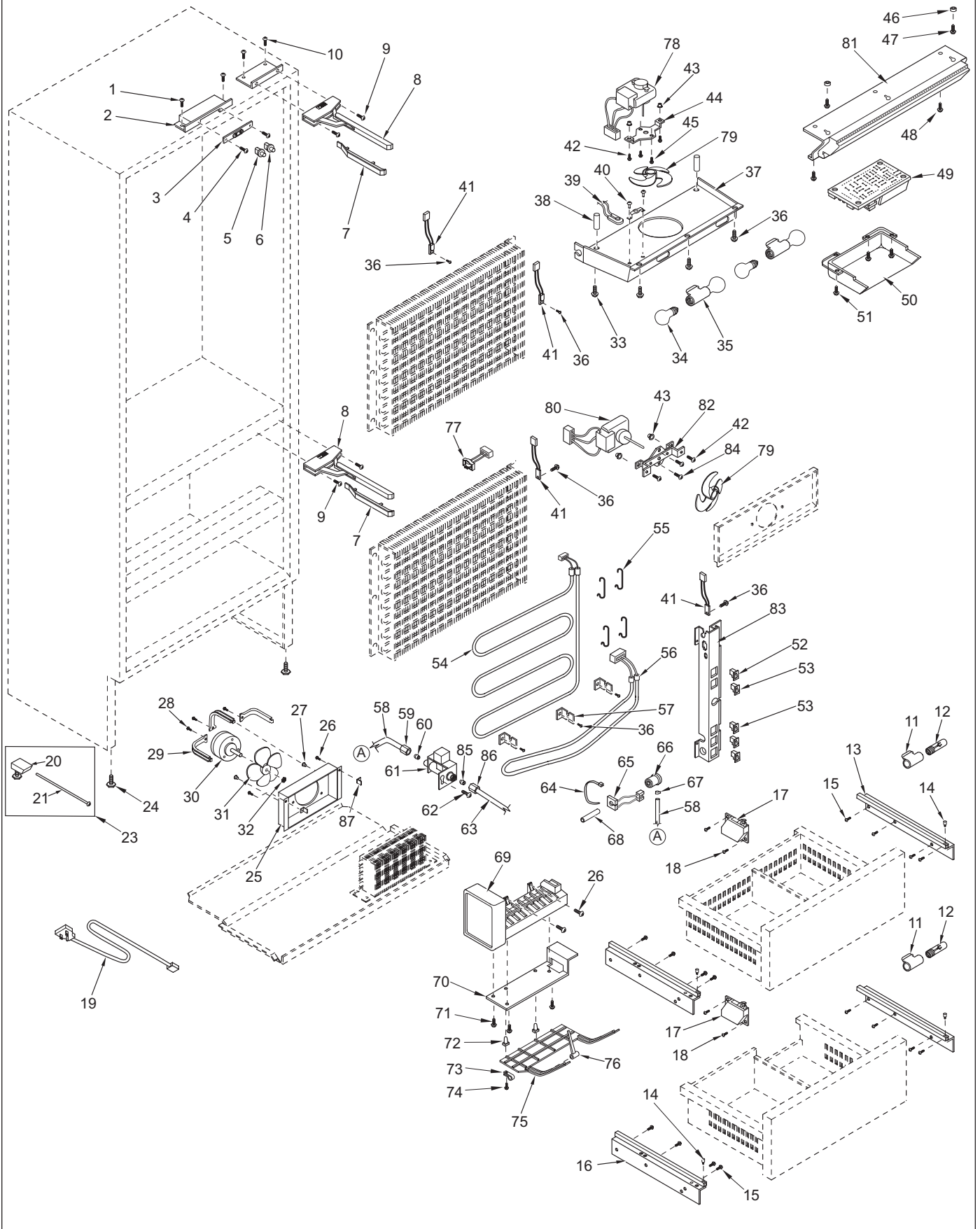
700TC/I-2 MECHANICAL VIEW PARTS LIST

Ref #	Part #	Description	Ref #	Part #	Description
1	6200010	Screw, #10-12 x 3/4" Pan HD	44	0260370	Bracket, Fan
2	0212470	Box, Ref Switch	45	6110270	Bolt, #10-32 x 1/4" RD HD
3	3450920	Bracket, Switch Mounting	46	6160240	Nylon Spacer
4	6200210	Screw, #8-32 x 1/2" Flat Head	47	6200720	Screw, Tap, #8 x 1/2" PH FL HD
5	3060030	Light Switch, N/C	48	6201270	Screw, #8-18 x 5/8" PH PN SS-Gnd
6	3060020	Fan Switch, N/O	49	4203320	Pckg, Cntrl Board (See SN Breaks)
7	3541050	Hinge Cover		4203520	Pckg, Cntrl Board (See SN Breaks)
8	3541031	Hinge Assy, TOP - RH		4324860	Wire Hrns,Cntrl Brd (See SN Breaks)
	3541032	Hinge Assy, TOP - LH	50	4152050	Cover Assy, Control
	3541041	Hinge Assy, MDL - RH	51	6201270	Screw, #8-18 x 5/8" PH PN SS-Gnd
	3541042	Hinge Assy, MDL - LH	52	3060140	SPST Light Switch
9	6201140	Screw, 1/4-20 x 1/2" Sems But HD	53	3060130	SPST Fan/Icemaker Switch
10	6200780	Screw, #10-24 x 1/2" PH Hex Wash	54	4324890	Heater Assy, Defrost
11	3050010	Light Sckt,3/4 Sngl (See SN Breaks)	55	1801100	Heater Clip
	3050220	Skt,Light Int Base Sngl(See SN Breaks)	56	3070150	Heater, Drain Trough
12	3030060	Light Bulb, 25 Watt	57	0234620	Bracket, Heater
13	4134430	Drawer Assy, Slide-RH	58	2600617	Plastic Water Line
14	3550720	White Thread Pin	59	3520030	Icemaker Nylon Nut, 1/4"
15	6201140	Screw, 1/4-20 x 1/2" Sems But HD	60	3520050	Brass Insert, Solenoid
16	4134440	Drawer Assy, Slide-LH	61	4202790	Water Valve
17	3541020	Drawer Closer	62	6200780	Screw, #10-24 x 1/2" PH Hex Wash
18	6200110	Screw, #10-12 x 5/8" Truss SS	63	2604194	Tube, Water Line
19	4324800	Retractor Assy, Power Cord	64	6120450	Locking Cable Tie 9.7" BLK
20	NA	See 4202000	65	3013820	Fill Tube Heater
21	3421500	Adjusting Rod	66	1607600	Water Inlet Tube
22	NA	NA	67	6220470	Fill Tube Clamp
23	4202000	Rear Leveler Assembly	68	2605405	Fill Tube Extension
24	3570060	Bolt, Leveler 3/8-16	69	4200520	Modular Icemaker
25	4281310	Shroud Assy, Cond Fan	70	0167700	Bracket, Icemaker
	3220370	Grommet, 1/4" X 3/16" (Not Shown)		6120360	Snap-in Wire Clip (Not Shown)
26	6200010	Screw, #10-12 x 3/4" Pan HD	71	6201000	Screw #8-32X3/8 Thread Forming
27	3220360	Grommet, Mtg Brkt	72	6220220	Screw Grommet, 1/32 x 3/8" SQ
28	6201000	Screw #8-32X3/8 Thread Forming	73	6120280	Clamp, Tube Nylon 3/16"
29	0167430	Cond Fan Mtg Brkt (3 Required)	74	6200140	Screw, #8-15 x 3/8" Truss HD
30	4200740	Motor Pkg, Cond Fan	75	3140300	Icemaker Control Arm
31	3150320	Fan Blade, Cond -5 prop, 7"	76	3421070	Rod, Connecting
32	6150410	Nut, 1/4-20	77	3082090	Defrost Terminator
33	6201010	Screw, #8-15 x 2" Pan Head	78	4203330	Fan Package, Service
34	3030030	Light Bulb, 40 Watt	79	3150640	Fan blade, Evaporator
35	3050180	Light Socket, Dbl (See SN Breaks)	80	4200160	Fre Fan Motor (Brkt Included)
	3050250	Skt, Light M Bas Dbl(See SN Breaks)	81	4162590	Control Panel Assy
36	6201270	Screw, #8-18 x 5/8" PH PN SS-Gnd	82	4220550	Assy, Fan Brkt
37	4230540	Shroud Assy, Ref Fan	83	0260350	Enclosure, Switch
38	6220540	Screw Grommet/Stand-off, 1.375		4161150	Switch Enclosure Assy (700TCI-2)
39	3082140	Light Terminator		4161760	Switch Enclosure Assy (700TC-2)
40	6180010	Pop Rivet, 1/8"	84	6110270	Bolt, #10-32 x 1/4" RD HD
41	3014350	Thermistor	85	3520370	Compression Sleeve
42	6201470	Screw, #8-32X3/4 SS	86	3520380	Compression Nut
43	6150850	Wellnut, #8-32	87	3450290	Angle Bracket

NOT PICTURED

0167550 Anti-Tip Bracket

700TC/I-2 MECHANICAL VIEW



700TC/I-2 SEALED SYSTEM VIEW PARTS LIST

<u>Ref #</u>	<u>Part #</u>	<u>Description</u>
1	4201880	Service Comp, Refrig. (EMI30HER)
	3111370	Relay (For EMI30HER Comp)
	3111410	Overload (For EMI30HER Comp)
	3111212	Relay (For EMT30HSC Comp)
	3111600	Overload (For EMT30HSC Comp)
	3111070	Capacitor (For EMT30HSC Comp)
	4323520	Wire Harness, Run Capacitor
	0167620	Capacitor Mount Bracket
2	4251520	Heat Exchanger, Ref
3	4201860	Service Comp (FGS70)
	3111350	Relay (For FGS70 Comp)
	3111380	Overload (For FGS70 Comp)
	3111270	Capacitor (For FGS70 Comp)
	3111212	Relay (For EGU70HLC Comp)
	3111610	Overload (For EGU70HLC Comp)
	3111270	Capacitor (For EGU70HLC Comp)
	4323520	Wire Harness, Run Capacitor
	0167620	Capacitor Mount Bracket
4	4251510	Heat Exchanger, Fre
5	6150220	Nut, 5/16-18 Hex Zinc
6	6240090	Lock Washer, 5/16"
7	6240050	Flat Washer, 5/16"
8	6160070	Sleeve, 5/16 x 7/16 x 7/8"
9	3150170	Rubber Grommet, Large, 15/16"
10	4311110	Unit Tray Assembly
11	3120340	Condenser
12	6150080	Nut-Flat, #10-24
13	6110020	Bolt, #10-24 x 3/8" Truss HD
14	3130550	Evaporator, Ref
15	6201270	Screw, #8-18 x 5/8" PH PN SS-Gnd
16	3130540	Evaporator, Freezer
17	3014230	Filter-Drier, High Side
18	0260340	Bracket, Drier

700TC/I-2 SEALED SYSTEM VIEW

