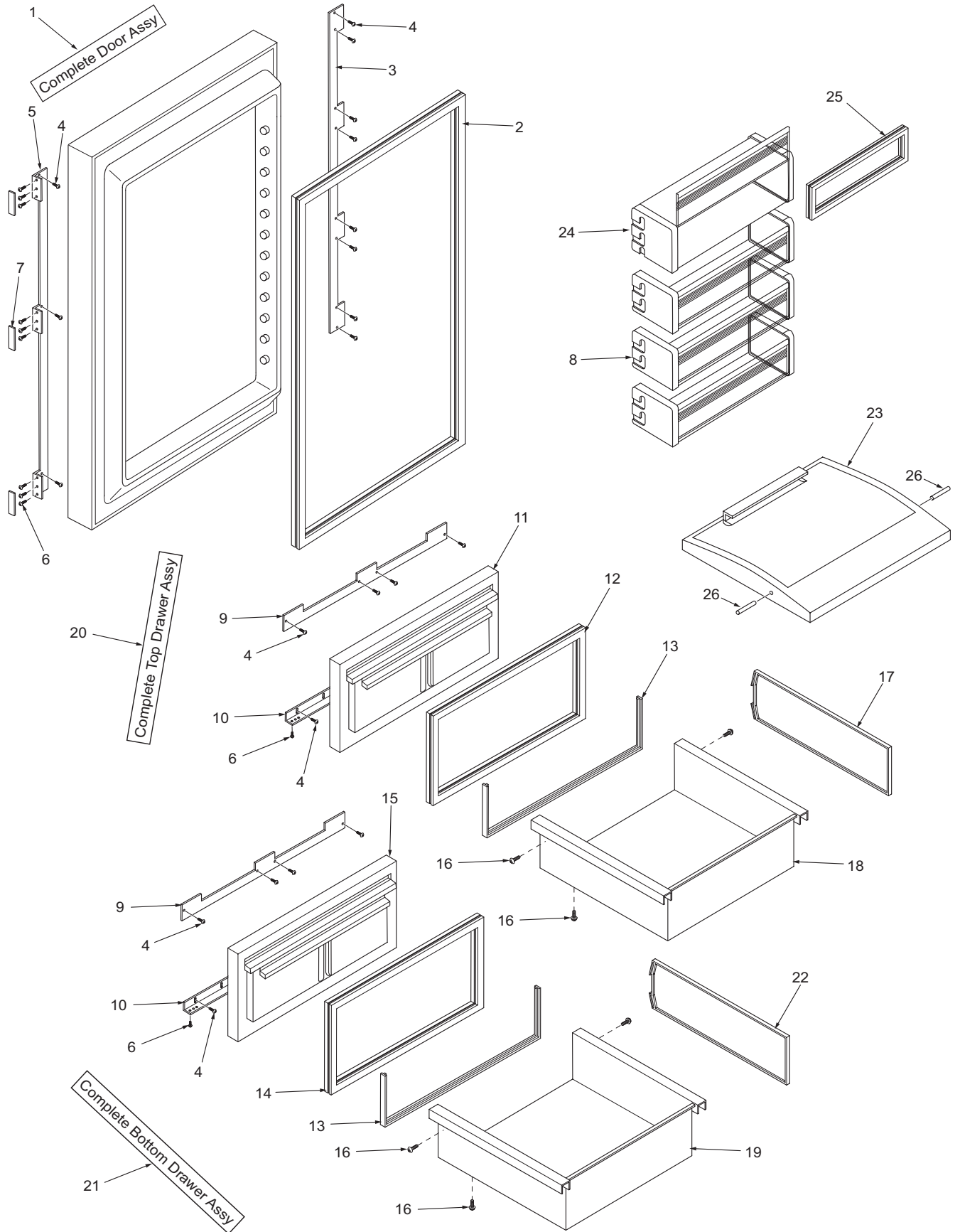

700TR-2 DOOR & DRAWER VIEW PARTS LIST

<u>Ref #</u>	<u>Part #</u>	<u>Description</u>
1	4202011	Door Assy, RH (<i>Hinges not include</i>)
	4202012	Door Assy, LH (<i>Hinges not include</i>)
2	3211510	Door Gasket
3	0183610	Door Panel Brkt-Handle Side
4	6200720	Screw, #8-18 x 1/2 PH Truss HD
5	0183600	Door Panel Brkt-Hinge Side
6	6201500	Screw, #10X3/4 Drill PH Hex Was
7	3421490	Panel Bracket Cover
8	4181270	Door Shelf Assembly
9	0183580	Drawer Panel Bracket-Upper
10	0183590	Drawer Panel Bracket-Lower
11	4131710	Upper Drawer Front Assembly
12	3211520	Upper Drawer Gasket
13	3211560	Seal, Tub White 37-5/8"
14	3211540	Lower Drawer Gasket
15	4131740	Lower Drawer Front Assy
16	6200110	Screw, #10-12 x 5/8" Truss SS
17	3601340	Upper Drawer Divider
18	3414060	Tub, Upr Drawer
19	3414070	Tub, Lwr Drawer
20	4134450	Drawer Assy, Top
21	4134460	Drawer Assy, Bot
22	3601350	Lower Drawer Divider
23	3470320	Crisper Lid Assembly
24	4181260	Dairy Compartment Assembly (Includes Seal)
25	3211550	Diary Compartment Seal
26	3412240	Pin, Crisper (2)

NOTE: *Door/Drawer panels on this model are a sales accessory. For part numbers of complete door panel sets or components of the door panel sets, contact the factory.*

700TR-2 DOOR & DRAWER VIEW





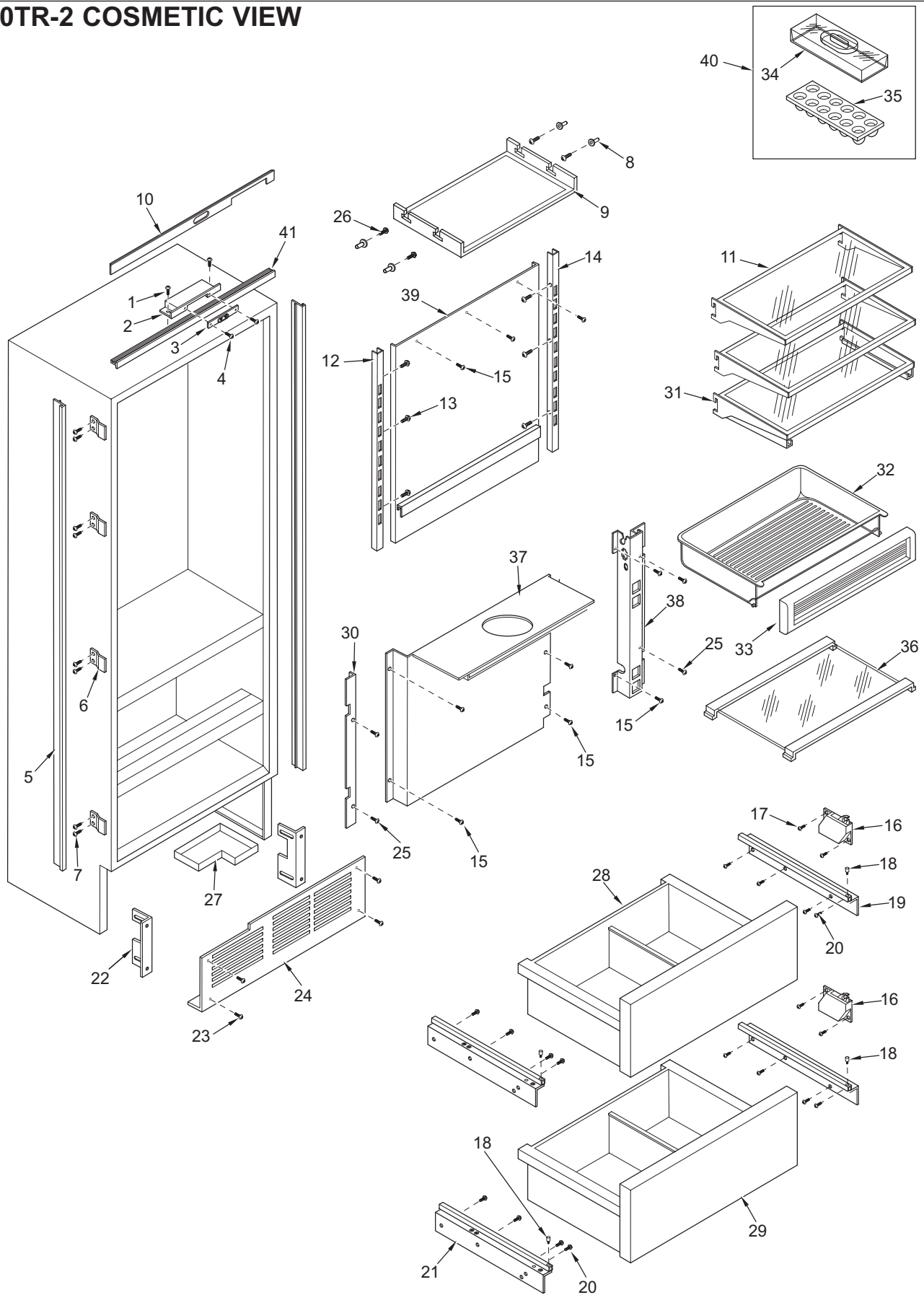
700TR-2 COSMETIC VIEW PARTS LIST

<u>Ref #</u>	<u>Part #</u>	<u>Description</u>	<u>Ref #</u>	<u>Part #</u>	<u>Description</u>
1	6200010	Screw, #10-12 x 3/4" Pan HD	22	0167661	Kickplate Bracket - RS
2	0212470	Box, Ref Switch		0167662	Kickplate Bracket - LS
3	3450920	Bracket, Switch Mounting		6200780	Screw, #10-24 x 1/2" PH Hex Wash
4	6200210	Screw, #8-32 x 1/2" Flat Head	23	6200050	Screw, #10-12 x 1/2" Pan HD
5	3516010	Molding, Side	24	3530430	Kickplate/Grille
6	3421510	Bracket, Unit to Cabinet	25	6201120	Screw, #8-18 x 1.75 Truss SS
7	6200720	Screw, Tap, #8 x 1/2" PH FL HD	26	6201330	Screw, #8 PH-Pan Head 1"
8	3520420	Insert / Diffuser Stand-off	27	0168880	Pan, Drain
9	4161140	Light Diffuser Assy	28	4134450	Drawer Assy, Top
10	3516451	Molding, Top RH	29	4134460	Drawer Assy, Bot
	3516452	Molding, Top LH	30	0234680	Cover, Heat Exchanger
11	3602320	Shelf, Glass Cantilever	31	4181291	Shelf Assy, Deli-RH
12	3602270	Shelf Ladder, Left		4181292	Shelf Assy, Deli-LH
13	6200710	Screw, #8-18 x 3/8" Fillister HD	32	3412090	Tray, Deli - 4"
14	3602280	Shelf Ladder, Right		4181300	Tray Assy, Deli - 4" (Complete)
15	6201270	Screw, #8-18 x 5/8" PH PN SS-Gnd	33	3412100	Front, Deli - 4"
16	3541020	Drawer Closer	34	3412280	Egg Tray Cover
17	6200110	Screw, #10-12 x 5/8" Truss SS	35	3412270	Egg Tray
18	3550720	White Thread Pin	36	4181320	Lower Glass Tray
19	4134430	Drawer Assy, Slide-RH	37	4281120	Cold Plate Assy, Lwr Ref (Fan Incl.)
20	6201140	Screw, 1/4-20 x 1/2" Sems But HD	38	0212480	Enclosure, Switch
21	4134440	Drawer Assy, Slide-LH	39	4281110	Cold Plate Assy
			40	4131810	Egg Tray with Cover
			41	4152070	Trim Assy, Top

NOT PICTURED

3580170	Nameplate
3754220	Door Panel Drilling Template
3421460	Bracket-Unit to Unit

700TR-2 COSMETIC VIEW





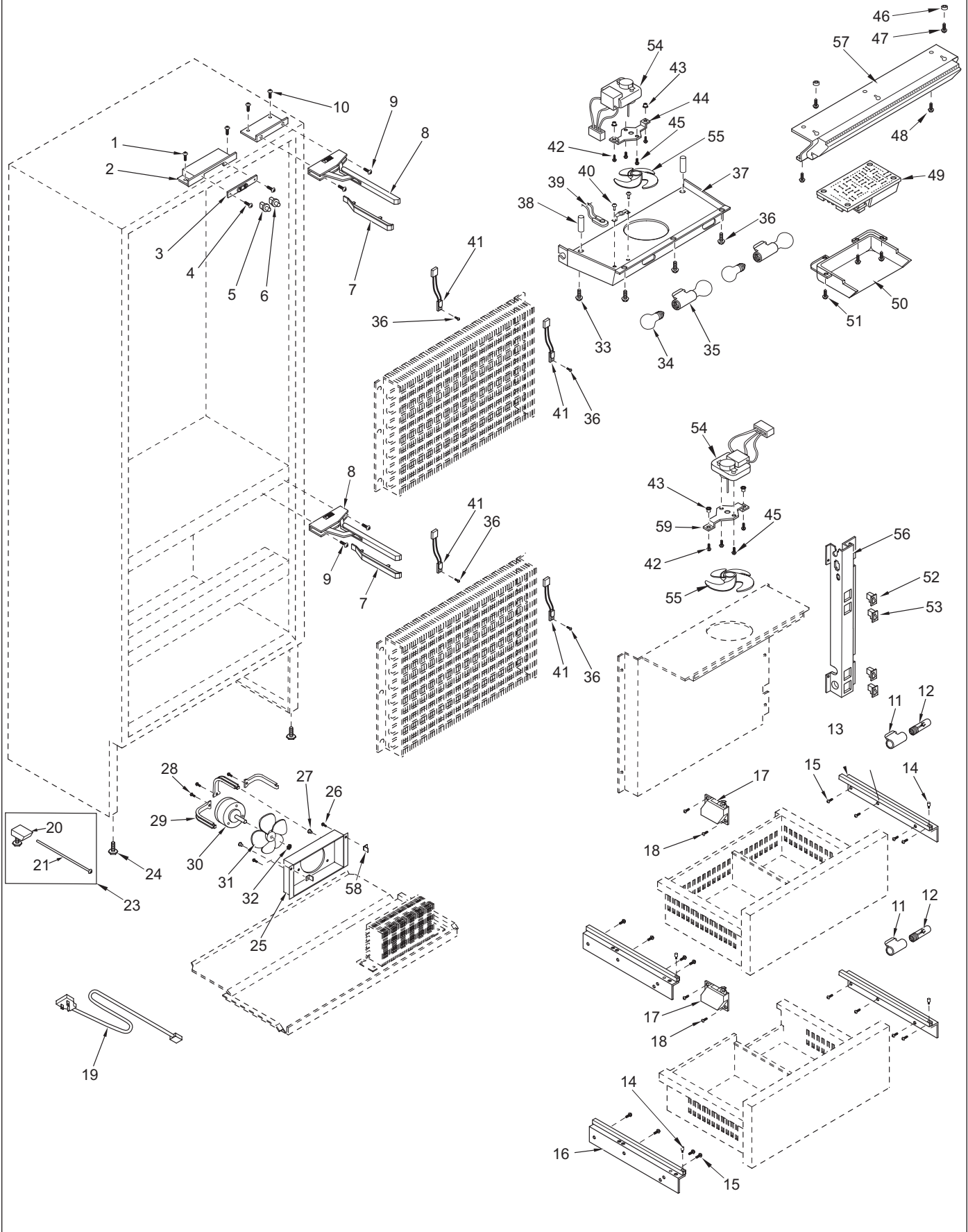
700TR-2 MECHANICAL VIEW PARTS LIST

Ref #	Part #	Description	Ref #	Part #	Description
1	6200010	Screw, #10-12 x 3/4" Pan HD	30	4200740	Motor Pkg, Cond Fan
2	0212470	Box, Ref Switch	31	3150320	Fan Blade, Cond -5 prop, 7"
3	3450920	Bracket, Switch Mounting	32	6150410	Nut, 1/4-20
4	6200210	Screw, #8-32 x 1/2" Flat Head	33	6201010	Screw, #8-15 x 2" Pan Head
5	3060030	Light Switch, N/C	34	3030030	Light Bulb, 40 Watt
6	3060020	Fan Switch, N/O	35	3050180	Light Socket, Dbl (See SN Breaks)
7	3541050	Hinge Cover		3050250	Skt, Light M Base Dbl (See SN Breaks)
8	3541031	Hinge Assy, TOP - RH	36	6201270	Screw, #8-18 x 5/8" PH PN SS-Gnd
	3541032	Hinge Assy, TOP - LH	37	4230540	Shroud Assy, Ref Fan
	3541041	Hinge Assy, MDL - RH	38	6220540	Screw Grommet/Stand-off, 1.375
	3541042	Hinge Assy, MDL - LH	39	3082140	Light Terminator
9	6201140	Screw, 1/4-20 x 1/2" Sems But HD	40	6180010	Pop Rivet, 1/8"
10	6200780	Screw, #10-24 x 1/2" PH Hex Wash	41	3014350	Thermistor
11	3050010	Light Sckt, 3/4 Sgl(See SN Breaks)	42	6201470	Screw, #8-32X3/4 SS
	3050220	Skt,Light Int Base Sngl(See SN Breaks)	43	6150850	Wellnut, #8-32
12	3030060	Light Bulb, 25 Watt	44	0260360	Bracket, Lower Compartment Fan
13	4134430	Drawer Assy, Slide-RH	45	6110270	Bolt, #10-32 x 1/4" RD HD
14	3550720	White Thread Pin	46	6160240	Nylon Spacer
15	6201140	Screw, 1/4-20 x 1/2" Sems But HD	47	6200720	Screw, Tap, #8 x 1/2" PH FL HD
16	4134440	Drawer Assy, Slide-LH	48	6201270	Screw, #8-18 x 5/8" PH PN SS-Gnd
17	3541020	Drawer Closer	49	4203320	Pckg, Cntrl Board (See SN Breaks)
18	6200110	Screw, #10-12 x 5/8" Truss SS		4203520	Pckg, Cntrl Board (See SN Breaks)
19	4324800	Retractor Assy, Power Cord		4324900	Wire Hrns,Ctrl Brd (See SN Breaks)
20	NA	See 4202000	50	4152050	Cover Assy, Control
21	3421500	Adjusting Rod	51	6201270	Screw, #8-18 x 5/8" PH PN SS-Gnd
22	NA	NA	52	3060140	SPST Light Switch
23	4202000	Rear Leveler Assembly	53	3060130	SPST Fan/Icemaker Switch
24	3570060	Bolt, Leveler 3/8-16	54	4203330	Fan Package, Service
25	4281310	Shroud Assy, Cond Fan	55	3150640	Fan blade, Evaporator
	3220370	Grommet, 1/4" X 3/16" (Not Shown)	56	0212480	Enclosure, Switch
26	6200010	Screw, #10-12 x 3/4" Pan HD		4161260	Switch Enclosure Assy, Lwr
27	3220360	Grommet, Mtg Brkt	57	4162600	Control Panel Assy
28	6201000	Screw #8-32X3/8 Thread Forming	58	3450290	Angle Bracket
29	0167430	Cond Fan Mtg Brkt (3 Required)	59	0260360	Bracket, Lower Compartment Fan

NOT PICTURED

0167550 Anti-Tip Bracket

700TR-2 MECHANICAL VIEW



700TR-2 SEALED SYSTEM VIEW PARTS LIST

<u>Ref #</u>	<u>Part #</u>	<u>Description</u>
1	4201880	Service Comp, Refrig. (EMI30HER)
	3111370	Relay (For EMI30HER Comp)
	3111410	Overload (For EMI30HER Comp)
	3111212	Relay (For EMT30HSC Comp)
	3111600	Overload (For EMT30HSC Comp)
	3111070	Capacitor (For EMT30HSC Comp)
	4323520	Wire Harness, Run Capacitor
	0167620	Capacitor Mount Bracket
2	4251520	Heat Exchanger, Ref
3	4201880	Service Comp, Refrig. (EMI30HER)
	3111370	Relay (For EMI30HER Comp)
	3111410	Overload (For EMI30HER Comp)
	3111212	Relay (For EMT30HSC Comp)
	3111600	Overload (For EMT30HSC Comp)
	3111070	Capacitor (For EMT30HSC Comp)
	4323520	Wire Harness, Run Capacitor
	0167620	Capacitor Mount Bracket
4	4251540	Heat Exchanger, Ref
5	6150220	Nut, 5/16-18 Hex Zinc
6	6240090	Lock Washer, 5/16"
7	6240050	Flat Washer, 5/16"
8	6160070	Sleeve, 5/16 x 7/16 x 7/8"
9	3150170	Rubber Grommet, Large, 15/16"
10	4311110	Unit Tray Assembly
11	3120340	Condenser
12	6150080	Nut-Flat, #10-24
13	6110020	Bolt, #10-24 x 3/8" Truss HD
14	3130550	Evaporator, Ref
15	6201270	Screw, #8-18 x 5/8" PH PN SS-Gnd
16	3130560	Evaporator, Ref
17	3014230	Filter-Drier, High Side
18	0260340	Bracket, Drier

700TR-2 SEALED SYSTEM VIEW

