

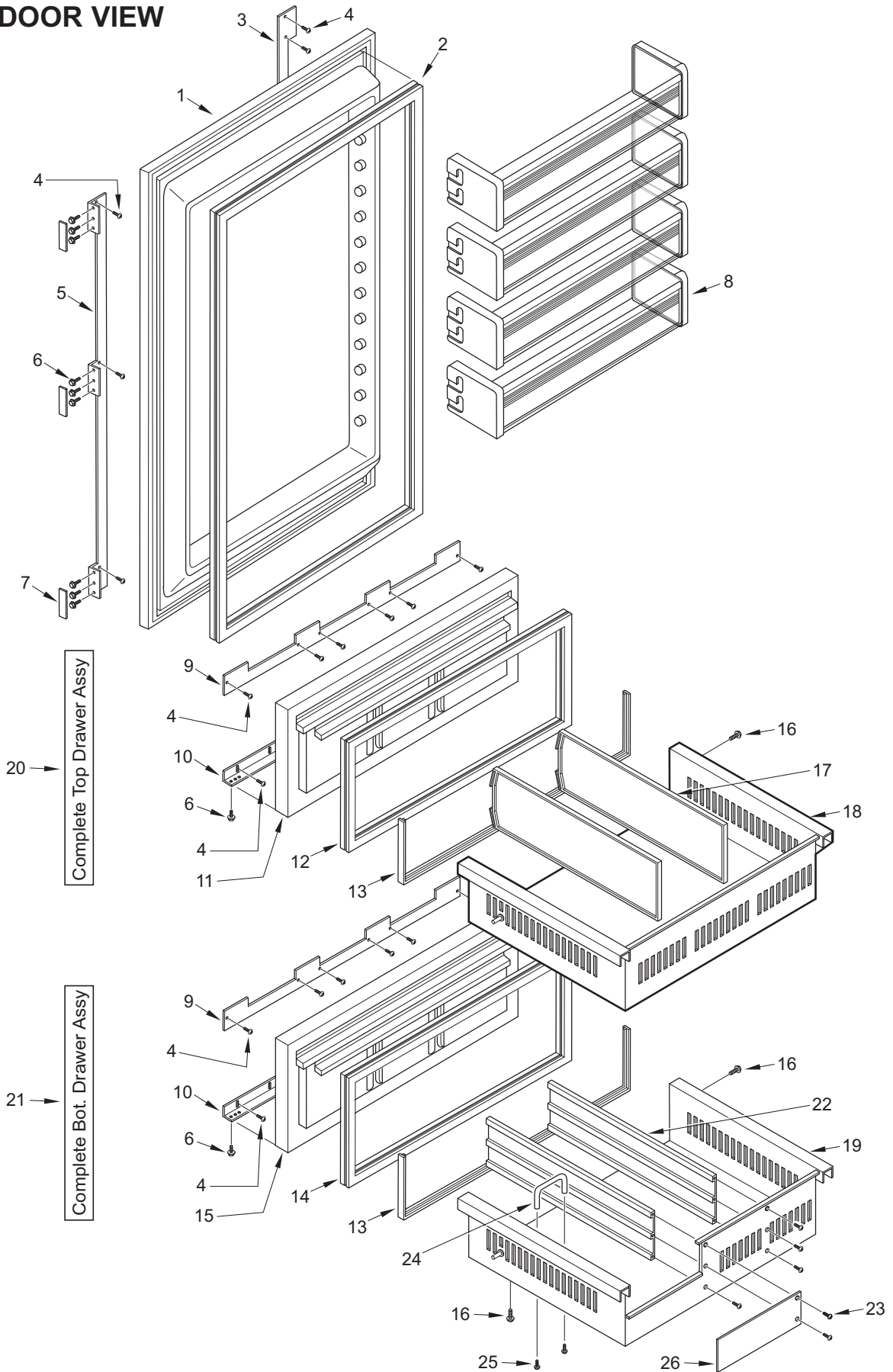


736TFI DOOR PARTS LIST

<u>Ref #</u>	<u>Part #</u>	<u>Description</u>	<u>Ref #</u>	<u>Part #</u>	<u>Description</u>
1	7012120	Door Assy, 736 RH Svce	14	7014004	Gasket, Drawer Lower Svce
	7012121	Door Assy, 736 LH Svce	15	7013986	Drawer Assy, Front Lower Svce
2	7012122	Gasket, Door Svce	16	6200110	Screw, #10-12 x 5/8" Truss SS
3	3421960	Brkt, Door Panel Mtg Handle Side	17	7006630	Divider, Drawer Svce
4	6200720	Screw, #8-18 x 1/2 PH Truss HD	18	7014005	Tub, Drawer Upper Svce
5	3421950	Brkt, Door Panel Mtg Hinge Side	19	7014006	Tub, Drawer Lower Svce
6	6201500	Screw, #10X3/4 Drill PH Hex Wash	20	7014007	Drawer Assy, Upper Svce
7	3421490	Panel Bracket Cover	21	7014008	Drawer Assy, Lower Svce
8	4182070	Shelf Assy, Door	22	3414030	Divider, Bottom Drawer
9	7013988	Bracket,Drawer Panel MTG Top Svce	23	6200710	Screw, #8-18 x 3/8" Fillister HD
10	7093989	Bracket, Dwr Panel Mtg Bot Svce	24	3511040	3" Wire Pull (w/IM only)
11	7013984	Drawer Assy, Front Upper Svce	25	6200080	Screw, #8-15 x 1/2" Truss HD (w/IM only)
12	7014003	Gasket, Drawer Upper Svce		3550400	Hole Plug (Part of SA Pkg)
13	3212470	Seal, Drawer Tub 736	26	3412420	Filler Plate, Drawer Tub (Part of SA Pkg)

NOTE: Door/Drawer panels on this model are sales accessories. For part numbers of complete door panel sets or components of the door panel sets, contact the factory.

736TFI DOOR VIEW

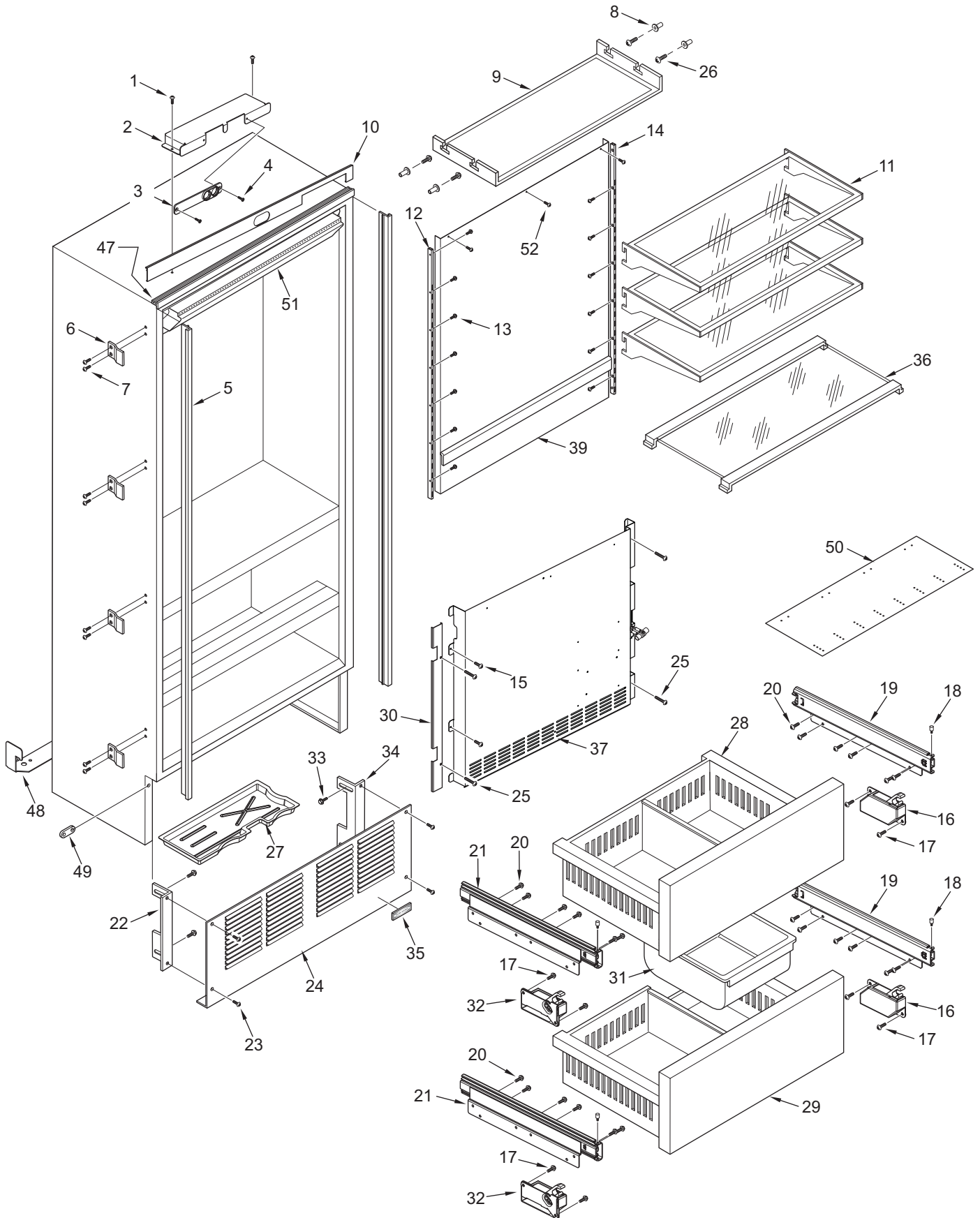




736TFI COSMETIC PARTS LIST

<u>Ref #</u>	<u>Part #</u>	<u>Description</u>	<u>Ref #</u>	<u>Part #</u>	<u>Description</u>
1	6200010	Screw, #10-12 x 3/4" Pan HD	26	6201330	Screw, #8 PH-Pan Head 1"
2	4161203	Switch Box Assy, Door (RH)	27	7014011	Drain Pan, Svce
	4161204	Switch Box Assy, Door (LH)	28	7014007	Drawer Assy, Upper Svce (See DOOR PARTS LIST for breakdown)
3	3450920	Bracket, Switch Mounting			
4	6200210	Screw, #8-32 x 1/2" Flat Head	29	7014008	Drawer Assy, Lower Svce (See DOOR PARTS LIST for breakdown)
5	3516010	Molding, Side			
6	3421510	Bracket, Ref to Cabinet	30	7014072	Cover,Heat Exchanger Svce
7	6200720	Screw, Tap, #8 x 1/2" PH FL HD	31	3412080	Bucket, Ice
8	3520420	Insert / Diffuser Stand-off	32	7009401	Drawer, Closer LH Svce
9	4162860	Diffuser Assy, Light	33	6200780	Screw, #10-24 x 1/2" PH Hex Wash
10	7015238	Molding,Top RH Svce	34	0167671	Kickplate Brkt, RH 700-3 Svce
	7015239	Molding,Top LH Svce	35	7014692	Nameplate, Svce
11	7005165	Shelf Assy, Glass Svce	36	7014073	Shelf Assy,Fre Fixed Svce
12	3602440	Ladder, Shelf Left	37	7014089	Cover Assy, Lower Svce
13	6200710	Screw, #8-18 x 3/8" Fillister HD	38	NA	
14	3602450	Ladder, Shelf Right	39	7014090	Duct, Air Upper Svce
15	6201270	Screw, #8-18 x 5/8" PH PN SS-Gnd	40	NA	
16	3541020	Closer, Drawer-RH	41	NA	
17	6200110	Screw, #10-12 x 5/8" Truss SS	42	NA	
18	3550720	Pin, White Thread	43	NA	
19	3414671	Slide, Full Extension Drawer RH	44	NA	
20	6202030	Screw, 1/4-20 x 1/2" But HD, Patchlk	45	NA	
21	3414672	Slide, Full Extension Drawer LH	46	NA	
22	0167672	Kickplate Brkt, LH 700-3 Svce	47	4152350	Trim Assy, Top 36
23	6200050	Screw, #10-12 x 1/2" Pan HD	48	0862460	Bracket, Anti-Tip
24	7014010	Kickplate,Grill Svce	49	3421460	Bracket, Unit to Unit
	0262700	Toe Plate,Stainless (Sales Accessory)	50	3758359	Template, Drilling Door Panel
25	7011167	Screw, #8-18 X 1.5 Truss Hd	51	7014092	Panel Assy, Control Svce
			52	6202050	Screw, #8-18X1/2 Ph Pn SS-Gnd

736TFI COSMETIC VIEW



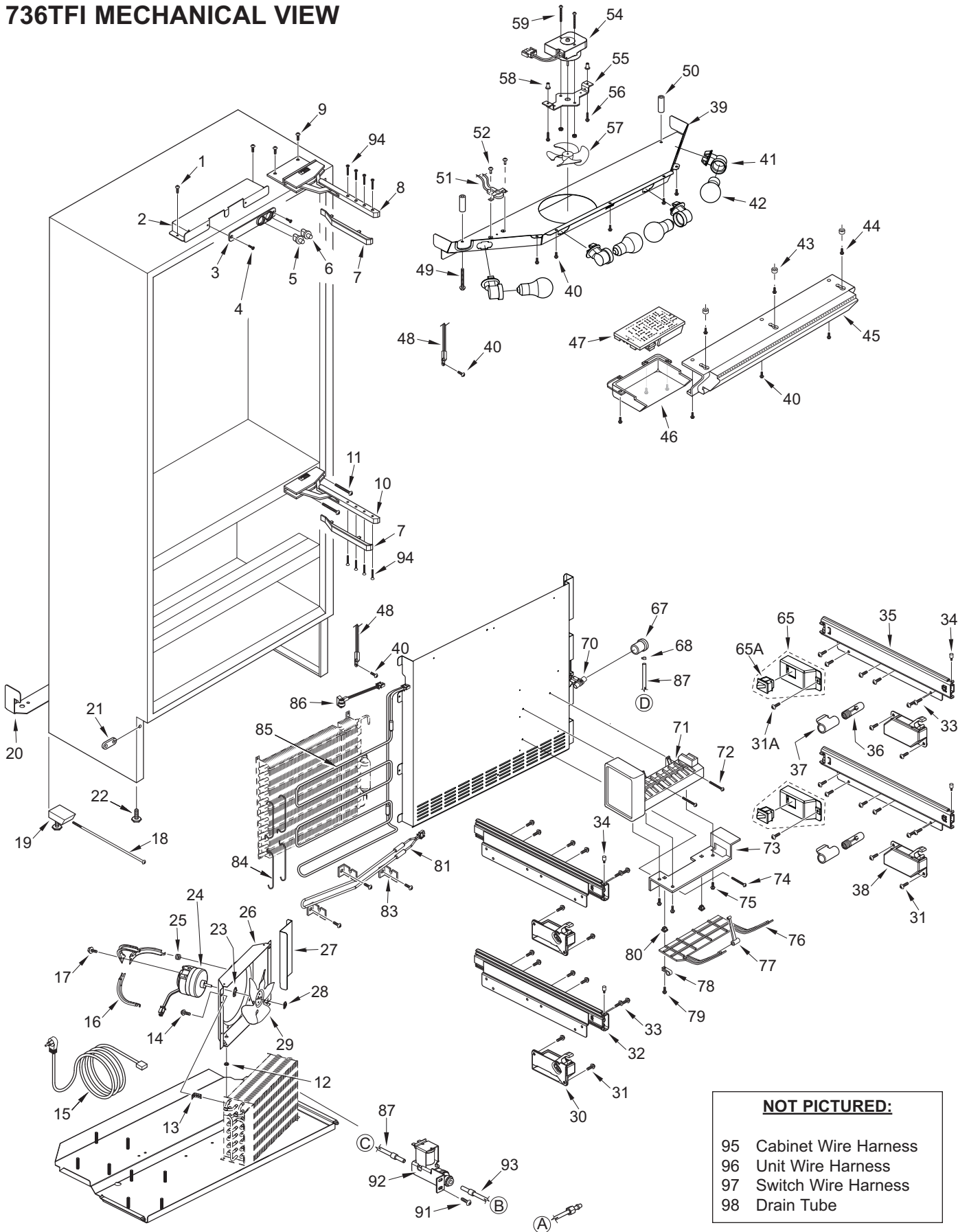


736TFI MECHANICAL PARTS LIST

<u>Ref #</u>	<u>Part #</u>	<u>Description</u>	<u>Ref #</u>	<u>Part #</u>	<u>Description</u>
1	6200010	Screw, #10-12 x 3/4" Pan HD	52	6180010	Pop Rivet, 1/8"
2	4161203	Switch Box Assy, Door (RH)	53	NA	
	4161204	Switch Box Assy, Door (LH)	54	4200160	Motor Assy, Freezer Fan, Svce
3	3450920	Bracket, Switch Mounting	55	0260370	Bracket, Fan (Production)
4	6200210	Screw, #8-32 x 1/2" Flat Head	56	6201470	Screw, #8-32X3/4 SS
5	7004257	Switch, Light White Svce (N.C.)	57	7014097	Fan Blade, Evap Svce
6	7004259	Switch, Fan White Svce (N. O.)	58	6150850	Wellnut, #8-32
7	3541300	Hinge Cover	59	6201820	Screw,#8-32X1 3/4 SS PNHD
8	3541220	Hinge Assy, Top RH	60	NA	
	3541230	Hinge Assy, Top LH	61	NA	
9	6200780	Screw, #10-24 x 1/2" PH Hex Washer	62	NA	
10	3541311	Hinge Assy, Lwr RH	63	NA	
	3541312	Hinge Assy, Lwr LH	64	6201120	Screw, #8-18 X 2 Truss Hd
11	6201600	Screw, 1/4-20X5/8 (See SN Breaks)	65	7014013	Switch Assy,Drawer Svce (Incl Switch & Bracket)
	6111070	Bolt, Tenslk1/4-20X1/2 (See SN Breaks)	65A	7015744	Switch, Light Svce
12	3220370	Grommet, 1/4" X 3/16"	66	NA	
13	3450290	Bracket, Angle #8a	67	1607600	Water Inlet Tube
14	6200010	Screw, #10-12 x 3/4" Pan HD	68	6220470	Fill Tube Clamp
15	7002603	Cord,Power SVCE	69	NA	
16	7011248	Bracket,Cond Fan Mtr Svce (3 Required)	70	2605405	Tube, Extension Fill
17	6201580	Screw,#8-36 X 1/2 Nylon Patch		3070210	Heater, Fill Tube
18	3421500	Adjusting Rod	71	7002742	Icemaker Assy, Svce
19	4202000	Rear Leveler Assembly	72	6200320	Screw, #8-32 x 1/2" Truss Head
20	0862460	Bracket, Anti-Tip	73	7002583	Bracket, Icemaker
21	3421460	Bracket, Unit to Unit	74	6200320	Screw, #8-32 x 1/2" Truss Head
22	3570060	Bolt, Leveler 3/8-16X2-1/8	75	6201000	Screw #8-32X3/8 Thread Forming
23	3210340	Neoprene Silencer, 7/8"	76	3140300	Arm, Icemaker Cntrl
24	7006413	Motor, Cond Fan Svce	77	3421070	Rod, Connecting
25	3220360	Grommet, Mtg Brkt	78	6120280	Clamp, Tube Nylon 3/16"
26	7014031	Shroud Assy, Cond Fan Svce	79	6200140	Screw, #8-15 x 3/8" Truss HD
27	7016059	Guide, Air Svce	80	6220220	Screw Grommet, 1/32 x 3/8" SQ
28	NA		81	7014099	Heater, Drain Trough
29	7011465	Fan Blade,Condenser Svce	82	NA	
30	7009401	Drawer, Closer LH Svce	83	0234620	Bracket, Heater
31	6200110	Screw, #10-12 x 5/8" Truss SS	84	1801100	Clip, SS Heater Blower
31A	6200060	Screw, #8-32 x 1/2" Pan HD	85	7014100	Heater, Defrost Svce
32	3414672	Slide, Full Extension Drawer LH	86	3081230	Terminator, Defrost
33	6202030	Screw, 1/4-20 x 1/2" But HD, Patchlk	87	3024920	Tube, Plastic Wtr Pex
34	3550720	White Thread Pin	88	NA	
35	3414671	Slide, Full Extension Drawer RH	89	NA	
36	3030060	Bulb, Light 25W 1X2-1/2	90	NA	
37	7003913	Socket, Light Int Base Sgl Svce	91	6200780	Screw, #10-24 x 1/2" PH Hex Washer
38	3541020	Closer, Drawer	92	7004267	Valve, Water QC Svce
39	7014055	Shroud Assy, Upper Svce (Incl W/H)	93	3024910	Tube, Plastic Wtr Pex
40	6201270	Screw, #8-18 x 5/8" PH PN SS-Gnd	94	6200780	Screw, #10-24X1/2" PH (See SN Breaks)
41	7012420	Lampholder SVCE Med Base Sngl		7111070	Bolt, Tens 1/4-20X1/2 (See SN Breaks)
42	3030030	Bulb, Light 40W			
43	6160240	Nylon Spacer			
44	6200720	Screw, #8-18 x 1/2 PH Truss HD			
45	7014092	Panel Assy, Control Svce			
46	4152050	Cover Assy, Control Service			
47	7014033	Pkg, Control Board Svce (736 E-Star)	95	7014002	W/H, Cabinet
48	4204740	Therm Asm, Svce	96	7010546	W/H, Unit
49	6201010	Screw, #8-15 x 2" Pan Head	97	7014098	WH Switch Box
50	6220540	Screw Grommet/Stand-off, 1.375	98	1601400	Drain Tube, Wire - 1/2" x 72"
51	7005840	Terminator, Light 3NT Svce			
	7014035	W/H, Ref Light Svce (Incl Terminator)			

NOT Pictures

736TFI MECHANICAL VIEW



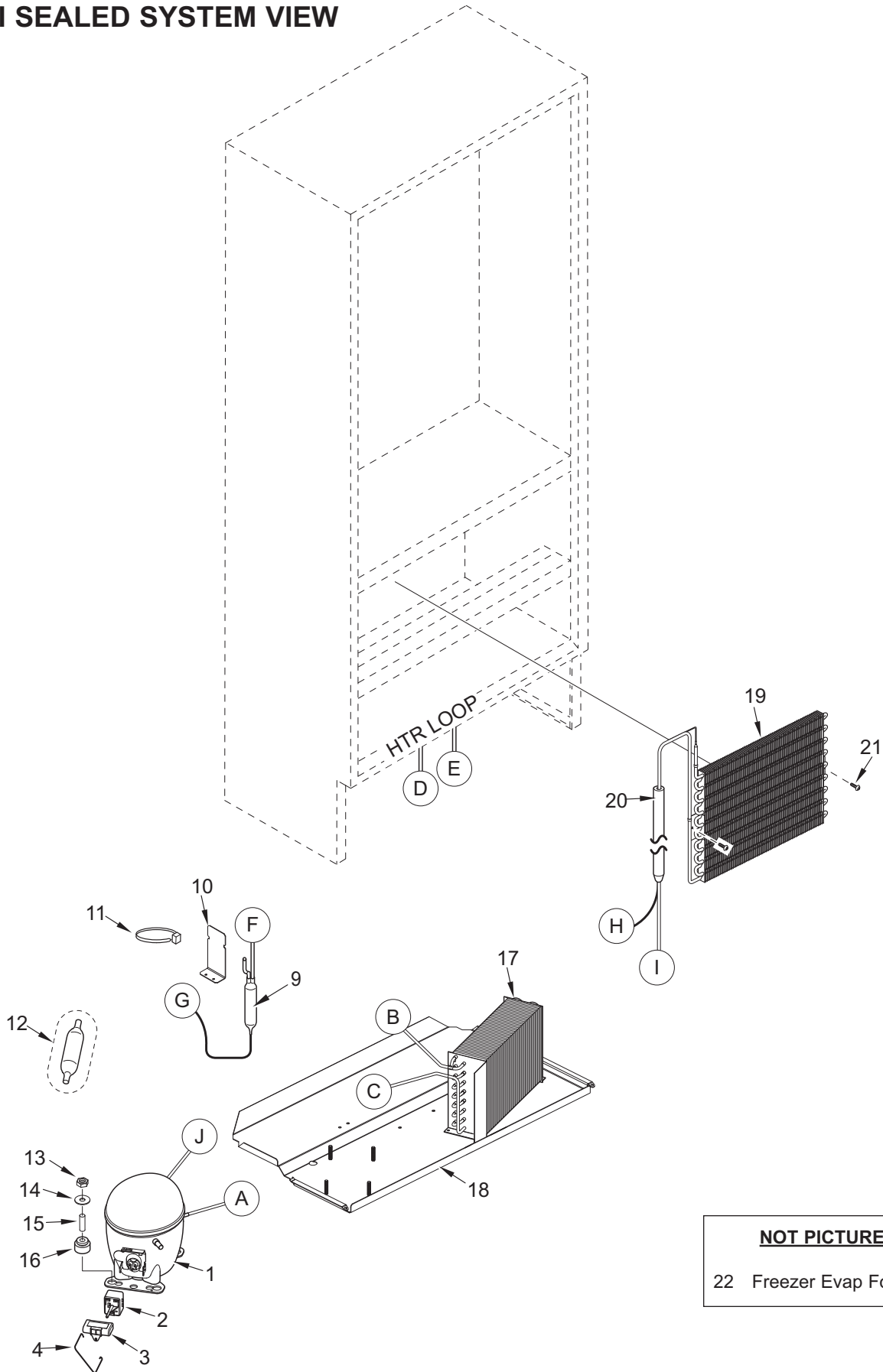
**736TFI SEALED SYSTEM PARTS LIST**

<u>Ref #</u>	<u>Part #</u>	<u>Description</u>
1	7007858	Compressor Assy,EGX90HLC Svce
2	7011854	Electricals, EGX90 TSD Svce
3	7005578	Capacitor, 12Mf Svce
4	7011277	Clip, TS Electricals Svce
9	3014230	Filter-Drier, High Side
10	7005783	Bracket, Drier Svce
11	6120170	Locking Cable Tie, Red, 11-1/2"
12	3014100	Drier, Suction Line (Service Only)
13	6150220	Nut, 5/16-18 Hex Zinc (4 each compressor)
14	6240050	Washer, Flat 5/16" (4 each compressor)
15	6160070	Sleeve, 5/16 x 7/16 x 7/8" (4 each compressor)
16	3150170	Rubber Grommet, Large, 15/16" (4 each compressor)
17	7014101	Condenser, Single Svce
18	NA	Tray Asy, Unit - Special Order, Contact Factory
19	7014102	Evap Assy, Fre (Does not include Heat Exchanger)
20	7014103	Evap Assy, Fre (Includes Evaporator and Heat Exchanger)
21	6201270	Screw, #8-18 x 5/8" PH PN SS-Gnd

NOT Pictures

22	7014096	Foam, Fre Evap Svce
----	---------	---------------------

736TFI SEALED SYSTEM VIEW



NOT PICTURED:
22 Freezer Evap Foam