

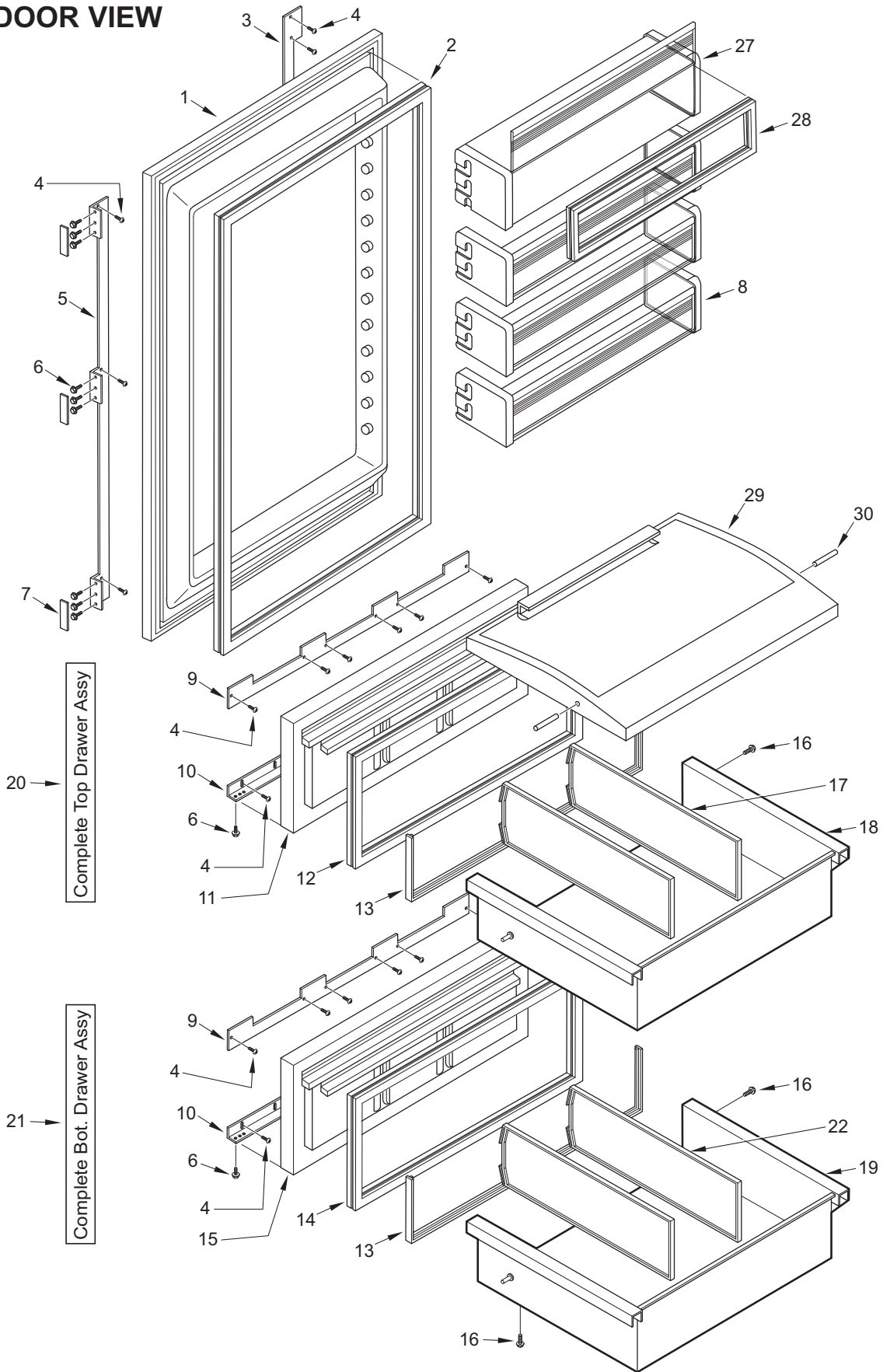


736TR DOOR PARTS LIST

<u>Ref #</u>	<u>Part #</u>	<u>Description</u>	<u>Ref #</u>	<u>Part #</u>	<u>Description</u>
1	7012120	Door Assy, 736 RH Svce	16	6200110	Screw, #10-12 x 5/8" Truss SS
	7012121	Door Assy, 736 LH Svce	17	7006630	Divider, Drawer Svce
2	7012122	Gasket, Door Svce	18	7014047	Tub, Drawer Upper Svce
3	3421960	Brkt, Door Panel Mtg Handle Side	19	7014048	Tub, Drawer Lower Svce
4	6200720	Screw, #8-18 x 1/2 PH Truss HD	20	7014049	Drawer Assy, Upper Svce
5	3421950	Brkt, Door Panel Mtg Hinge Side	21	7014050	Drawer Assy, Lower Svce
6	6201500	Screw, #10X3/4 Drill PH Hex Wash	22	7002713	Divider, Bottom Drawer Svce
7	3421490	Panel Bracket Cover	23	NA	
8	4182070	Shelf Assy, Door	24	NA	
9	7013988	Bracket,Drawer Panel MTG Top Svce	25	NA	
10	7093989	Bracket, Dwr Panel Mtg Bot Svce	26	NA	
11	7013981	Drawer Assy, Front Upper Svce	27	4182060	Compartment Assy, Dairy (Includes Seal)
12	7014003	Gasket, Drawer Upper Svce	28	3212340	Seal, Dairy Compartment
13	3212470	Seal, Drawer Tub 736	29	7002714	Crisper Assy, Svce
14	7014004	Gasket, Drawer Lower Svce	30	3412240	Pin, Crisper (2)
15	7014045	Drawer Assy, Front Lower Svce			

NOTE: Door/Drawer panels on this model are sales accessories. For part numbers of complete door panel sets or components of the door panel sets, contact the factory.

736TR DOOR VIEW

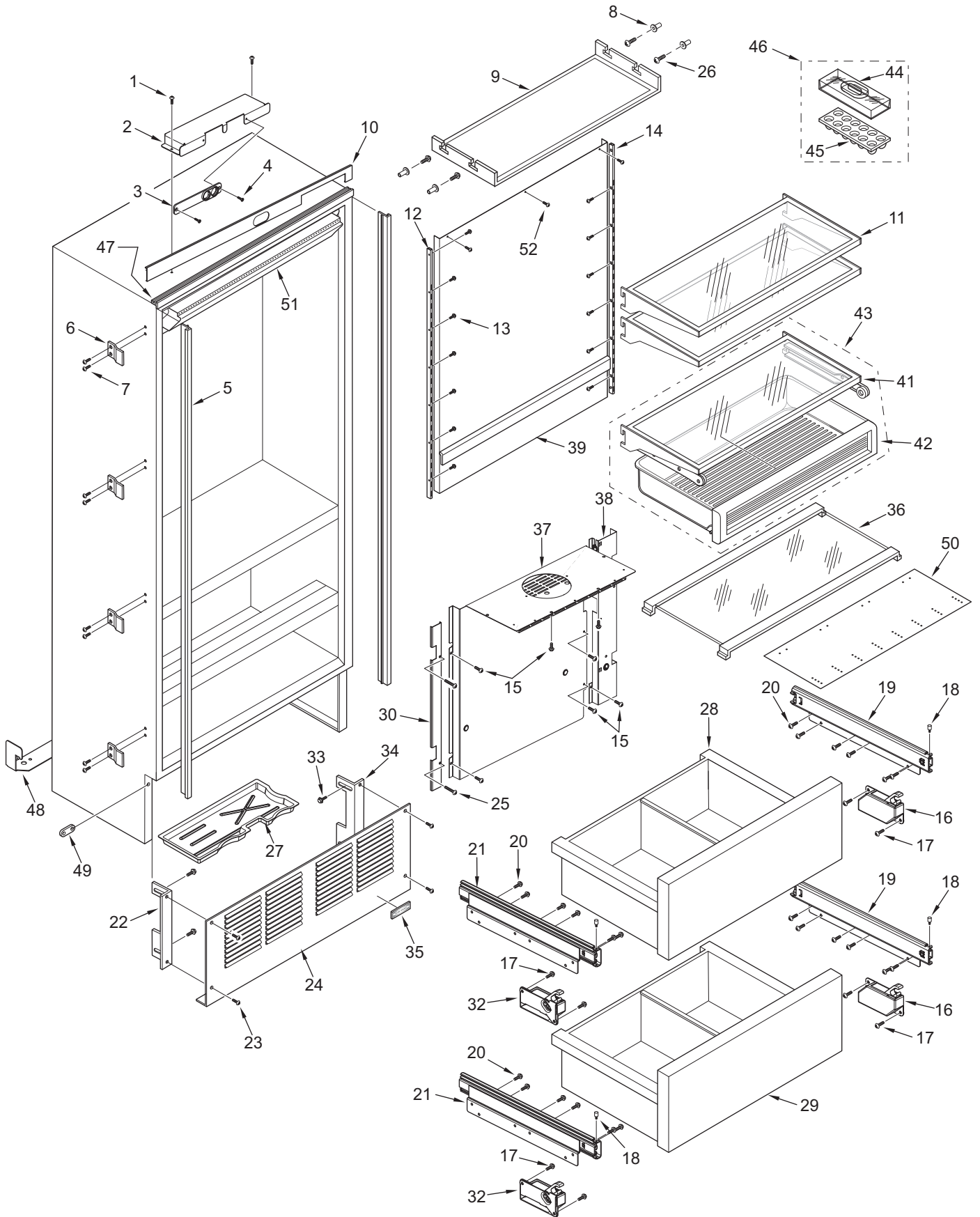




736TR COSMETIC PARTS LIST

<u>Ref #</u>	<u>Part #</u>	<u>Description</u>	<u>Ref #</u>	<u>Part #</u>	<u>Description</u>
1	6200010	Screw, #10-12 x 3/4" Pan HD	28	7014049	Drawer Assy, Upper Svce (See DOOR PARTS LIST for breakdown)
2	4161203	Switch Box Assy, Door (RH)	29	7014050	Drawer Assy, Lower Svce (See DOOR PARTS LIST for breakdown)
	4161204	Switch Box Assy, Door (LH)	30	7002715	Cover, Heat Exchanger Svce
3	3450920	Bracket, Switch Mounting	31	NA	
4	6200210	Screw, #8-32 x 1/2" Flat Head	32	7009401	Drawer, Closer LH Svce
5	3516010	Molding, Side	33	6200780	Screw, #10-24 x 1/2" PH Hex Wash
6	3421510	Bracket, Ref to Cabinet	34	0167671	Kickplate Brkt, RH 700-3 Svce
7	6200720	Screw, Tap, #8 x 1/2" PH FL HD	35	7014692	Nameplate, Svce
8	3520420	Insert / Diffuser Stand-off	36	7014051	Shelf Assy, Ref Floor Svce
9	4162860	Diffuser Assy, Light	37	7002723	Cover Assy, Evap Svce (Incl Fan Motor)
10	7015238	Molding, Top RH Svce	38	7014052	Duct Assy, Right Side Svce
	7015239	Molding, Top LH Svce	39	7014014	Cover Assy, Evap Svce
11	7005165	Shelf Assy, Glass Svce	40	NA	
12	3602440	Ladder, Shelf Left	41	4182191	Shelf Assy, Deli-RH (Part of SA 0000047)
13	6200710	Screw, #8-18 x 3/8" Fillister HD		4182192	Shelf Assy, Deli-LH (Part of SA 0000048)
14	3602450	Ladder, Shelf Right	42	4182080	Tray Assy, Deli (Part of SA 0000047& 48)
15	6201270	Screw, #8-18 x 5/8" PH PN SS-Gnd	43	0000047	Shelf Assy, Deli RH
16	3541020	Closer, Drawer-RH		0000048	Shelf Assy, Deli LH
17	6200110	Screw, #10-12 x 5/8" Truss SS	44	3412280	Cover, Egg Tray
18	3550720	Pin, White Thread	45	3412270	Container, Egg Tray
19	3414671	Slide, Full Extension Drawer RH	46	7007506	Egg Tray (with Cover)
20	6202030	Screw, 1/4-20 x 1/2" But HD, Patchlk	47	4152350	Trim Assy, Top 36
21	3414672	Slide, Full Extension Drawer LH	48	0862460	Bracket, Anti-Tip
22	0167672	Kickplate Brkt, LH 700-3 Svce	49	3421460	Bracket, Unit to Unit
23	6200050	Screw, #10-12 x 1/2" Pan HD	50	3758359	Template, Drilling Door Panel
24	7014010	Kickplate, Grill Svce	51	7014053	Control Panel Assy, 736TR Svce
	0262700	Toe Plate, Stainless (Sales Accessory)	52	6202050	Screw, #8-18X1/2 Ph Pn SS-Gnd
25	7011167	Screw, #8-18 X 1.5 Truss Hd			
26	6201330	Screw, #8 PH-Pan Head 1"			
27	7014011	Drain Pan, Svce			

736TR COSMETIC VIEW





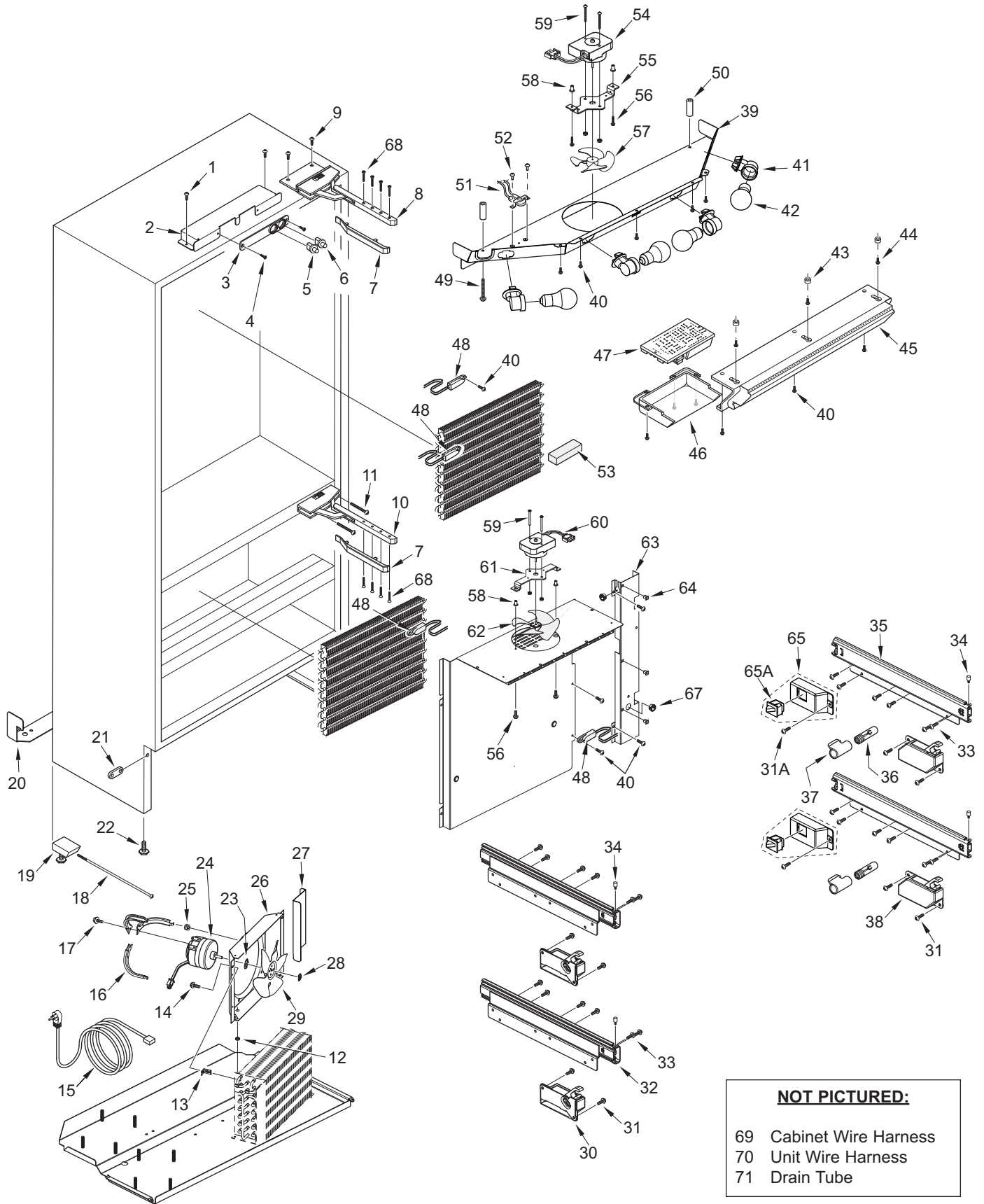
736TR MECHANICAL PARTS LIST

Ref #	Part #	Description	Ref #	Part #	Description
1	6200010	Screw, #10-12 x 3/4" Pan HD	34	3550720	White Thread Pin
2	4161203	Switch Box Assy, Door (RH)	35	3414671	Slide, Full Extension Drawer RH
	4161204	Switch Box Assy, Door (LH)	36	3030060	Bulb, Light 25W 1X2-1/2
3	3450920	Bracket, Switch Mounting	37	7003913	Socket, Light Int Base Sgl Svce
4	6200210	Screw, #8-32 x 1/2" Flat Head	38	3541020	Closer, Drawer
5	7004257	Switch, Light White Svce (N.C.)	39	7014055	Shroud Assy, Upper Svce (Incl W/H)
6	7004259	Switch, Fan White Svce (N. O.)	40	6201270	Screw, #8-18 x 5/8" PH PN SS-Gnd
7	3541300	Hinge Cover	41	7012420	Lampholder SVCE Med Base Sngl
8	3541220	Hinge Assy, Top RH	42	3030030	Bulb, Light 40W
	3541230	Hinge Assy, Top LH	43	6160240	Nylon Spacer
9	6200780	Screw, #10-24 x 1/2" PH Hex Washer	44	6200720	Screw, #8-18 x 1/2 PH Truss HD
10	3541311	Hinge Assy, Lwr RH	45	7014053	Control Assy, 736TR, Svce
	3541312	Hinge Assy, Lwr LH	46	4152050	Cover Assy, Control Service
11	6201600	Screw, 1/4-20X5/8 (See SN Breaks)	47	7014033	Pkg, Control Board Svce (736 E-Star)
	6111070	Bolt, Tenslk1/4-20X1/2 (See SN Breaks)	48	4204740	Therm Asm, Svce
12	3220370	Grommet, 1/4" X 3/16"	49	6201010	Screw, #8-15 x 2" Pan Head
13	3450290	Bracket, Angle #8a	50	6220540	Screw Grommet/Stand-off, 1.375
14	6200010	Screw, #10-12 x 3/4" Pan HD	51	7005840	Terminator, Light 3NT Svce
15	7002603	Cord, Power SVCE		7014035	W/H, Ref Light Svce (Incl Terminator)
16	7011248	Bracket, Cond Fan Mtr Svce (3 Required)	52	6180010	Pop Rivet, 1/8"
17	6201580	Screw, #8-36 X 1/2 Nylon Patch	53	7014029	Foam, Evap Upper Svce
18	3421500	Adjusting Rod	54	4200170	Motor Assy, Repl. Ref Fan, Svce
19	4202000	Rear Leveler Assembly	55	7003914	Bracket, Fan Svce
20	0862460	Bracket, Anti-Tip	56	6201470	Screw, #8-32X3/4 SS
21	3421460	Bracket, Unit to Unit	57	7011058	Fan blade, White Svce
22	3570060	Bolt, Leveler 3/8-16X2-1/8	58	6150850	Wellnut, #8-32
23	3210340	Neoprene Silencer, 7/8"	59	6201820	Screw, #8-32X1-3/4 SS PNHD
24	7006413	Motor, Cond Fan Svce	60	4200170	Motor Assy, Repl. Ref Fan, Svce
25	3220360	Grommet, Mtg Brkt	61	7003915	Bracket, Evap Fan Svce
26	7014031	Shroud Assy, Cond Fan Svce	62	3151000	Blade, Fre 130MM 4 Pedal Black
27	7014032	Guide, Air Svce	63	7014052	Duct Assy, Right Side Svce
28	NA		64	6220050	Screw Grommet, 1/2" x 5/8"
29	7011465	Fan Blade, Condenser Svce	65	7014013	Switch Assy, Drawer Svce
30	7009401	Drawer, Closer LH Svce			(Incl Switch & Bracket)
31	6200110	Screw, #10-12 x 5/8" Truss SS	65A	7015744	Switch, Light Svce
31A	6200060	Screw, #8-32 x 1/2" Pan HD	66	NA	
32	3414672	Slide, Full Extension Drawer LH	67	3220510	Heyco, 3/4 #2873 (2)
33	6202030	Screw, 1/4-20 x 1/2" But HD, Patchlk	68	6110610	Screw, #10-24 x 3/4 FL Socket HD

NOT PICTURED

69	7010297	W/H, Cabinet
70	7013244	W/H, Unit Svce
71	1601400	Drain Tube, Wire - 1/2" x 72"

736TR MECHANICAL VIEW



NOT PICTURED:
 69 Cabinet Wire Harness
 70 Unit Wire Harness
 71 Drain Tube

**736TR SEALED SYSTEM PARTS LIST**

<u>Ref #</u>	<u>Part #</u>	<u>Description</u>
1	7009447	Compressor Assy, EM20HSC Svce (Includes High-side Filter-drier)
2	7010827	Electricals, EM20HSC TSD Svce (Used with EM20HSC Comp.)
3	7009448	Capacitor, 5 Mf Svce (Used with EM20HSC Comp.)
4	7011276	Clip, Ref Electricals Svce EM20HSC
5	7009447	Compressor Assy, EM20HSC Svce (Includes High-side Filter-drier)
6	7010827	Electricals, EM20HSC TSD Svce (Used with EM20HSC Comp.)
7	7009448	Capacitor, 5 Mf Svce (Used with EM20HSC Comp.)
8	7011276	Clip, Ref Electricals Svce EM20HSC
9	3014230	Filter-Drier, High Side
10	7005783	Bracket, Drier Svce
11	6120170	Locking Cable Tie, Red, 11-1/2"
12	3014100	Drier, Suction Line (Service Only)
13	6150220	Nut, 5/16-18 Hex Zinc (4 each compressor)
14	6240050	Washer, Flat 5/16" (4 each compressor)
15	6160070	Sleeve, 5/16 x 7/16 x 7/8" (4 each compressor)
16	3150170	Rubber Grommet, Large, 15/16" (4 each compressor)
17	7003820	Condenser, Svce
18	NA	Tray, Unit - Special Order, Contact Factory
19	7009366	Evaporator, Ref Svce (Does not include Heat Exchanger)
20	7014026	Evap Assy, Ref Svce (Includes Evaporator and Heat Exchanger)
21	6201270	Screw, #8-18 x 5/8" PH PN SS-Gnd
22	7009366	Evaporator, Ref Svce (Does not include Heat Exchanger)
23	NA	
24	7014203	Heat Exch Evap Assy, Ref Lwr (Includes Evaporator and Heat Exchanger)
25	6201330	Screw, #8 PH-Pan Head 1"
26	7014029	Foam, Evap Upper SVCE

736TR SEALED SYSTEM VIEW

