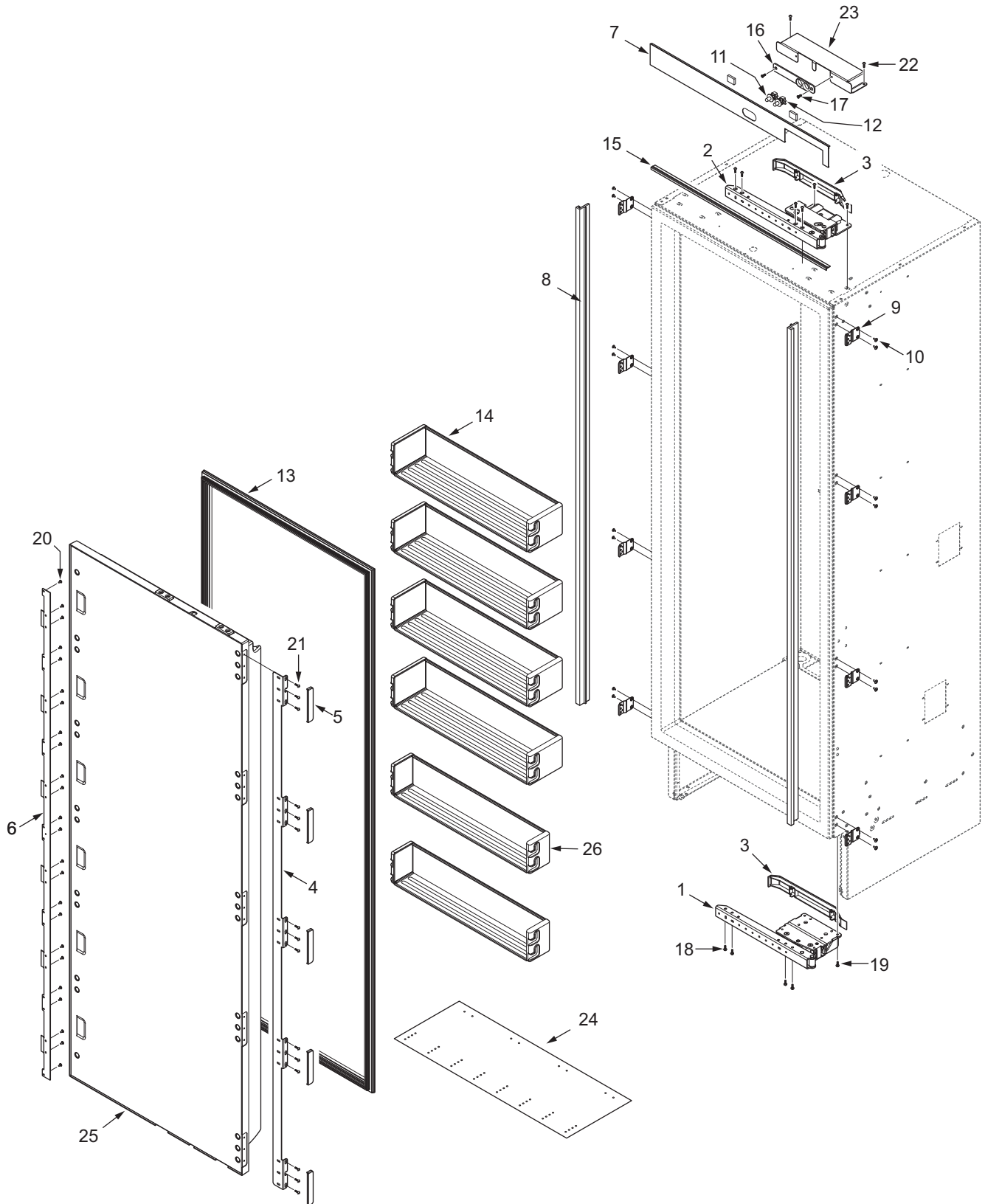




## IC-27F DOOR & EXTERIOR PARTS LIST

<u>Ref #</u>	<u>Part #</u>	<u>Description</u>	<u>Ref #</u>	<u>Part #</u>	<u>Description</u>
1	7015120	Hinge Assy., Bottom LH Svce	13	7015147	Gasket, Door Svce
	7015121	Hinge Assy., Bottom RH Svce	14	7016218	Shelf Assy., Door Svce
2	7015126	Hinge Assy., Adjust Top RH Svce	15	4152070	Trim Assy, Top
	7015127	Hinge Assy., Adjust Top LH Svce	16	3450920	Bracket, Switch Mtg
3	3541300	Cover, Hinge	17	6200210	Screw, #8-32 x 1/2" Flat Head
4	7015129	Bracket, Panel Hinge Side Svce	18	7011247	Screw,#10-24 X 3/4 FL SKT HD,LOK
5	7015944	Cover, Panel Bracket Svce	19	6200780	Screw, #10-24 x 1/2" PH Hex Washer
6	7015134	Bracket, Panel Handle Side SV	20	6200720	Screw, #8-18 x 1/2 PH Truss HD
7	7015138	Molding, Top RH Svce	21	6201500	Screw, #10X3/4 Drill PH Hex Wash
	7015139	Molding, Top LH Svce	22	6200010	Screw, #10-12 x 3/4" Pan HD
8	7015146	Molding, Side Svce	23	7016433	Enclosure, Switch Svce
9	7014676	Brackets & Screws Ref to Cab Svce	24	7015148	Template, Panel Drill Svce
10	6201180	Screw, Tapping, #8 x 1/2" PH FL HD	25	7015142	Door Assy, FRE RH Svce (Incl Gasket)
11	7004259	Switch, Fan Svce		7015114	Door Assy, FRE LH Svce (Incl Gasket)
12	7004257	Switch, Light Svce	26	7015133	Shelf Assy, Fre Lower Svce

**IC-27F DOOR & EXTERIOR VIEW**



### IC-27F INTERIOR PARTS LIST

Ref #	Part #	Description	Ref #	Part #	Description
1	6220220	Screw Grommet, 1/32 x 3/8" SQ	26	7015115	Bin, Ice Svce
2	7009935	Lamp,Blue Glass 230V Svce	27	7005852	Slide, Basket RH Svce
3	7009429	Bracket Assy,1 LT(T)Dom Svce	28	7012852	Bracket, Icemaker Svce
	7011197	Brkt Assy,1 LT (W/O T)Domestic Svce	29	7011189	Arm, Icemaker Svce
4	3520420	Insert / Diffuser Stand-off		7015920	Rod,Connecting Scve
	6201330	Screw, #8 PH-PAN HEAD 1"	30	7005851	Slide, Basket LH Svce
5	4161140	Light Diffuser Assy	31	7015880	Block, Light Svce
6	4152050	Cover Assy, Control	32	7007853	Slide,Basket LH Svce
7	7005046	Grommet, Motor Fan	33	7015131	Basket Assy, FRE Svce
8	NA		34	7005981	Screw,#8-32X1/2 6 LOBE T/C
9	6201270	Screw, #8-18 x 5/8" PH PN SS-Gnd	35	7007854	Slide,Basket RH Svce
10	4204740	Therm Asm, Svc	36	7005981	Screw,#8-32X1/2 6 LOBE T/C
11	7007030	Bracket,Thermistor Svce	37	7012418	Icemaker Assy, Svce
12	6200710	Screw, #8-18X1/2 PH SS Type AB	38	7015883	Tube, Inlet Svce
13	7011094	Handle Assy, Drawer Svce	39	7015977	Duct, Middle RH Svce
14	7015124	Shelf Ladder, RH Svce		7015979	Duct, Middle LH Svce
15	7015125	Shelf Ladder, LH Svce	40	7003167	Standoff,Fixed Shelf Ref
16	7015137	Control Assy., Panel Front Svce	41	7009435	Heater,Fill Tube Svce
17	7015878	Board, Control Svce	42	7015886	Heater, Defrost Svce
18	7015116	Spacer, Basket LH Svce	43	7015981	Cover, Left Side RH Svce
	7015117	Spacer, Basket RH Svce		7015987	Cover, Right Side LH Svce
19	7015988	Duct, Air FRE Upper Svce	44	7015983	Cover, Left Side LH Svce
20	7015975	Duct, Air FRE Lower Svce		7015985	Cover, Right Side RH Svce
21	7015882	Fan Blade, FRE Svce	45	7015935	Sensor, Defrost Terminator
22	7015881	Shroud, FRE Fan, Svce	46	1801100	Clip, SS Heater Blower
23	7015128	Shelf, Wire Svce	47	7016019	Heater,Drain Trough Svce
24	7015144	Shelf, FRE Fixed Svce	48	0234620	Bracket, Heater
25	7015132	Basket Assy, FRE Svce	49	7003817	Motor, Fre Fan, Svce

#### NOT PICTURED

50	7010812	W/H Thermistor
51	7010814	W/H, Unit
52	7010925	W/H Icemaker
53	7015686	W/H, Cab





## IC-27F TRAY AND SEALED SYSTEM PARTS LIST

<u>Ref #</u>	<u>Part #</u>	<u>Description</u>	<u>Ref #</u>	<u>Part #</u>	<u>Description</u>
1	7015140	Kickplate Assy., RH Svce	19	3570060	Bolt, Leveler 3/8-16X2-1/8
	7015141	Kickplate Assy., LH Svce	20	7016437	Cover , Power Inlet Svce
2	7014692	Nameplate Svce	21	7002603	Cord,Power Svce
3	6200050	Screw, #10-12 x 1/2" Pan HD (Black)	22	7006964	Drier, High Side Svce
4	7016435	Kickplate, Bracket	23	7005783	Bracket,Drier Svce
5	7015870	Condenser, Svce	24	6120170	Locking Cable Tie, Red, 11-1/2"
6	7015867	Shroud, Condenser Svce	25	6160070	Sleeve, 5/16 x 7/16 x 7/8"
7	7015865	Condenser, Air Guide Svce	26	3150170	Rubber Grommet, Large, 15/16"
8	7006413	Motor,Cond Fan Svce	27	6240050	Washer, Flat 5/16"
9	7011248	Bracket,Cond Fan Motor Svce	28	6150220	Nut, 5/16-18 Hex Zinc
10	3220360	Grommet, Mtg Brkt	29	NA	Unit Tray (Contact Factory)
11	6201580	Screw,#8-36 X 1/2 Nylon Patch	30	7007858	Compressor Assy, EGX90HLC Svce
12	7015872	Bumper, Shroud Svce	31	7011278	Electricals,EGX90TSD Svce
13	7011465	Fan Blade,Condenser Svce	32	7005578	Capacitor, 12Mf SVCE
14	7015869	Heater, Drain Pan Svce	33	7005579	Term Cvr Spring,EGZ80 Svce
15	7014011	Drain Pan,Svce	34	7015888	Evap, FRE Svce
16	7010033	Bracket,Anti-Tip Svce	35	7015887	Heat Exchanger, Fre Svce
17	7016436	Rod, Adjusting, Svce	36	7004267	Valve, Water Quick Connect SVCE
18	4202000	Rear Leveler Assembly	37	3024910	Tube, Plastic Water Pex

**IC-27F TRAY AND SEALED SYSTEM VIEW**

