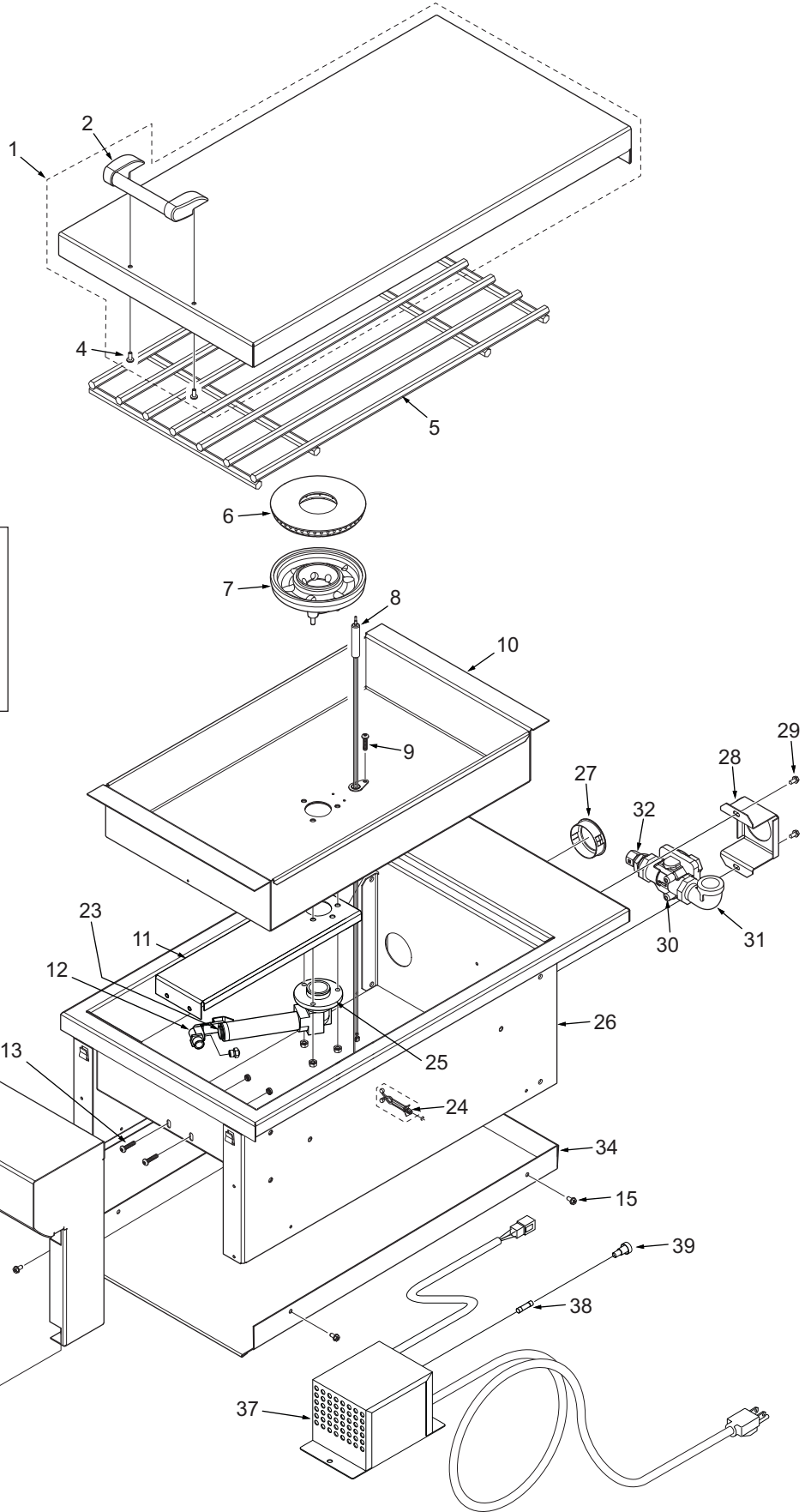




**BM13 PARTS LIST**

| <u>Ref #</u> | <u>Part #</u> | <u>Description</u>  | <u>Ref #</u> | <u>Part #</u> | <u>Description</u>                  |
|--------------|---------------|---|--------------|---------------|-------------------------------------|
| 1            | 816959        | Cover Assembly - Svce   | 23           | 813403        | Venturi, Wok - Svce                 |
| 2            | 816960        | Hndl, Cvr-Side Bnr, Svce (w/Screws)                             | 24           | 816948        | Stdf, Twist Lock - 1.0, Svce        |
| 3            | 815573        | Knob Insert, Nyliner - Svce                                     | 25           | 813346        | Elbow Assembly, Wok - Svce          |
| 4            | 816848        | Fasteners - Svce (2 ea fastener)                                | 26           | 816934        | Firebox Weld Assembly - Svce        |
| 5            | 816938        | Grate - Hexigonal Burner, Svce                                  | 27           | 813346        | Bushing, 1.75 Snap - Svce           |
| 6            | 813345        | Burner Head, Wok - Svce   | 28           | 816943        | Regulator Brkt, Small - Svce        |
| 7            | 813344        | Burner Base, Wok - Svce   | 29           | 816973        | 8-18X.375,Tpg Scr,Type AB-Svce      |
| 8            | 816950        | Igniter, Hot Surface - Svce (w/Screw)                           | 30           | 816942        | Regulator - Svce (Nat GasOnly)      |
| 9            | 816848        | Fasteners - Svce (2 ea fastener)                                | 31           | 816944        | ST Elb, .50 Pipe -Black - Svce      |
| 10           | 816949        | Burner Box - Svce   | 32           | 816945        | Ftg, Npt - Compression, Svce        |
| 11           | 816951        | Brkt, Burner Pan - Svce   | 33           | 816956        | Pnl, BN - Front, Switch, Svce       |
| 12           | 816952        | Jet Holder, Spud Assy,NAT -Svce<br>(w/Orifice, Claw and Screw)  | 34           | 816937        | Firebox Bottom - Svce               |
|              | 813348        | Jet Holder,Spud Assy-LP,Wok-Svce<br>(w/Orifice, Claw and Screw) | 35           | 816958        | Harness, Burner - Sear Module, Svce |
| 13           | 816972        | SCR,8-32X3/4 SS 6 Lobe PH-Svce                                  | 36           | 817059        | Switch, Power with LED - Svce       |
| 14           | 816935        | Bullnots Weld Assembly - Svce                                   | 37           | 816961        | Transformer Assembly - Svce         |
| 15           | 816973        | 8-18X.375,Tpg Scr,Type AB-Svce                                  | 38           | 816962        | Fuse, 4A 250V - Svce                |
| 16           | 816947        | Bushing, .875 Snap - Svce                                       | 39           | 817060        | Fuse Holder - Svce                  |
| 17           | 817058        | Bezel, Platinum, Coated - Svce                                  |              |               | <b><u>NOT PICTURED</u></b>          |
| 18           | 816972        | SCR,8-32X3/4 SS 6 Lobe PH-Svce                                  | 40           | 816255        | Knob, Black, Side Bnr, Bnr Mdl (1)  |
| 19           | 817057        | Knob, Red - Burner, Svce  | 41           | 816848        | Fasteners - Svce (2 ea fastener)    |
| 20           | 814664        | Microswitch, Valve - Svce                                       | 42           | 816976        | Flex Tube, .375 X 12 - Svce         |
| 21           | 816972        | SCR,8-32X3/4 SS 6 Lobe PH-Svce                                  | 43           | 816958        | Harness, Burner - Sear Module, Svce |
| 22           | 816953        | Valve Assembly - Svce (Nat Gas)                                 | 44           | 811172        | Wolf Logo, Ventilation - Svce       |
|              | 816954        | Valve Assembly - LP Svce  |              |               |                                     |

**BM13 VIEW**



**NOT PICTURED**

- 40 Black Knob (Sales Accessory)
- 41 Any Fastener not Shown
- 42 Flex Tube (12")
- 43 Burner Wire Harness
- 44 Wolf Logo