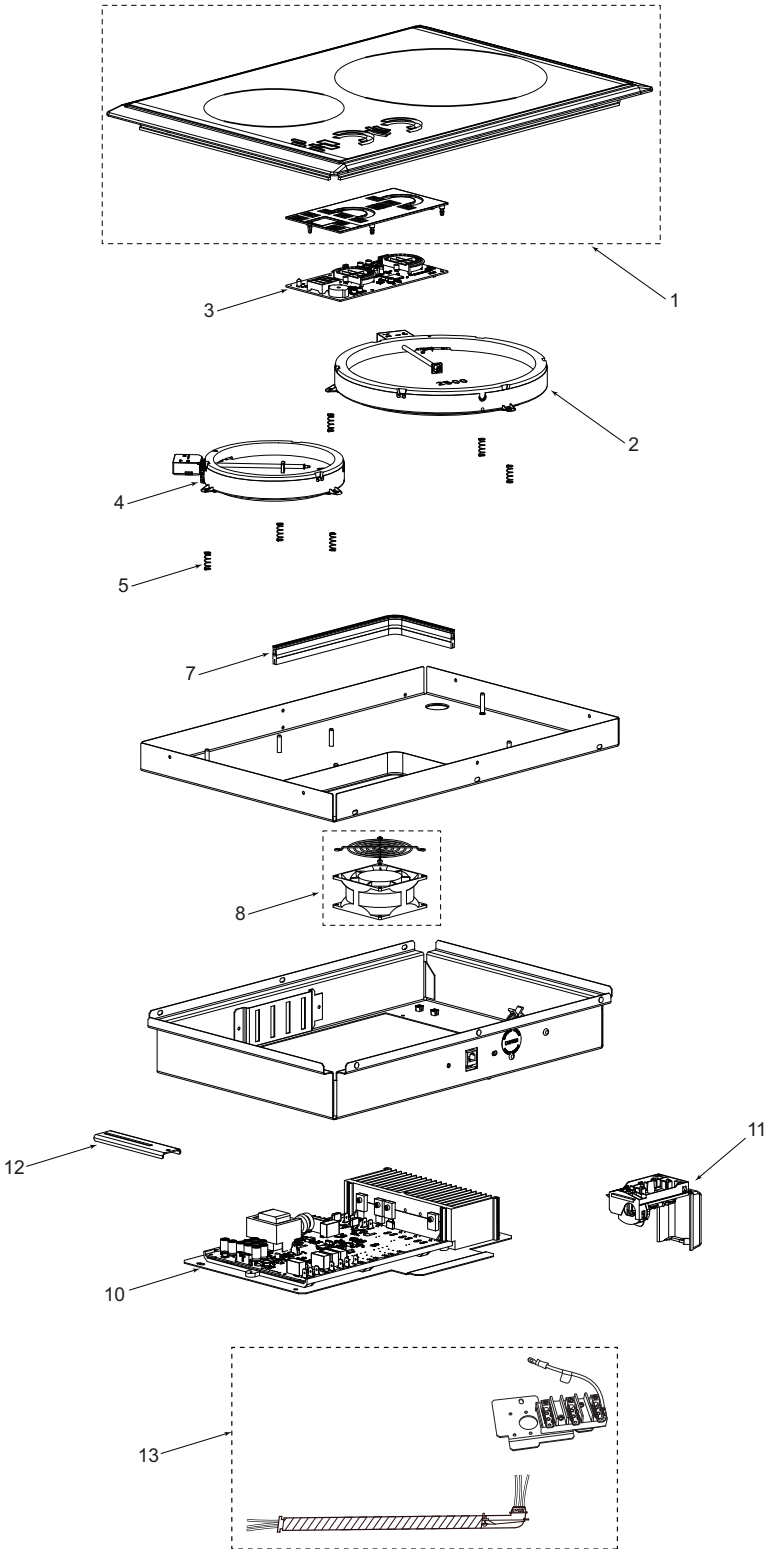


CT15E-2 EXPLODED VIEW



CT30E-2, CT30EU-2, CT30E-208 PARTS LIST

Ref #	Part #	Description
1	811752	Glass & Keypad Assy. (Classic SS) (Domestic)
	811937	Glass and Keypad Assy. (International)
	811754	Glass & Keypad Assy. (Black)
	811756	Glass & Keypad Assy. (Platinum)
	811758	Glass & Keypad Assy. (Unframed) (Domestic)
	811939	Glass and Keypad Assy. (International)
2	811769	Display Module
3	811771	Element, 1200 Watt
	811747	Element, 1200 Watt (208 Volt)
4	811773	Element, 2500 Watt
	811748	Element, 2300 Watt (208 Volt)
5	800511	Spring (Support)
6	811775	Element, 4400 Watt
	811749	Element, 4400 Watt (208 Volt)
8	811782	Seal, Silicone (Must be cut to size)
10	802709	Clamp-down Kit (Not all parts shown)
11	811733	Fan Assy. (30")
12	811742	Power Module (30")
13	811104	Terminal Box and Grnd Wire (International)
14	812686	Flex Conduit w/Terminal Block & Plate Assembly

Not Shown

Part #	Description
811738	CT30E-2 Wire Harness
811740	Communication Cable
811745	Power Supply Cord
811746	Cooktop Fastener / Hardware Kit