

Part Lists with Exploded Views

MICROWAVE OVEN WOLF™

NOTE: The parts with “ ! ” at left may cause undue microwave exposure if defective or installed improperly.
The parts with “ V ” at left are used in voltage above 250 Volts. Observe all warnings when servicing.

Ref. #	Part #	Description	Qty.
ELECTRIC PARTS			
V	1-1	801829 High Voltage Capacitor	1
V	1-2	801774 High Voltage Rectifier Assembly	1
	1-3	801826 Oven Lamp Socket	1
	1-4	801830 Oven Lamp	1
	1-5	801832 Fan Motor	1
	1-6	801823 Fuse Holder	1
	1-7	801773 Monitor Switch (V 16G-2C25 and Fuse Assembly (20A 250V AC	1
	1-8	801827 Secondary Interlock Switch & Door Sensing Switch (V-5230Q)	1 EA
	1-9	801824 Magnetron Temperature Fuse 150°C	1
	1-10	801825 Cavity Temperature Fuse 150°C	1
! V	1-11	801834 Magnetron	1
	1-12	801831 Turntable Motor	1
V	1-13	801833 Power Transformer	1
	1-14	801769 Power Supply Cord	1
	1-15	801772 AH Sensor	1
!	1-16	802955 Latch Hook/Switch/Harness Assembly	1

CABINET PARTS

2-1	801782	Base Plate	1
2-2	801783	Foot	4
2-3	801780	Outer Case Cabinet	1

CONTROL PANEL PARTS

3-1	801768	Control Panel Assembly	1
3-2	801775	Control Panel Frame Assembly	1
3-3	801777	Key Unit	1
3-4	801784	Open Button	1
3-5	801795	Open Button Spring	1
3-6	801842	Screw, 3mm X 10mm	3
3-7	801822	LED Sheet	1
3-8	801787	LCD Holder	1

OVEN PARTS

4-1	801786	High Voltage Capacitor Band	1
4-2	801785	Chassis Support	1
4-3	NA	(See Latch/Switch/Harness Assembly in Electric Parts List Above)	----
4-4	801793	Switch Lever	1
4-5	801817	Magnetron Duct	1
4-6	801796	Fan Blade	1
4-7	801801	Fan Duct	1
4-8	801798	Waveguide Cover	1
4-9	801820	Turntable Motor Packing	1
4-10	801818	Sensor Duct	1
4-11	801800	Cushion	1
4-12	801799	Turntable Motor Cushion	1

NOTE: The parts with “ ! ” at left may cause undue microwave exposure if defective or installed improperly.
The parts with “ V ” at left are used in voltage above 250 Volts. Observe all warnings when servicing.

Ref. #	Part #	Description	Qty.
--------	--------	-------------	------

DOOR PARTS

!	5-1	801770	Door Frame Assembly	1
!	5-1-1	801788	Latch Head	1
	5-1-2	801794	Latch Spring	1
!	5-2	801771	Door Panel	1
	5-3	801821	Sealer Film	1
	5-4	801781	Choke Cover	1
	5-5	802954	Door Assembly (Minus Choke Cover)	1

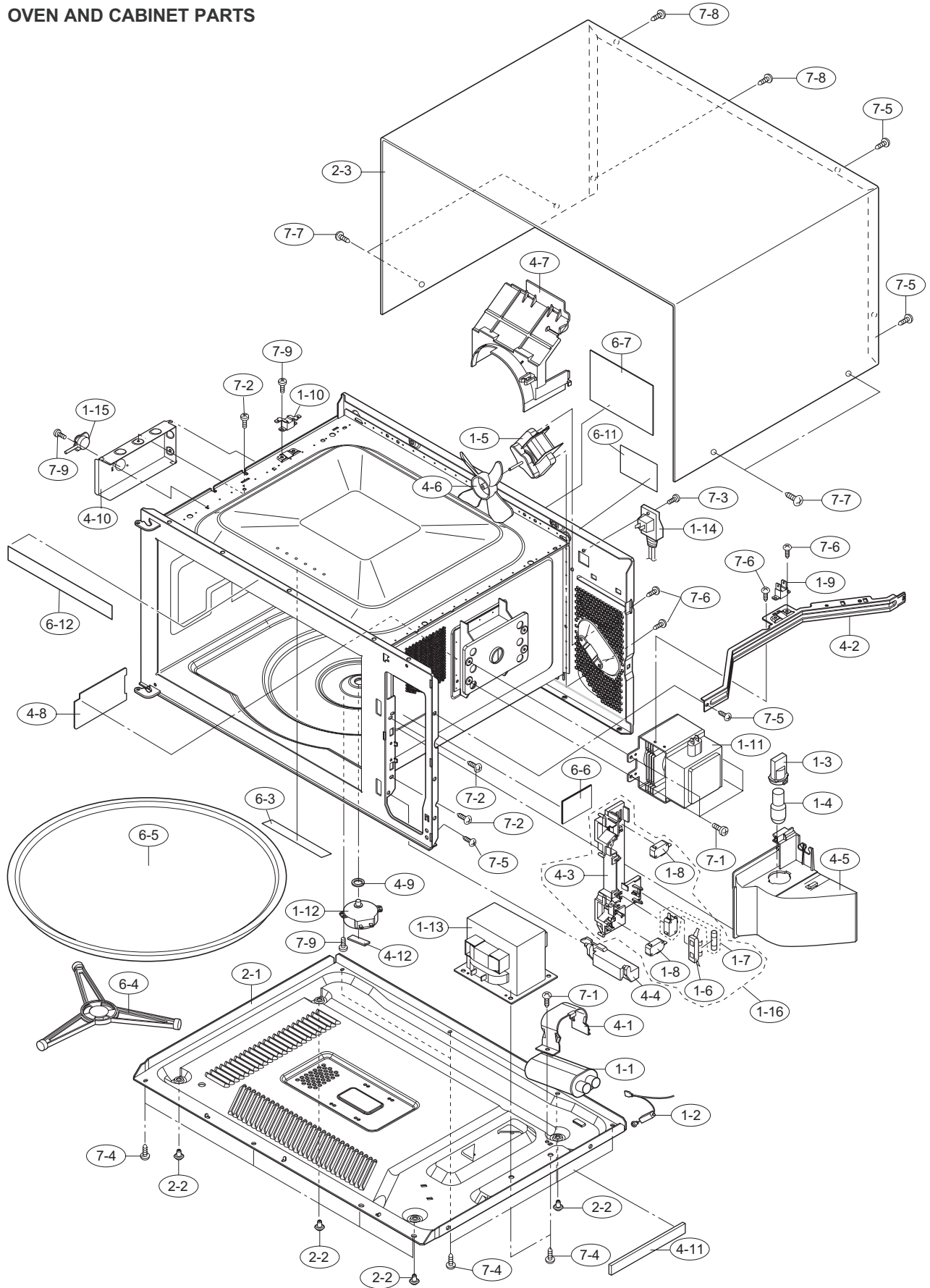
MISCELLANEOUS

	6-1	801778	Stop Switch Harness	1
	6-2	801779	Main Wire Harness	1
	6-3	801840	Cavity Hole Cover	1
	6-4	801776	Turntable Support	1
	6-5	801797	Turntable Tray	1
	6-6	801836	Monitor Caution Label	1
	6-7	801837	DHHS / Screw Caution Label	1
	6-8	801839	Operation Manual	1
V	6-9	801828	High Voltage Wire A	1
	6-10	801835	Recipe Card	1
	6-11	801838	BIK Caution Label	1
	6-12	803974	Menu Label , Microwave	1

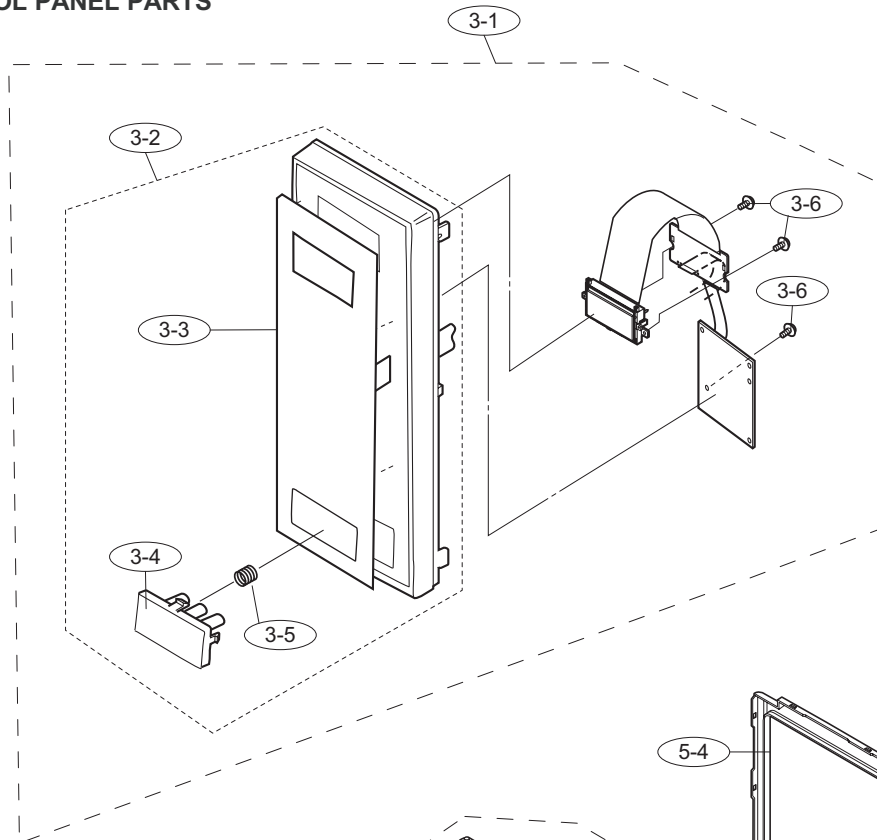
SCREWS, NUTS & WASHERS

	7-1	801789	Special Screw	5
	7-2	801790	Special Screw	3
	7-3	801844	Screw	1
	7-4	801846	Screw	12
	7-5	801791	Screw	2
	7-6	801843	Screw	3
	7-7	802792	Screw	4
	7-8	801792	Special Screw (Torx Tamperproof)	2
	7-9	801841	Screw	4

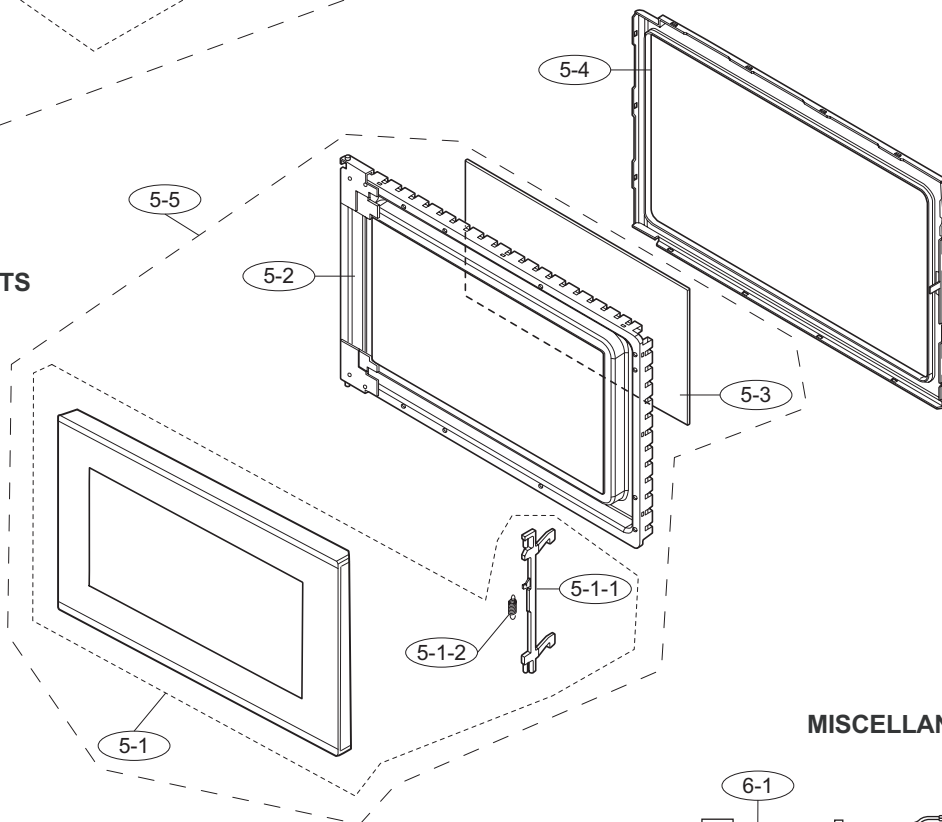
OVEN AND CABINET PARTS



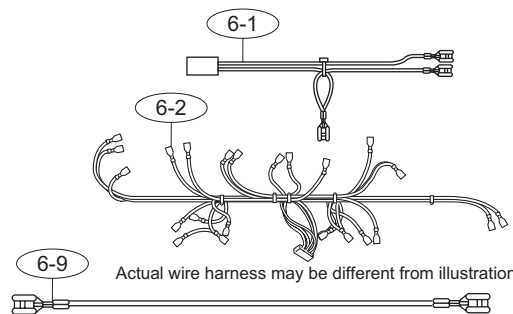
CONTROL PANEL PARTS



DOOR PARTS



MISCELLANEOUS



Actual wire harness may be different from illustration.