

Ref. #	Part #	Description	Qty.
--------	--------	-------------	------

NOTE: The parts with “ ! ” at left may cause undue microwave exposure if defective or installed improperly.
 The parts with “ V ” at left are used in voltage above 250 Volts. Observe all warnings when servicing.

ELECTRICAL PARTS

	1-1	806146	Power Supply Cord	1
	1-2	806147	Monitor Fuse 20A and Monitor Switch (v-5220D) Assembly	1
	1-3	806148	Noise Filter	1
	1-4	806149	Primary Interlock Switch/ Third Door Switch/ Door Sensing Switch	3
	1-5	806150	Thermistor	1
	1-6	806151	Damper Switch	1
	1-7	806152	Magnetron Thermal Cut-out 125°C .	1
	1-8	806153	Oven and Convection Thermal Cut-out 150°C	2
	1-9	806154	Damper Motor	1
	1-10	806155	Oven Lamp	1
	1-11	806156	Oven Lamp Socket	1
	1-12	806157	Convection Fan Motor	1
	1-13	806158	Fan Motor	1
	1-14	806159	Heating Element	1
V	1-15	806160	Power Transformer	1
V	1-16	806161	H.V. Capacitor	1
V	1-17	806162	H.V. Rectifier Assembly	1
! V	1-18	806163	Magnetron	1
! V	1-19	806164	Magnetron (Interchangeable)	1
	1-20	806165	Turntable Motor	1
	1-21	806166	AH Sensor	1

CABINET PARTS

	2-1	806167	Outer Case Cabinet	1
	2-2	-	Base Cabinet (Not Replaceable)	1
	2-3	806169	Foot	4
	2-4	-	Rear Cabinet (Not Replaceable)	1
	2-5	806170	Cord Holder	1
	2-6	806171	Capacitor Holder	1
	2-7	806172	Oven Hinge (Lower)	1
!	2-8	806173	Latch Hook	1
	2-9	806174	Switch Lever	1
	2-10	806175	Turntable Motor Cover	1
	2-11	806176	CSA Barrier	1

CONTROL PANEL PARTS

	3-1	806177	Control Unit	1
	3-2	806178	Control Panel Frame with Key Unit	1
	3-2-1	806179	Key Unit	1
	3-2-2	806180	Open Button	1
	3-2-3	806181	Open Button Spring	1
	3-3	806182	Control Panel Back Plate	1
	3-4	806183	Open Lever	1
	3-5	806184	Open Shaft	1
	3-6	806185	Screw ; Control Unit Mtg.	3
	3-7	806186	Screw ; Control Panel Back Plate Mtg.	3
	3-8	806187	Screw ; Control Panel Mtg.	2
	3-9	806188	Screw ; Power Unit Assy.	2

Ref. #	Part #	Description	Qty.
OVEN PARTS			
4-1	-	Oven Cavity Assembly (Not Replaceable)	1
4-2	806190	Turntable Support	1
4-3	806191	Turntable Tray	----
4-4	806192	Bearing Assy.	1
4-5	806193	Thermal Protection Plate (Left)	1
4-6	806194	Bearing Mounting Plate	1
4-7	806195	Heater Element Holder	1
4-8	806196	Bearing Holder Plate	1
4-9	806197	Convection Fan	1
4-10	806198	Pulley (F)	1
4-11	806199	Heater Duct Assembly	1
4-12	806200	Thermal Protection Sheet (Left)	1
4-13	806201	Glass Mounting Plate	
4-14	806202	Cushion	
4-15	806203	Cushion	
4-16	806204	Steam Duct Assembly	
4-17	806205	Damper Cam	
4-18	806206	Damper Shaft	
4-19	806207	Damper Door Assembly	
4-20	806208	Damper Duct	
4-21	806209	Cushion	
4-22	806210	Turntable Coupling	
4-23	806211	Wavecover Guide	
4-24	806212	Cushion	
4-25	806213	Light Glass	
4-26	806214	Thermal Protection Sheet (Right)	
4-27	806215	Thermal Protection Plate (Right)	
4-28	806216	Air Guide (Bottom)	
4-29	806217	Air Guide (Right)	
4-30	806218	Convection Motor Mounting Plate	
4-31	806219	Pulley (M)	
4-32	806220	Fan Blade	
4-33	806221	Cooling Fan Duct	
4-34	806222	Chassis Support	
4-35	806223	Oven Hinge (Upper)	
4-36	806224	Convection Fan Belt	
4-37	-	Nose Unit Angle (Not Replaceable)	
4-38	806225	Cushion	
4-39	806226	Damper Duct Cushion	
4-40	806227	Cushion	
4-41	806228	Magnetron Air Guide	
4-42	806229	Thermal Protection Sheet	
4-43	806230	Thermo Cover	

Ref. #	Part #	Description	Qty.
--------	--------	-------------	------

DOOR PARTS

!	5	806231	Door Frame Assembly	1
!	5-1	806232	Door Panel	1
	5-2	806233	Choke Cover	1
	5-3	806235	Latch Angle	1
!	5-4	806236	Latch Head	1
	5-5	806237	Latch Head Spring	1
	5-6	806333	Thermal Plate U	1
	5-7	806328	Thermal Plate R	1
	5-8	806238	Screw, 4mm x 8mm	6
	5-9	806239	Screw, 3mm x 8mm	12
	5-10	806329	Cushion	1

MISCELLANEOUS

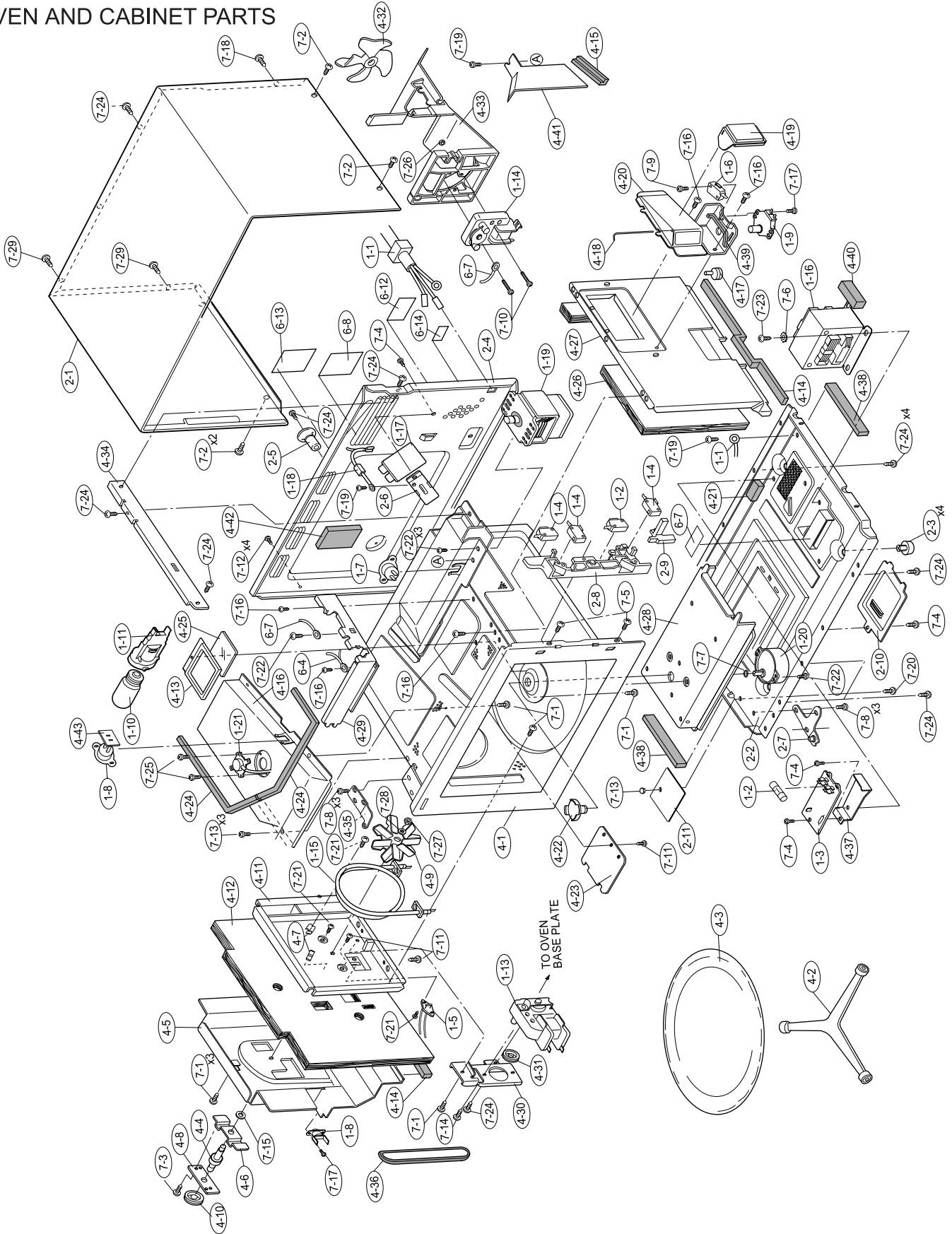
	6-1	806240	Low Rack (Boiling Trivet)	1
	6-2	806241	High Rack (Baking Rack)	1
	6-3	806242	Thermistor Harness	1
	6-4	806243	Main Wire Harness	1
	6-5	806244	High Voltage Wire B	1
	6-6	806245	Grounding Wire (Cooling Fan Motor)	1
	6-7	806246	Monitor Caution Label	1
	6-8	806247	NHW Caution Label	1
	6-9	806248	Operation Manual	1
	6-10	806249	Purse Lock LL	1
	6-11	806250	User Caution	1
	6-12	806251	BIK Label	1
	6-13	806252	GND Caution Label	1
	6-14	806330	UL Screw Label	1

SCREWS, NUTS & WASHERS

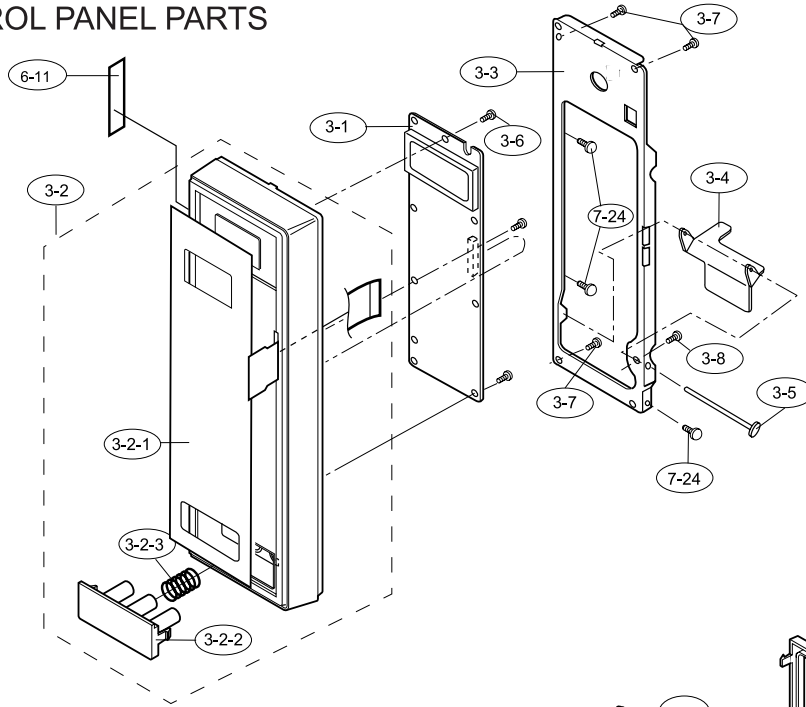
	7-1	806253	Screw, 4mm x 10mm	14
	7-2	806254	Screw, 4mm x 12mm	4
	7-3	806255	Screw, 4mm x 8mm	2
	7-4	806256	Screw, 4mm x 8mm	4
	7-5	806257	Special Screw	2
	7-6	806258	Washer, 6mm x 0.7mm	1
	7-7	806259	Washer	1
	7-8	806260	Special Screw	6
	7-9	806261	Screw, 3mm x 14mm	1
	7-10	806262	Screw, 4mm x 25mm	2
	7-11	806263	Screw, 4mm x 6mm	7
	7-12	806264	Screw, 4mm x 8mm	7
	7-13	806265	Special Nut	1
	7-14	806266	Screw, 4mm x 6mm	2
	7-15	806267	Washer	1
	7-16	806268	Screw, 4mm x 8mm	6
	7-17	806331	Screw, 4mm x 6mm	3
	7-18	806269	Special Screw	1
	7-19	806270	Screw, 4mm x 8mm	3
	7-20	806271	Screw, 4mm x 6mm	1
	7-21	806272	Screw, 3mm x 6mm	4
	7-22	806273	Screw, 4mm x 8mm	6
	7-23	806274	Screw, 6mm x 14mm	2

7-24	806275	Screw, 4mm x 12mm	21
7-25	806276	Screw, 3mm x 8mm	2
7-26	806277	Nut, 4mm x 3.2mm	2
7-27	806278	Nut, 4mm x 3.2mm	1
7-28	806279	Washer, 4mm x 1mm	1
7-29	806280	Screw, UL	2

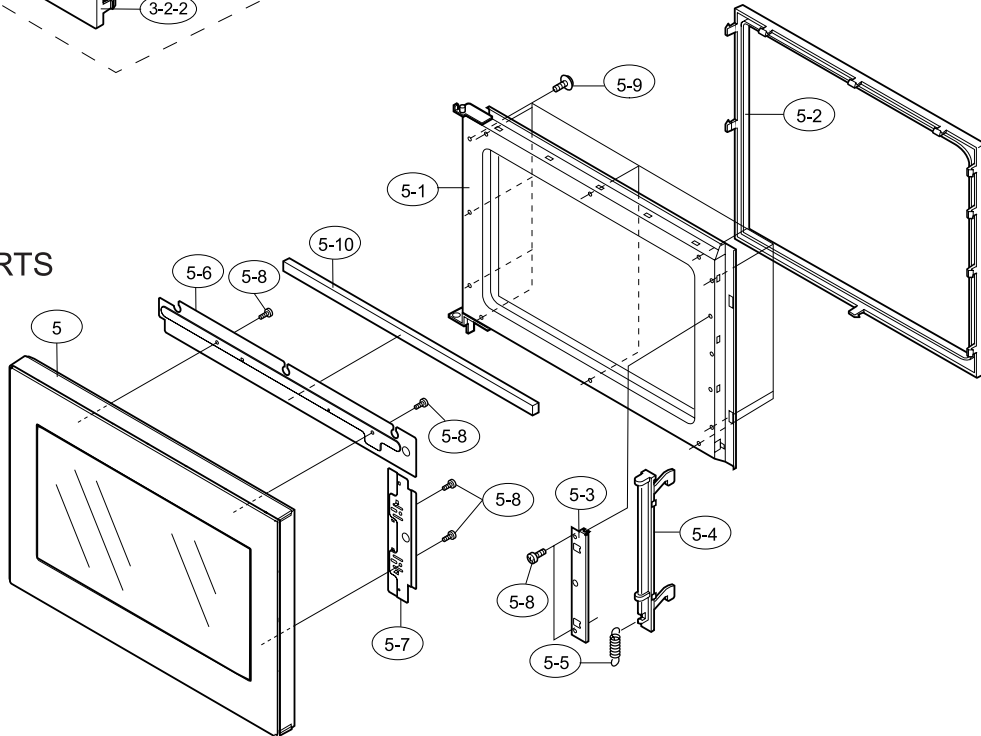
OVEN AND CABINET PARTS



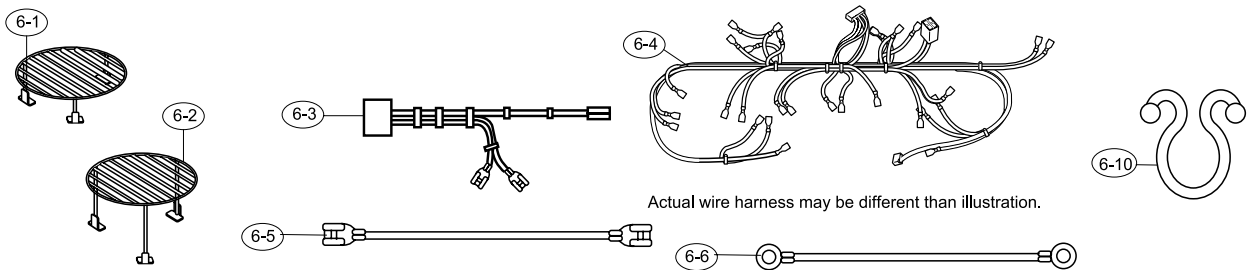
CONTROL PANEL PARTS



DOOR PARTS



MISCELLANEOUS



Actual wire harness may be different than illustration.