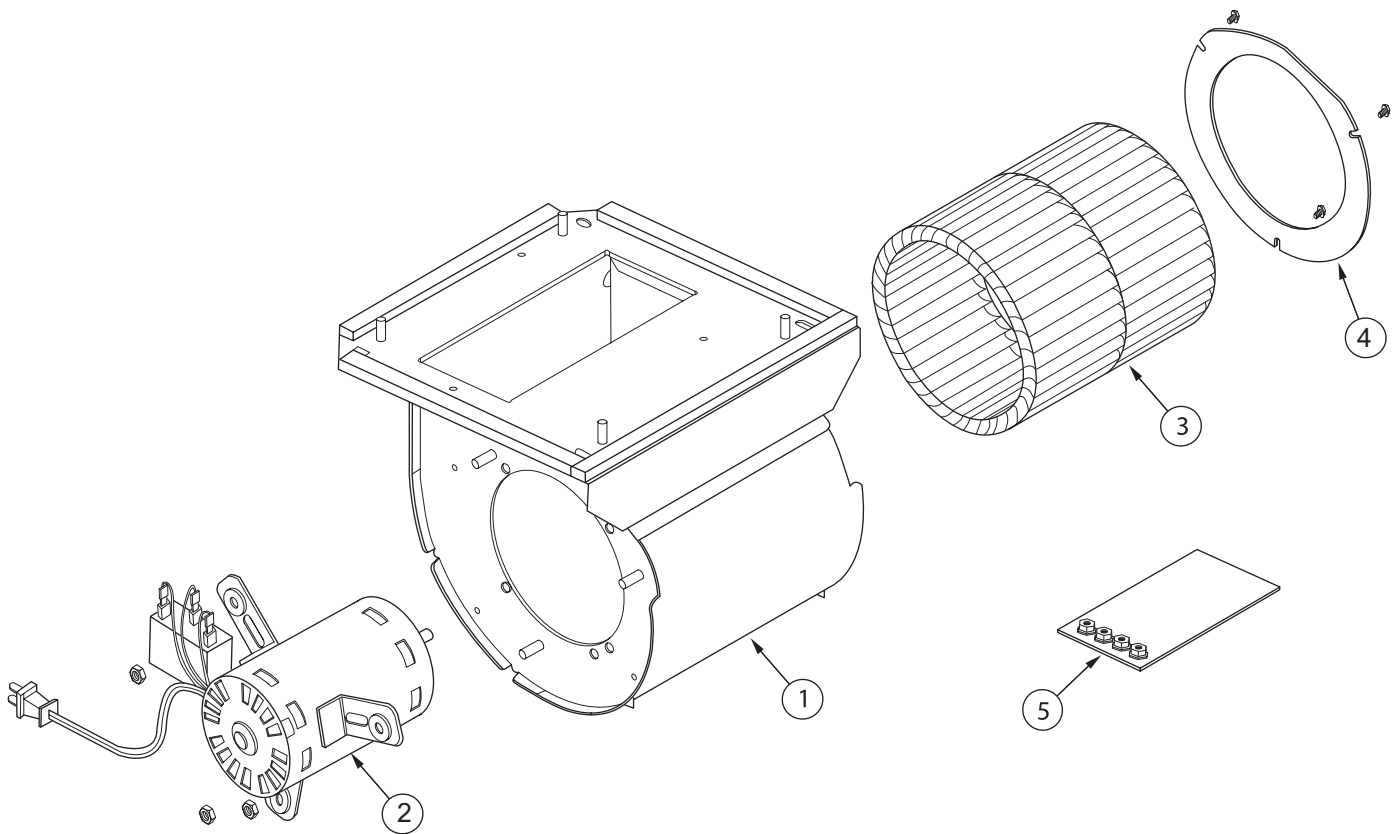


INTERNAL MODEL 801643 (450 CFM)



Ref #	Part #	Description
1.	803092	Blower Scroll Weldment-450INT
2.	803093	Motor w/Capacitor-450/900INT
3.	803094	Blower Wheel-450/900 INT
4.	803095	Inlet Ring - 450/900 INT
5.	806504	Mount Hardware-45,60,90,1120INT