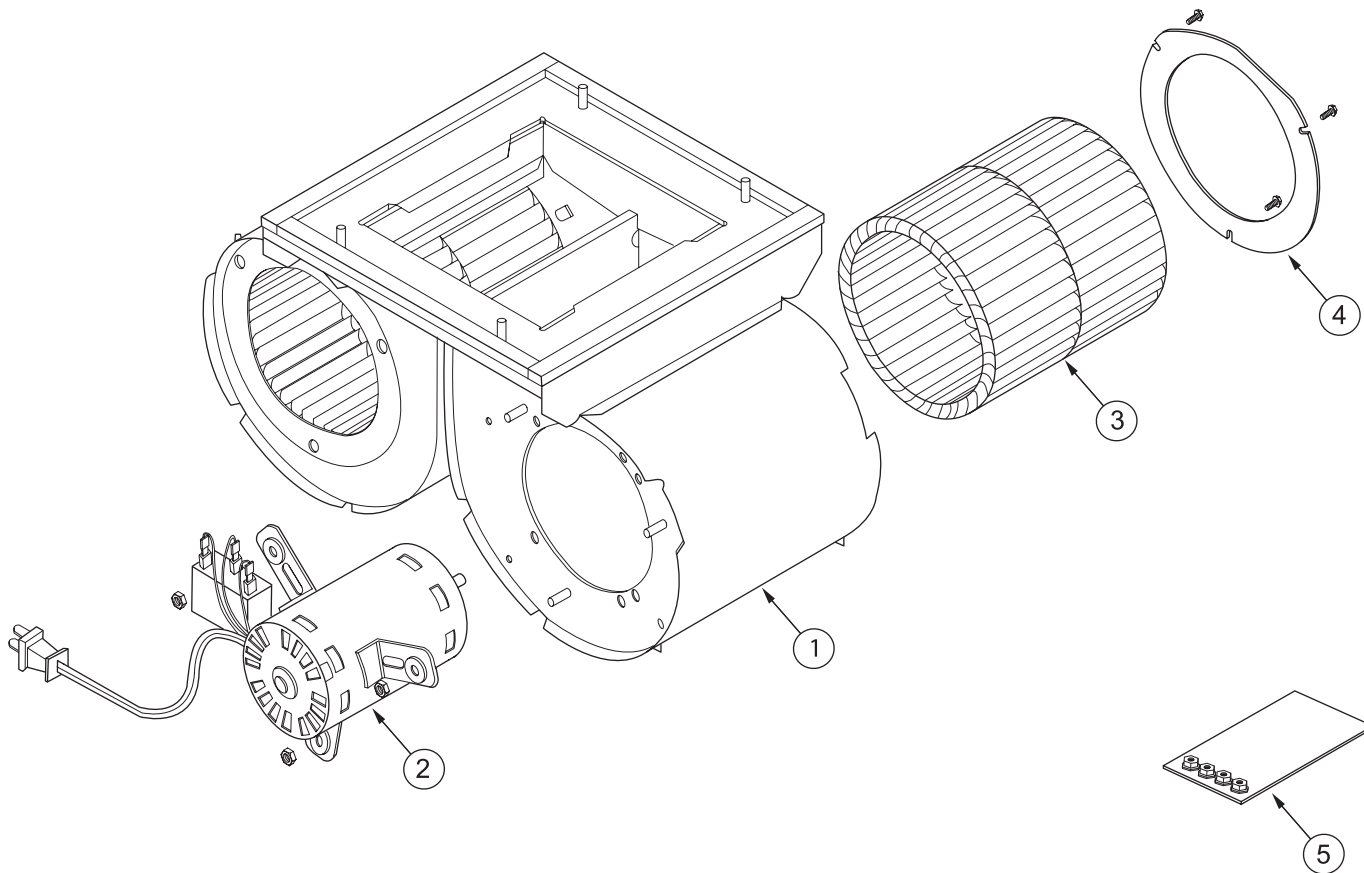


INTERNAL MODEL 801645 (900 CFM)



<u>Ref #</u>	<u>Part #</u>	<u>Description</u>
1.	803100	Blwr Scroll Weldment
2.	803093	Motor w/Capacitor-450/900INT
3.	803094	Blower Wheel-450/900 INT
4.	803095	Inlet Ring - 450/900 INT
5.	806504	Mount Hardware-45,60,90,1120INT