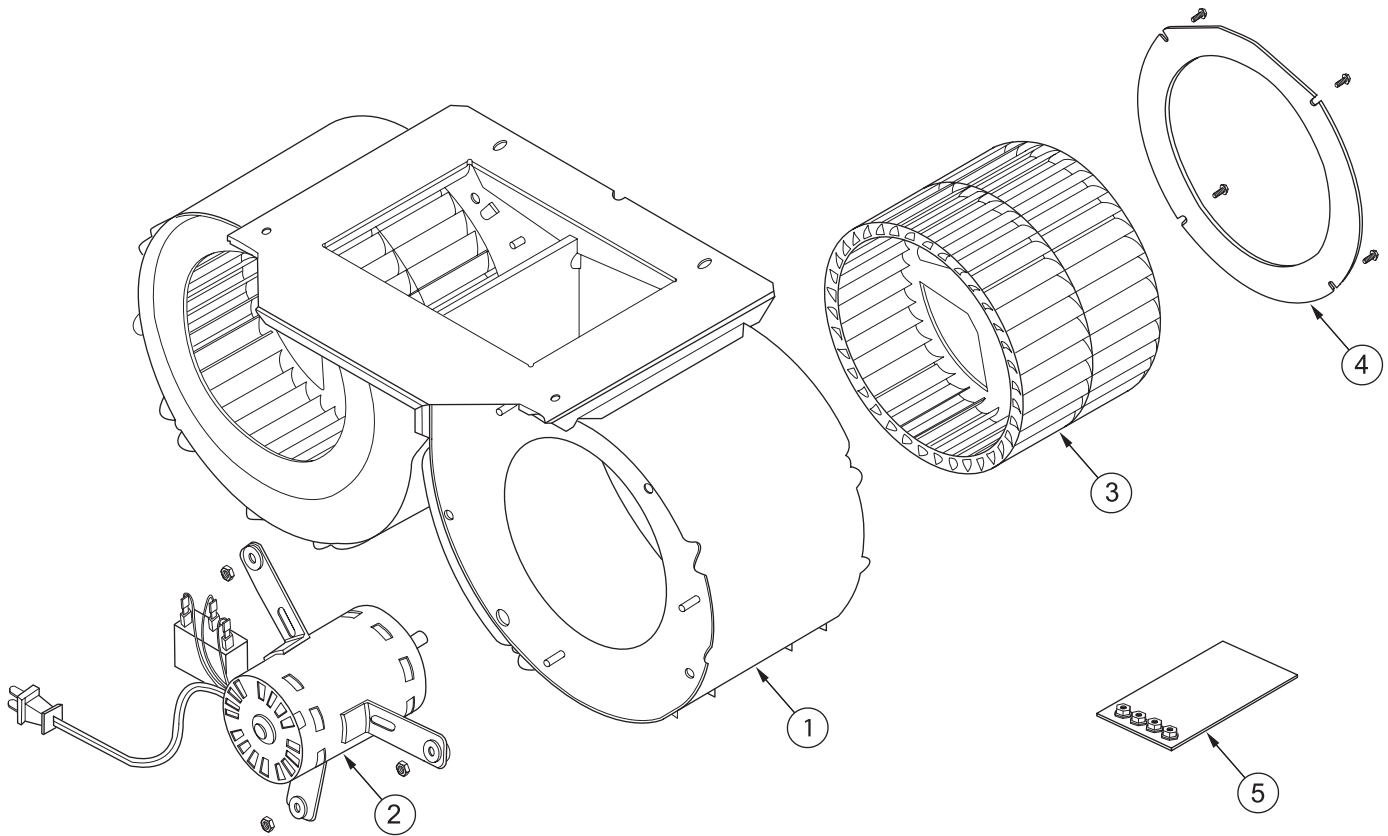


INTERNAL MODEL 804703 (1200 CFM - Island Hoods)



<u>Ref #</u>	<u>Part #</u>	<u>Description</u>
1.	806513	Blower Weldment-I120INT
2.	803097	Motor w/Capacitor
3.	803098	Blower Wheel
4.	803099	Inlet Ring
5.	806504	Mount Hardware-45,60,90,I120INT