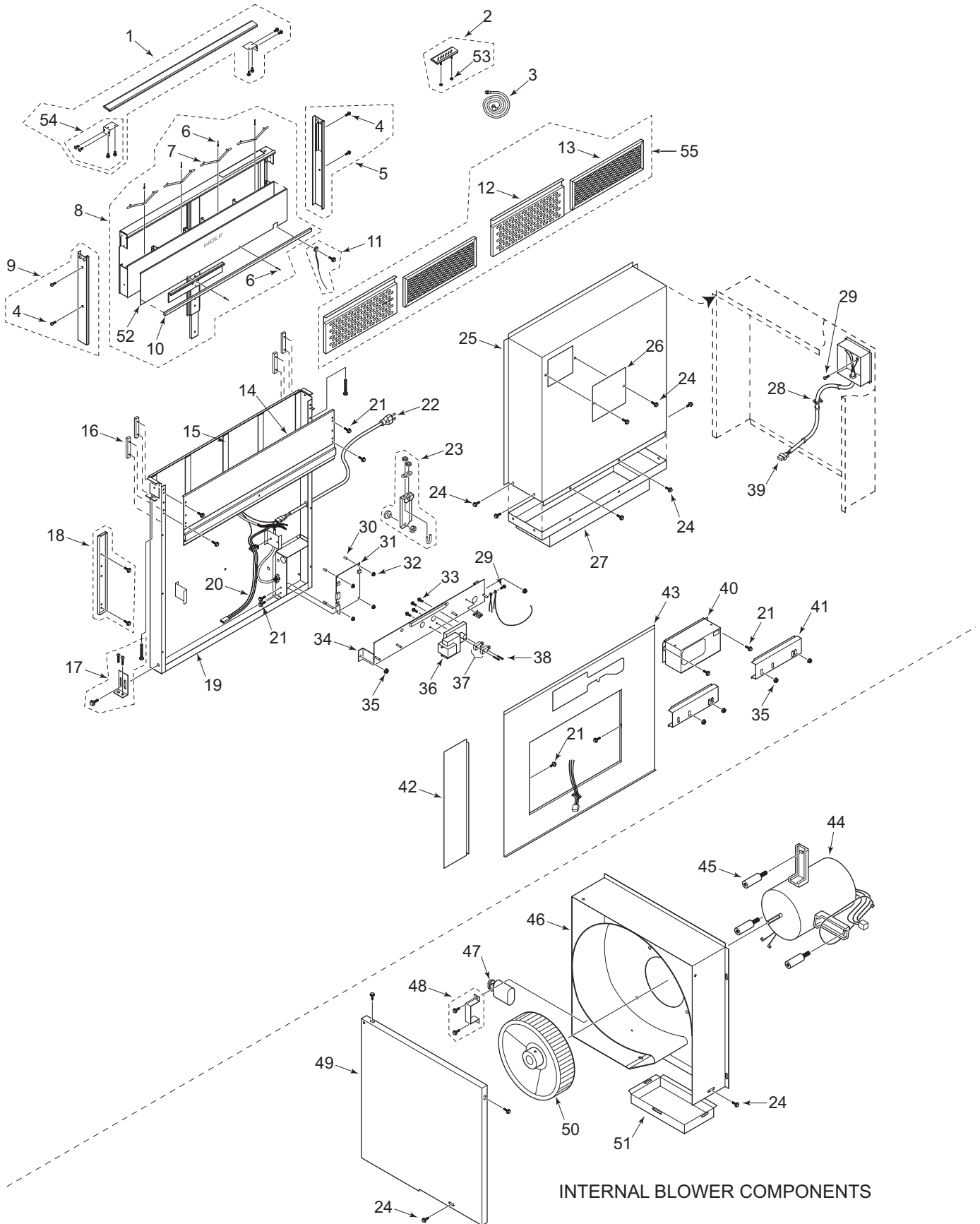


**MODEL DD30I/DD30R, DD36I/DD36R & DD45I/DD45R PARTS LIST**

<u>Ref #</u>	<u>Part #</u>	<u>Description</u>	<u>Ref #</u>	<u>Part #</u>	<u>Description</u>
1	803587	Top Cover, Stainless Steel, 30"	27	803612	Outlet Plate, Ext/Remote Blower
	803588	Top Cover, Stainless Steel, 36"	28	* NA	Plastic Clip
	806429	Top Cover, Stainless Steel, 45"	29	* NA	Screw, 10-32 X .500
	803634	Top Cover, Platinum, 30"	30	* NA	Nylon Spacer, .171 id x .375 L
	803602	Top Cover, Platinum, 36"	31	803595	Cntrl Brd, DD (See SN Break)
	803603	Top Cover, Black, 30"		805906	Cntrl Brd, DD (See SN Break) (Intl Only)
	803604	Top Cover, Black, 36"		810086	Cntrl Brd, DD (See SN Break)
	803722	Installation Template 30"		810087	Cntrl Brd, DD (See SN Break) (Intl Only)
	803723	Installation Template 36"	32	* NA	Hex Nut 8-32 KEPS
	806442	Installation Template 45"	33	* NA	Screw, 8-32 X .5 PH RD HD
2	803594	User Interface Assy, SS (See SN Break)	34	803619	Gear Motor Bracket
	810083	User Interface Assy, SS (See SN Break)		808431	Gear Motor Bracket
	803605	User Interface Assy, PI (See SN Break)	35	803626	Whiz Nut, 10-24 (Set of 8)
	810084	User Interface Assy, PI (See SN Break)	36	803620	Gear Motor Assy w/Micro Switches, 30"
	803606	User Interface Assy, Blk (See SN Break)		803589	Gear Motor Assy w/Micro Switches, 36"
	810085	User Interface Assy, Blk (See SN Break)		808432	Gear Motor Kit (Model DD30I, 30R)
3	803593	Cable, User Interface (See SN Break)		808433	Gear Motor Kit (Model DD36I)
	810082	Cable, User Interface (See SN Break)		808434	Gear Motor Kit (Model DD 36R)
4	* NA	Screw HD Tap, 8-18 X .375		808435	Gear Motor Kit (Model DD45I, 45R)
5	803607	End Cap RH	37	804231	Micro-Switches (Set of 2)
6	* NA	Pop Rivet, .125 X .212	38	* NA	Screw, #4-40 X 1
7	804790	Filter Clip, DD (Set of 4)	39	803610	Wire Harness, Ext/Remote Blower
8	803590	Chimney Assy., 30"	40	803632	Gear Motor Cover (Model DD30I)
	803635	Chimney Assy., 36"		803622	Gear Motor Cover (Model DD30R)
	806430	Chimney Assy., 45"		803621	Gear Motor Cover (Model DD36I)
9	803608	End Cap LH		803623	Gear Motor Cover (Model DD36R)
10	804520	Srv. Assy. Foam Seal, 30" (Downdraft)		808436	Gear Motor Cover (Model DD36I)
	804521	Srv. Assy. Foam Seal, 36" (Downdraft)		808437	Gear Motor Cover (Model DD36R)
	806432	Foam Seal, 45"		806440	Gear Motor Cover (Model DD45I)
11	803631	Ground Wire w/Screw		806441	Gear Motor Cover (Model DD45R)
12	804791	Grille, Filter 30" RH	41	803625	Airbox Clamp (Set of 2)
	804792	Grille, Filter 30" LH	42	803624	Airbox Opening Cover
	804793	Grille, Filter 36" RH	43	803618	Front Airbox Bottom, 30"
	804794	Grille, Filter 36" LH		803630	Front Airbox Bottom, 36"
	806435	Grille, Filter 45" LH		806439	Front Airbox Bottom, 45"
	806434	Grille, Filter 45" RH		808430	Front Airbox Assy, 36"
13	804795	Filter 30"		806439	Front Airbox Assy, 45"
	804796	Filter 36"	44	803597	Blower Motor with Capacitor (500CFM)
	806436	Filter 45"	45	803600	Isolator, Motor Mount (3 Required)
14	804797	Front Airbox Assy, 30"	46	803633	Scroll Box Assy
	805039	Front Airbox Assy, 36"	47	803599	Capacitor
	806438	Front Airbox Assy, 45"	48	803601	Capacitor Clamp w/screws
15	803614	Slide Strips (Set of 5)	49	803627	Scroll Box cover
16	803613	Spacer (Set of 4)	50	803598	Blower Wheel
17	804563	Downdraft Hardware Mount Pack	51	803628	Exterior Scroll Box Weld
18	803609	Machine Chimney Slide Assy		<b>808438</b>	<b>SCROLL BOX WELDMENT</b>
19	803615	Airbox Weldment, 30"	52	804799	Trim Panel 30"
	803616	Airbox Weldment, 36"		805038	Trim Panel 36"
	806437	Airbox Weldment 45"		806431	Trim Panel 45"
20	803611	Wire Harness, Downdraft	53	* NA	Push Nut, #10
21	* NA	Screw, 8B - .250	54	805040	Top Cvr, Mount Hrdwr Pck (RH/LH Set)
22	803617	Cord Set	55	803591	Filter Assemblies, 30
23	803596	Crank Assy		803592	Filter Assemblies, 36
24	* NA	Screw HD Tap, 8-18 X .375		806433	Filter Assemblies, 45
25	803629	Adapter Plate, Ext/Remote Blower			
26	804798	Cover, Adapter Plate			
	808439	Cover, Adapter Plate			

\* **NOTE:** All "NA" parts can be purchased at a local hardware store.

MODEL DD30I/DD30R, DD36I/DD36R & DD45I/DD45R EXPLODED VIEW



INTERNAL BLOWER COMPONENTS