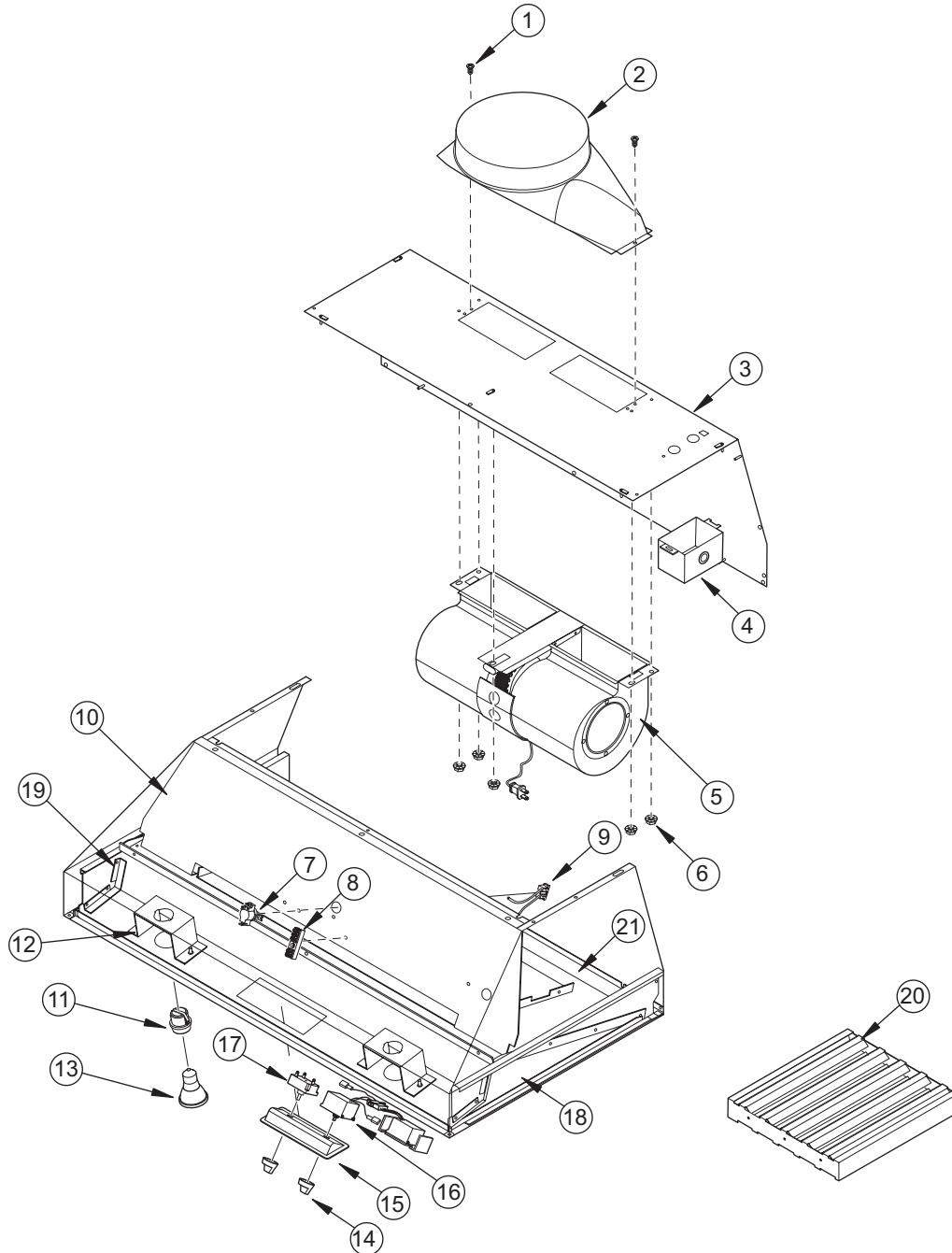


MODEL L282212I PART LIST

<u>Ref #</u>	<u>Part #</u>	<u>Description</u>	<u>Ref #</u>	<u>Part #</u>	<u>Description</u>
1	805317	Screw, #8 X 1/2 Pan HD. Phil. S/M (2)	11	805325	Light Socket, Ceramic (2)
2	805482	17-3/4" X 7-1/2" To 8" Rnd Trans.	12	805343	Light Bracket (2)
3	805389	Removable Back Panel 28	13	805327	Halogen Light, 50 Par. 20/Cap (2)
4	805346	Electrical J-Box	14	805328	Knob, Switch Control (2)
5	805347	600 CFM Blower	15	805329	2-Hole Bezel, Switch
6	805320	Nut, 10-24 Hex Flange Lock (4)	16	805330	Fan Speed Control
7	805323	Thermostat, Hi-Temp. Sensor	17	805331	Light Switch Control #83
8	805324	Electrical Terminal Block	18	N/A	Inner Wall (Left & Right)
9	805335	2-Hole Electrical Outlet (See SN Breaks)	19	N/A	Side Bracket
	805342	3-Hole electrical Outlet (See SN Breaks)	20	805334	Baffle Filter, 11-7/8" x 11-7/8" (2)
10	N/A	Top Partition (28")	21	N/A	Liner (28")

MODEL L282212I EXPLODED VIEW



NOTE: 600 CFM internal blower included with this model.