

MODEL L342212, L402212, L462212, L522212, L582212 PART LIST

<u>Ref #</u>	<u>Part #</u>	<u>Description</u>	<u>Ref #</u>	<u>Part #</u>	<u>Description</u>
1	805317	Screw, #8 X 1/2 Pan HD. Phil. S/M (6)	10	805087	1200 CFM Blower (***)
2	805345	21-1/4" X 8-1/2" To 10" Rnd. Trans.	11	805325	Light Socket, Ceramic (*)
3	805348	Removable Back Panel, 34"	12	805343	Light Bracket (*)
	805377	Removable Back Panel, 40"	13	805327	Halogen Light, 50 Par. 20/Cap (*)
	805378	Removable Back Panel, 46"	14	805328	Knob, Switch Control (2)
	805379	Removable Back Panel, 52"	15	805329	2-Hole Bezel, Switch
	805380	Removable Back Panel, 58"	16	805330	Fan Speed Control
4	805346	Electrical J-Box	17	805331	Light Switch Control #83
5	N/A	Mounting Plate, 1200 CFM Blower	18	N/A	Inner Wall (Left & Right)
6	805320	Nut, 10-24 Hex Flange Lock (6)	19	N/A	Side Bracket
7	805323	Thermostat, Hi-Temp. Sensor	20	805354	Baffle Filter, SS, 13-1/2" X 12-7/8" (**)
8	805324	Electrical Terminal Block	21	N/A	Liner (28")
9	805342	3-Hole Electrical Outlet	22	N/A	Top Partition (34", 40", 46", 52", 58")

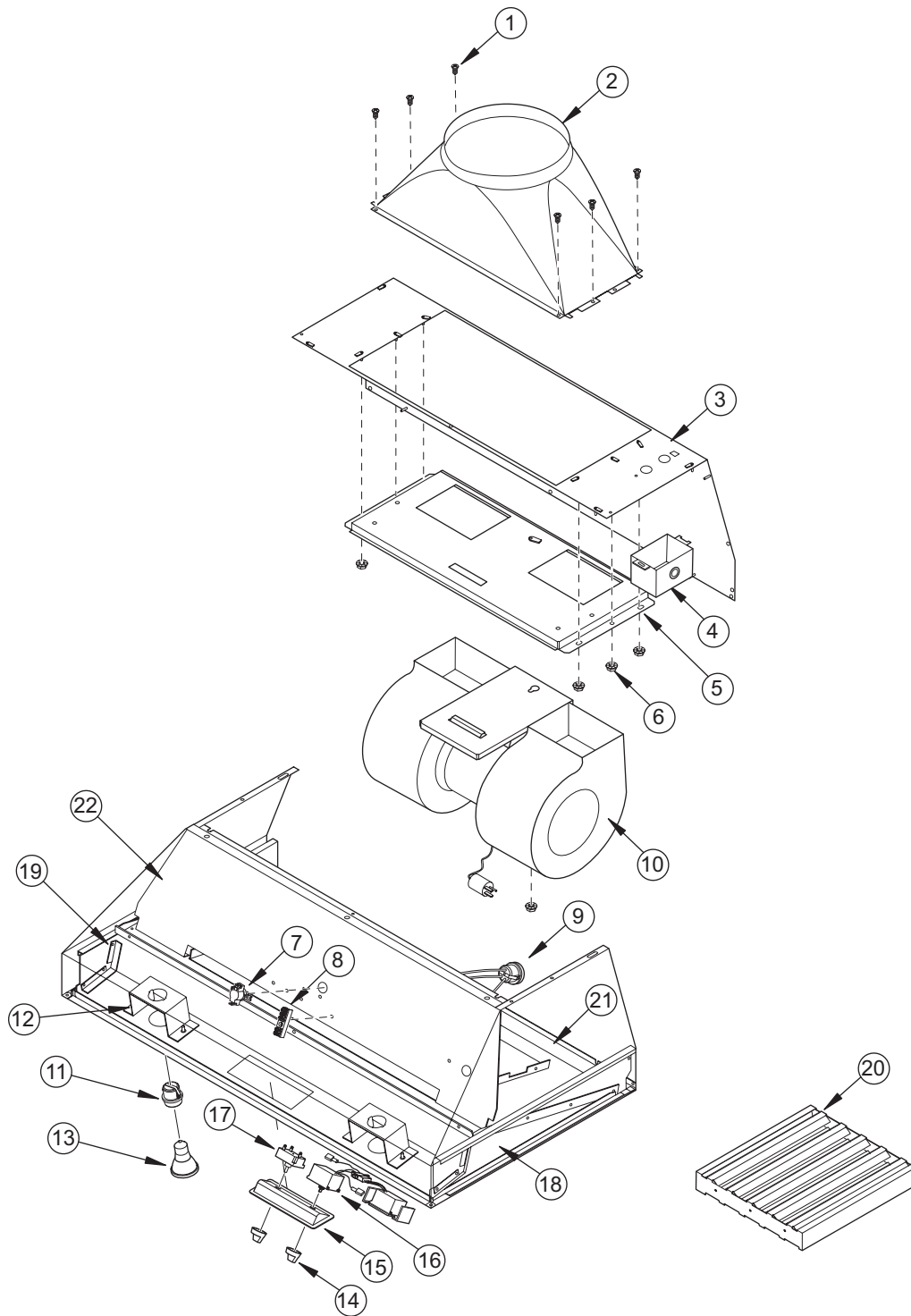
NOTES:

(*) (2) 34", 40", 46" wide
 (3) 52", 58" wide

(**) (2) 34", 40" wide
 (3) 46", 52" wide
 (4) 58" wide

(***) Not Included with Hood (Sold Separately)

MODEL L342212, L402212, L462212, L522212, L582212 EXPLODED VIEW



NOTE: Can use 1200 CFM internal blower with these models (not included), or remote blower (not included).