

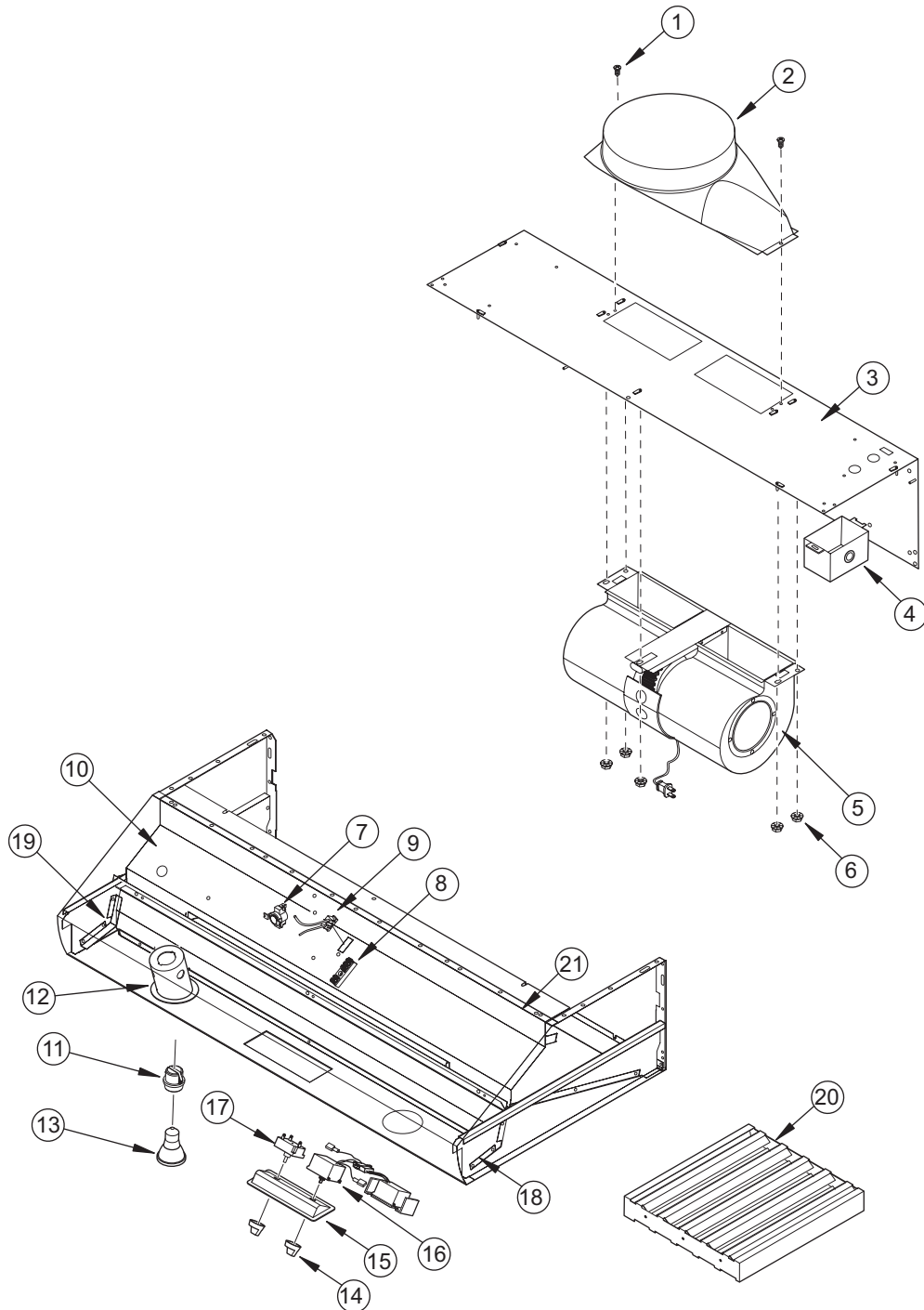
**MODEL W302210I, W362210I, W362210, W422210, W482210 PART LIST**

<u>Ref #</u>	<u>Part #</u>	<u>Description</u>	<u>Ref #</u>	<u>Part #</u>	<u>Description</u>
1	805317	Screw, #8 X 1/2 Pan HD. Phil. S/M (2)	10	N/A	Top Partition (30",36",42",48")
2	805482	17 3/4" X 7 1/2" To 10" Rnd Trans.	11	805325	Light Socket, Ceramic (*)
3	805355	Removable Back Panel 30"	12	805326	Light Holder (*)
	805356	Removable Back Panel 36"	13	805327	Halogen Light, 50 Par. 20/Cap (*)
	805361	Removable Back Panel 42"	14	805328	Knob, Switch Control (2)
	805362	Removable Back Panel 48"	15	805329	2-Hole Bezel, Switch
4	805346	Electrical J-Box	16	805330	Fan Speed Control
5	805347	600 CFM Blower	17	805331	Light Switch Control #83
	<i>(Included w/W302210I &amp; W362210I only)</i>		18	N/A	Inner Wall (Left & Right)
6	805320	Nut, 10-24 Hex Flange Lock (4)	19	N/A	Side Bracket
7	805323	Thermostat, Hi-Temp. Sensor	20	805354	Baffle Filter, 13-1/2 X 12-7/8 ( * )
8	805324	Electrical terminal Block	21	N/A	Liner
9	805335	2-Hole Electrical Outlet (See SN Breaks)			
	805342	3-Hole electrical Outlet (See SN Breaks)			

**NOTES:**

- ( \* ) (2) 30", 36", 42" wide  
(3) 48" wide

**MODEL W302210I, W362210I, W362210, W422210, W482210 EXPLODED VIEW**



**NOTE:** 600 CFM internal blower included with models W302210I & W362210I only.  
Internal blower not included with models W362210, W422210, W482210, must use remote blower (not included).