

MODEL W482418, W542418, W602418, W662418 PART LIST

| <u>Ref #</u> | <u>Part #</u> | <u>Description</u> | <u>Ref #</u> | <u>Part #</u> | <u>Description</u> |
|--------------|---------------|---|--------------|---------------|---|
| 1 | 805317 | Screw, #8 X 1/2 Pan HD. Phil. S/M (6) | 13 | 805327 | Halogen Light, 50 Par. 20/Cap (*) |
| 2 | 805345 | 21-1/4" X 8 -1/2" To 10" Rnd Trans. | 14 | 805328 | Knob, Switch Control (2) |
| 3 | 805395 | Removable Back Panel 48" | 15 | 805329 | 2-Hole Bezel, Switch |
| | 805396 | Removable Back Panel 54" | 16 | 805330 | Fan Speed Control |
| | 805397 | Removable Back Panel 60" | 17 | 805331 | Light Switch Control #83 |
| | 805398 | Removable Back Panel 66" | 18 | N/A | Top Partition |
| 4 | 805346 | Electrical J-Box | 19 | 805406 | Grease Cup 48"-54" Hood (22.832) (2) |
| 5 | 806337 | Mount. Plate, WBLOWER120INT (included with 804702) | | 805488 | Grease Cup 60"-66" Hood (19.186) (3) |
| 6 | 805320 | Nut, 10-24 Hex Flange Lock (8) | 20 | 805334 | Baffle Filter, 11-7/8" X 11-7/8" (**) |
| 7 | 804702 | 1200 CFM Blower (***) | 21 | 805342 | 3-Hole Electrical Outlet |
| 8 | 805339 | Nut, 1/4-20 Hex Flange Lock | 22 | N/A | Lower Shroud |
| 9 | 805323 | Thermostat, Hi-Temp. Sensor | 23 | N/A | Bottom Track |
| 10 | 805324 | Electrical Terminal Block | 24 | N/A | Inner Side (Left & Right) |
| 11 | 805325 | Light Socket, Ceramic (*) | 25 | N/A | Front Cover |
| 12 | 805326 | Light Holder (*) | 26 | 806340 | Runner, 42", 54", 66", Wallhood (2) (48" & 60" Do Not Use Runners) |

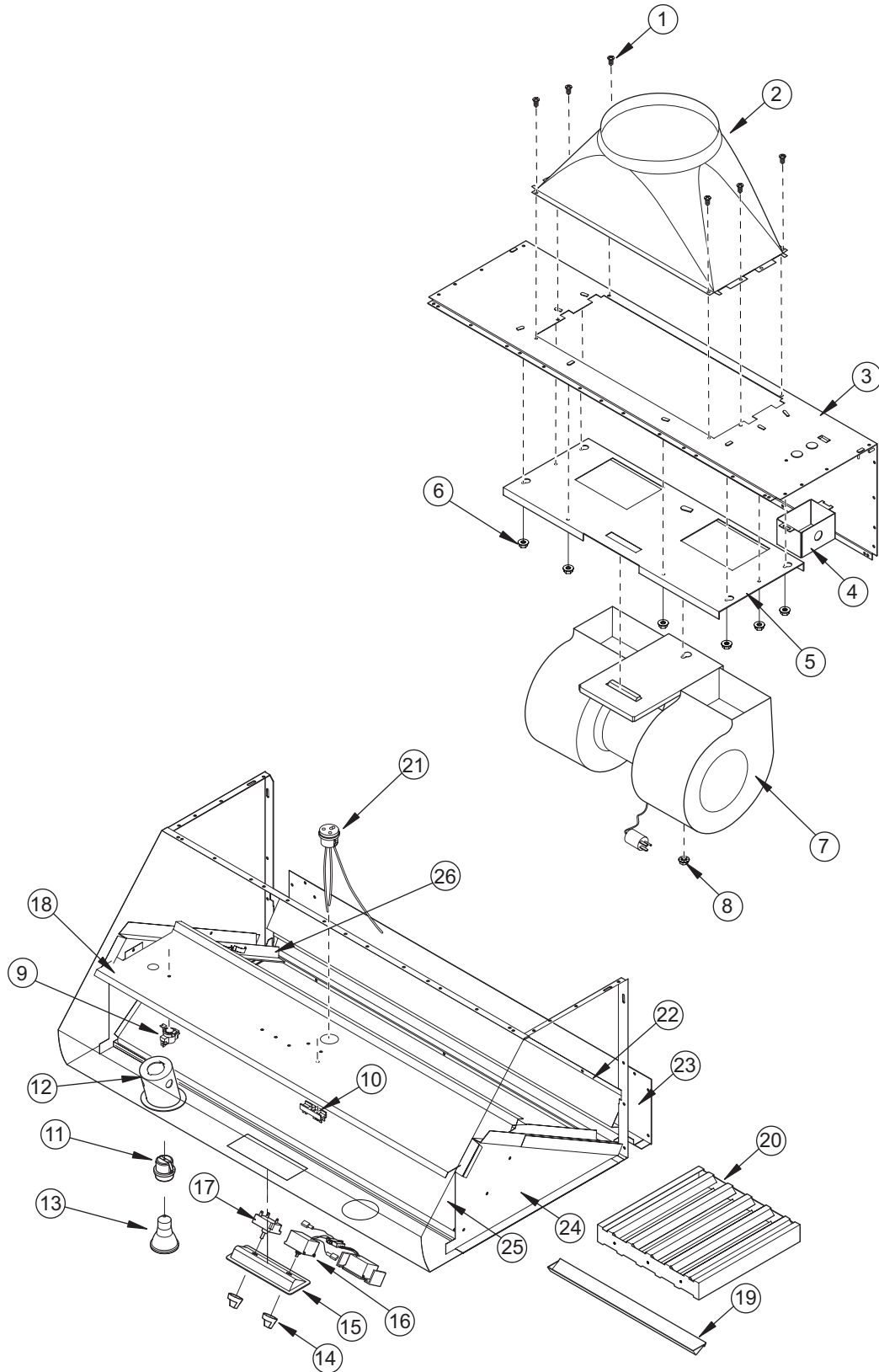
NOTES:

(*) (2) 48", 54"
(3) 60", 66"

(**) (4) 48", 54"
(5) 60", 66" wide

(***) Not Included with Hood (Sold Separately)

MODEL W482418, W542418, W602418, W662418 EXPLODED VIEW



NOTE: Can use 1200 CFM internal blower with these models (not included), or remote blower (not included).